

CAT4139AEVB

CAT4139 LED Driver Evaluation Board User's Manual



ON Semiconductor®

<http://onsemi.com>

Introduction

This document describes the CAT4139AEVB evaluation board for the CAT4139 high efficiency step-up LED driver. The CAT4139 delivers an accurate constant current ideal for driving LEDs.

EVAL BOARD USER'S MANUAL

Schematic

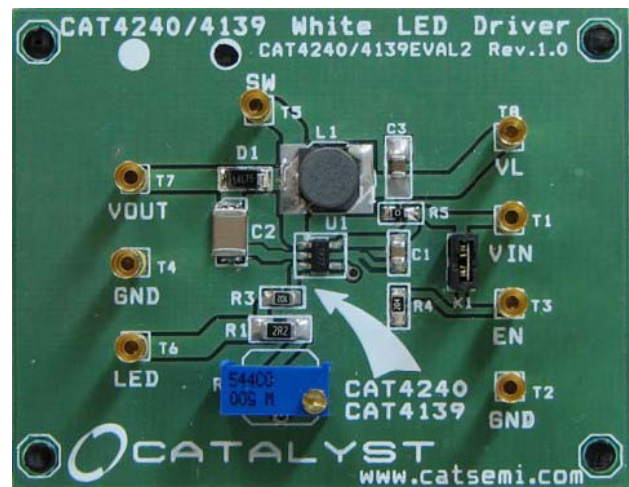
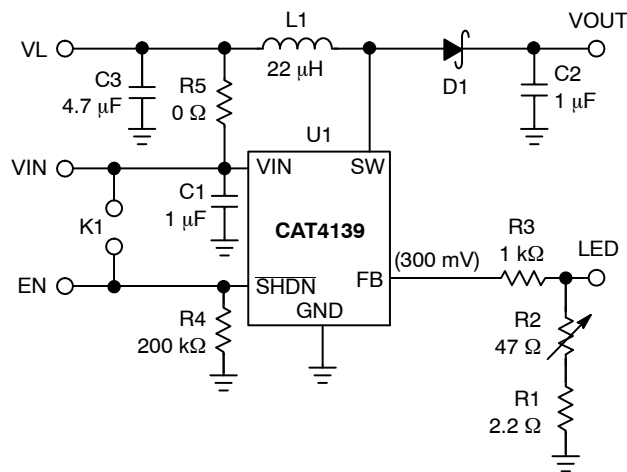


Figure 1. CAT4139AEVB Schematic

Figure 2. CAT4139AEVB Board

Table 1. BILL OF MATERIALS

Name	Manufacturer	Description	Part Number	Units
U1	ON Semiconductor, Catalyst Group	High Efficiency Boost LED Driver, SOT23-5	CAT4139	1
C1	Taiyo Yuden	Ceramic Capacitor 1.0 μF/6.3 V X5R, Size 0805	JMK212BJ105KK-T	1
C2	Taiyo Yuden	Ceramic Capacitor 1.0 μF/50 V X7R, Size 1210	UMK325BJ105KH-T	1
C3	Taiyo Yuden	Ceramic Capacitor 4.7 μF/6.3 V X5R, Size 0805	JMK212BJ475KD-T	1
D1	TSC	Schottky Diode 40 V/1 A, Sub SMA	SS14L	1
L1	NIC	Inductor 22 μH/0.7 A	NPIS43D220MTRF	1
R1	Panasonic	SMT Resistor 2.2 Ω/250 mW, Size 1206	ERJ-8GEYJ2R2V	1
R2	Vishay	Trim Pot 200 Ω/500 mW, Multi-Turn	T93YA470KT20	1
R3	Yageo	SMT Resistor 1 kΩ/100 mW, Size 0603	RC0603FR-071KL	1
R4	Yageo	SMT Resistor 200 kΩ/100 mW, Size 0603	RC0603FR-07200KL	1
R5	Yageo	SMT Resistor 0 Ω/125 mW, Size 0805	RC0805JR-070RL	1
K1	Tyco	2 Pin Header Connector 0.1" Pitch	640452-2	1

ON Semiconductor and the ON Semiconductor logo are trademarks of Semiconductor Components Industries, LLC dba ON Semiconductor or its subsidiaries in the United States and/or other countries. ON Semiconductor owns the rights to a number of patents, trademarks, copyrights, trade secrets, and other intellectual property. A listing of ON Semiconductor's product/patent coverage may be accessed at www.onsemi.com/site/pdf/Patent-Marking.pdf. ON Semiconductor is an Equal Opportunity/Affirmative Action Employer. This literature is subject to all applicable copyright laws and is not for resale in any manner.

The evaluation board/kit (research and development board/kit) (hereinafter the "board") is not a finished product and is as such not available for sale to consumers. The board is only intended for research, development, demonstration and evaluation purposes and should as such only be used in laboratory/development areas by persons with an engineering/technical training and familiar with the risks associated with handling electrical/mechanical components, systems and subsystems. This person assumes full responsibility/liability for proper and safe handling. Any other use, resale or redistribution for any other purpose is strictly prohibited.

The board is delivered "AS IS" and without warranty of any kind including, but not limited to, that the board is production-worthy, that the functions contained in the board will meet your requirements, or that the operation of the board will be uninterrupted or error free. ON Semiconductor expressly disclaims all warranties, express, implied or otherwise, including without limitation, warranties of fitness for a particular purpose and non-infringement of intellectual property rights.

ON Semiconductor reserves the right to make changes without further notice to any board.

You are responsible for determining whether the board will be suitable for your intended use or application or will achieve your intended results. Prior to using or distributing any systems that have been evaluated, designed or tested using the board, you agree to test and validate your design to confirm the functionality for your application. Any technical, applications or design information or advice, quality characterization, reliability data or other services provided by ON Semiconductor shall not constitute any representation or warranty by ON Semiconductor, and no additional obligations or liabilities shall arise from ON Semiconductor having provided such information or services.

The boards are not designed, intended, or authorized for use in life support systems, or any FDA Class 3 medical devices or medical devices with a similar or equivalent classification in a foreign jurisdiction, or any devices intended for implantation in the human body. Should you purchase or use the board for any such unintended or unauthorized application, you shall indemnify and hold ON Semiconductor and its officers, employees, subsidiaries, affiliates, and distributors harmless against all claims, costs, damages, and expenses, and reasonable attorney fees arising out of, directly or indirectly, any claim of personal injury or death associated with such unintended or unauthorized use, even if such claim alleges that ON Semiconductor was negligent regarding the design or manufacture of the board.

This evaluation board/kit does not fall within the scope of the European Union directives regarding electromagnetic compatibility, restricted substances (RoHS), recycling (WEEE), FCC, CE or UL, and may not meet the technical requirements of these or other related directives.

FCC WARNING – This evaluation board/kit is intended for use for engineering development, demonstration, or evaluation purposes only and is not considered by ON Semiconductor to be a finished end product fit for general consumer use. It may generate, use, or radiate radio frequency energy and has not been tested for compliance with the limits of computing devices pursuant to part 15 of FCC rules, which are designed to provide reasonable protection against radio frequency interference. Operation of this equipment may cause interference with radio communications, in which case the user shall be responsible, at its expense, to take whatever measures may be required to correct this interference.

ON Semiconductor does not convey any license under its patent rights nor the rights of others.

LIMITATIONS OF LIABILITY: ON Semiconductor shall not be liable for any special, consequential, incidental, indirect or punitive damages, including, but not limited to the costs of requalification, delay, loss of profits or goodwill, arising out of or in connection with the board, even if ON Semiconductor is advised of the possibility of such damages. In no event shall ON Semiconductor's aggregate liability from any obligation arising out of or in connection with the board, under any theory of liability, exceed the purchase price paid for the board, if any.

For more information and documentation, please visit www.onsemi.com.

PUBLICATION ORDERING INFORMATION

LITERATURE FULFILLMENT:

Email Requests to: orderlit@onsemi.com

ON Semiconductor Website: www.onsemi.com

TECHNICAL SUPPORT

North American Technical Support:

Voice Mail: 1 800-282-9855 Toll Free USA/Canada

Phone: 011 421 33 790 2910

Europe, Middle East and Africa Technical Support:

Phone: 00421 33 790 2910

For additional information, please contact your local Sales Representative