

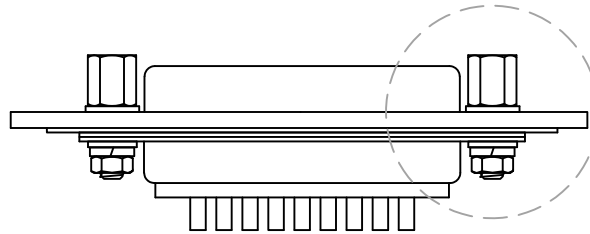
DESCRIPTION: IP67 PANEL MOUNTING KIT - SMALLER TEFLON WASHER

TYPE "A" KIT (BAG) INCLUDES:

- 2 - 4-40 UNC-2B MOUNTING SCREWS
- 2 - TEFLON FLAT WASHERS
- 2 - 4-40 FLAT WASHERS
- 2 - 4-40 LOCK WASHERS
- 2 - 4-40 NUTS

TYPE "B" KIT (BAG) INCLUDES:

- 2 - 4-40 UNC-2B MOUNTING SCREWS
- 2 - TEFLON FLAT WASHERS



TYPE "C" KIT INCLUDES: 500 SETS MOQ

- 1 - BAG OF 1000 - 4-40 UNC-2B MOUNTING SCREWS
- 1 - BAG OF 1000 - TEFLON FLAT WASHERS
- 1 - BAG OF 1000 - 4-40 FLAT WASHERS
- 1 - BAG OF 1000 - 4-40 LOCK WASHERS
- 1 - BAG OF 1000 - 4-40 NUTS

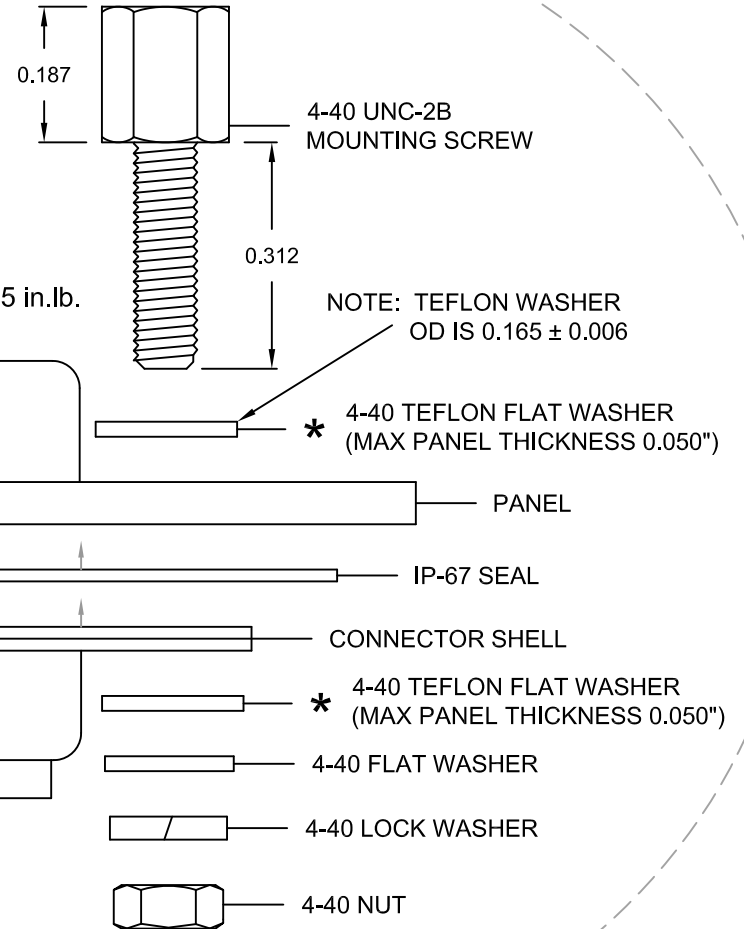
TYPE "D" KIT INCLUDES: 500 SETS MOQ

- 1 - BAG OF 1000 - 4-40 UNC-2B MOUNTING SCREWS
- 1 - BAG OF 1000 - TEFLON FLAT WASHERS

KIT TYPE	PART NUMBER
A	160-067-S10R033
B	160-067-S20R033
C	160-067-S10RB33
D	160-067-S20RB33

NOTE:
MAX. TORQUE = 3.75 in.lb.

IP-67 SEAL
PURCHASED
SEPARATELY



* NOTE: TEFLON WASHER PLACEMENT
USE ONE LOCATION; NOT BOTH

RoHS COMPLIANT



THESE DRAWINGS AND SPECIFICATIONS ARE THE PROPERTY OF NorComp AND SHALL NOT BE REPRODUCED, COPIED OR USED AS THE BASIS FOR THE MANUFACTURE OF SALE OF APPARATUS WITHOUT WRITTEN PERMISSION.

DRAWN: M. SIGMON		DATE: 10-01-12	
SCALE: N.T.S.	SHEET 1	OF 1	REV 1
DWG NO. 160-067-SY0R033			

NorComp