

● Carrier tape

(mm)

Fig.1 For $\phi 3$ to $\phi 10$

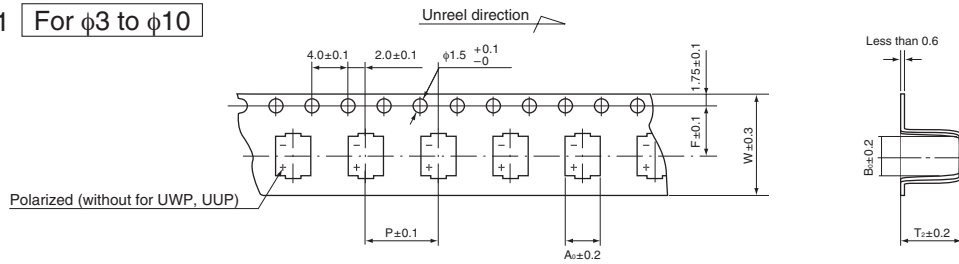
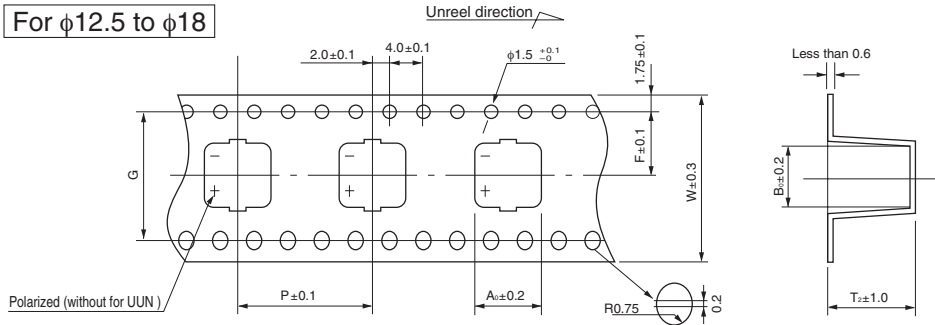


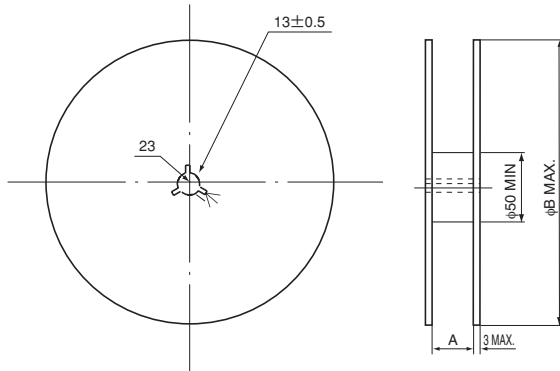
Fig.2 For $\phi 12.5$ to $\phi 18$



Size	Item							G	fig.	Type - Series		
	W	P	F	A ₀	B ₀	T ₂						
$\phi 5 \times 6$ L	12.0	12.0	5.5	5.7	5.7	6.3	—	1	PCF, PCJ, PCK, PCG, PCS, PCL, PCV, PCX, PCR, PCH, PCZ (Conductive Polymer Aluminum Solid Electrolytic Capacitors)			
$\phi 6.3 \times 5.5$ L	16.0	12.0	7.5	7.0	7.0	5.7						
$\phi 6.3 \times 6$ L	16.0	12.0	7.5	7.0	7.0	6.3						
$\phi 6.3 \times 8$ L	16.0	12.0	7.5	7.0	7.0	8.2						
$\phi 8 \times 7$ L	24.0	12.0	11.5	8.7	8.7	7.3						
$\phi 8 \times 8$ L	24.0	12.0	11.5	8.7	8.7	8.3						
$\phi 8 \times 10$ L	24.0	16.0	11.5	8.7	8.7	11.0						
$\phi 8 \times 10.5$ L	24.0	16.0	11.5	8.7	8.7	11.0						
$\phi 8 \times 12$ L	24.0	16.0	11.5	8.7	8.7	12.3						
$\phi 10 \times 8$ L	24.0	16.0	11.5	10.7	10.7	8.3						
$\phi 10 \times 10$ L	24.0	16.0	11.5	10.7	10.7	11.0						
$\phi 10 \times 10.5$ L	24.0	16.0	11.5	10.7	10.7	11.0						
$\phi 10 \times 12.7$ L	24.0	16.0	11.5	10.7	10.7	12.8						
$\phi 10 \times 13.2$ L	24.0	16.0	11.5	10.7	10.7	13.5						
$\phi 6.3 \times 5.8$ L	16.0	12.0	7.5	7.0	7.0	6.3				—	1	GYA, GYB, GYC (Conductive Polymer Hybrid Aluminum Electrolytic Capacitors)
$\phi 6.3 \times 7.7$ L	16.0	12.0	7.5	7.0	7.0	8.0						
$\phi 8 \times 10$ L	24.0	16.0	11.5	8.7	8.7	11.0						
$\phi 10 \times 10$ L	24.0	16.0	11.5	10.7	10.7	11.0				—	1	UZR, UZG
$\phi 4 \times 3.9$ L	12.0	8.0	5.5	4.7	4.7	4.3						
$\phi 5 \times 3.9$ L	12.0	12.0	5.5	5.7	5.7	4.3						
$\phi 6.3 \times 3.9$ L	16.0	12.0	7.5	7.0	7.0	4.4	—	1	UZS, UZT, UCQ			
$\phi 4 \times 4.5$ L	12.0	8.0	5.5	4.7	4.7	4.9						
$\phi 5 \times 4.5$ L	12.0	12.0	5.5	5.7	5.7	4.9						
$\phi 6.3 \times 4.5$ L	16.0	12.0	7.5	7.0	7.0	5.0	—	1	UWX, UWR, UWJ, UWP, UWT, UWZ, UWF, UWG, UUQ			
$\phi 4 \times 5.4$ L	12.0	8.0	5.5	4.7	4.7	5.8						
$\phi 5 \times 5.4$ L	12.0	12.0	5.5	5.7	5.7	5.8						
$\phi 6.3 \times 5.4$ L	16.0	12.0	7.5	7.0	7.0	5.8	—	1	UWT, UWZ, UUT, UUP, UCD, UCL, UCM, UUD, UWD, UUR, UWS, UUA, UUL			
$\phi 4 \times 5.8$ L	12.0	8.0	5.5	4.7	4.7	6.3						
$\phi 5 \times 5.8$ L	12.0	12.0	5.5	5.7	5.7	6.3						
$\phi 6.3 \times 5.8$ L	16.0	12.0	7.5	7.0	7.0	6.3	—	1	UWT, UWZ, UWF, UWG, UUA, UUL, UCB, UCW, UCD, UCL, UCM, UCV, UUD, UWD, UUB, UWH, ULT, ULH, UCJ, UCZ, UCH, UCX, UUR, UUX, ULR, ULV, UUQ, UCQ, UUE, UBC			
$\phi 4 \times 7$ L	12.0	8.0	5.5	4.7	4.7	7.5						
$\phi 5 \times 7$ L	16.0	12.0	7.5	5.7	5.7	7.5						
$\phi 6.3 \times 7$ L	16.0	12.0	7.5	7.0	7.0	7.5						
$\phi 6.3 \times 7.7$ L	16.0	12.0	7.5	7.0	7.0	8.0						
$\phi 6.3 \times 8.7$ L	16.0	12.0	7.5	7.0	7.0	9.1						
$\phi 6.3 \times 10$ L	16.0	12.0	7.5	7.0	7.0	11.4						
$\phi 8 \times 6.2$ L	16.0	12.0	7.5	8.7	8.7	6.8						
$\phi 8 \times 10$ L	24.0	16.0	11.5	8.7	8.7	11.0						
$\phi 10 \times 7.7$ L	24.0	16.0	11.5	10.7	10.7	8.4						
$\phi 10 \times 10$ L	24.0	16.0	11.5	10.7	10.7	11.0						
$\phi 10 \times 13.5$ L	24.0	16.0	11.5	10.7	10.7	14.1						
$\phi 12.5 \times 13.5$ L	32.0	24.0	14.2	14.0	14.0	14.0				28.4	2	UCD, UCX, UCZ, UUG, UUU, UUN, UUE, UBC
$\phi 12.5 \times 16$ L	32.0	24.0	14.2	14.0	14.0	16.3				28.4		
$\phi 12.5 \times 21$ L	32.0	24.0	14.2	14.0	14.0	21.3	28.4					
$\phi 16 \times 16.5$ L	44.0	28.0	20.2	17.5	17.5	16.8	40.4					
$\phi 16 \times 21.5$ L	44.0	28.0	20.2	17.5	17.5	21.8	40.4					
$\phi 18 \times 16.5$ L	44.0	32.0	20.2	19.5	19.5	16.8	40.4					
$\phi 18 \times 21.5$ L	44.0	32.0	20.2	19.5	19.5	21.8	40.4					

● Reel ※ Please refer to page 28 about the FPCAP product spec.

(mm)



Package quantity

φD, φD × L	Q'ty / reel
4	2,000pcs.
4 × 7	1,500pcs.
5, 6.3	1,000pcs.
6.3 × 7.7, 6.3 × 8, 8 × 8	900pcs.
6.3 × 8.7	800pcs.
6.3 × 10	600pcs.
8 × 5.4, 8 × 6.2, 8 × 7	1,000pcs.
8 × 10, 8 × 10.5, 10 × 7.7, 10 × 8, 10 × 10, 10 × 10.5	500pcs.
8 × 12, 10 × 12.7, 10 × 13.2, 10 × 13.5	400pcs.
12.5 × 13.5	200pcs.
12.5 × 16	150pcs.
12.5 × 21, 16 × 16.5, 18 × 16.5	125pcs.
16 × 21.5, 18 × 21.5	75pcs.

Conductive Polymer Aluminum Solid Electrolytic Capacitors

φD	5	6.3	8	10
A	14	18	26	
B	382			

Conductive Polymer Hybrid Aluminum Electrolytic Capacitors

φD	6.3	8	10
A	18	26	
B	382		

Aluminum Electrolytic Capacitors

φD	4	5×3, 5×3.9, 5×4.5, 5×5.4, 5×5.8	5×7	6.3	8×5.4, 8×6.2	8×7, 8×10, 10×7.7, 10×8, 10×10, 10×13.5	12.5	16, 18
A	14	14		18	18	18	26	34, 46
B	382	382		382	382	382	382	332, 332

Optional tray packaging for chip type (φ12.5 to φ18) available upon request, please ask for details.

FPCAP Packing Unit Quantity for Reel (SMD Type)

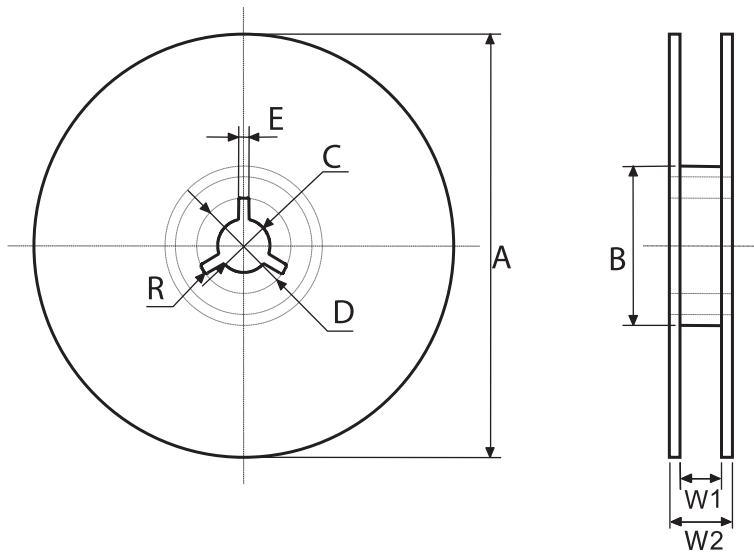
RPS, RPA, RHS, RHA, RSS, RSA, RSB, RFS, RFA, RSL

Components are packaged as per following packing unit.

● Packing Quantity (Reel)

Case Size φD×L (mm)	Packing Unit (pcs)
φ4×5.2	2,000
φ5×5.7	1,000
φ6.3×4.2	1,000
φ6.3×5.7	1,000
φ6.3×7.7	900
φ8×6.7	1,000
φ8×7.7	900
φ8×8.7	500
φ8×11.7	500
φ10×7.7	500
φ10×12.4	400

Note : Please inquire for FPCAP by Packing Unit as above.



[Unit : mm]

Size (dia)	A ± 2.0	B ± 1.0	C ± 0.5	D ± 1.0	E ± 0.5	W1 ± 1.0	W2 ± 1.0	R
φ4, φ5	380	80	13.0	21	2.0	13.4	17.4	1.0
φ6.3	380	80	13.0	21	2.0	17.4	21.4	1.0
φ8, φ10	380	80	13.0	21	2.0	25.4	29.4	1.0