

# DATA SHEET

For a complete data sheet, please also download:

- The IC06 74HC/HCT/HCU/HCMOS Logic Family Specifications
- The IC06 74HC/HCT/HCU/HCMOS Logic Package Information
- The IC06 74HC/HCT/HCU/HCMOS Logic Package Outlines

## **74HC/HCT93** 4-bit binary ripple counter

Product specification  
File under Integrated Circuits, IC06

December 1990

## 4-bit binary ripple counter

## 74HC/HCT93

## FEATURES

- Various counting modes
- Asynchronous master reset
- Output capability: standard
- I<sub>CC</sub> category: MSI

## GENERAL DESCRIPTION

The 74HC/HCT93 are high-speed Si-gate CMOS devices and are pin compatible with low power Schottky TTL (LSTTL). They are specified in compliance with JEDEC standard no. 7A.

The 74HC/HCT93 are 4-bit binary ripple counters. The devices consist of four master-slave flip-flops internally connected to provide a

divide-by-two section and a divide-by-eight section. Each section has a separate clock input ( $\overline{CP}_0$  and  $\overline{CP}_1$ ) to initiate state changes of the counter on the HIGH-to-LOW clock transition. State changes of the Q<sub>n</sub> outputs do not occur simultaneously because of internal ripple delays. Therefore, decoded output signals are subject to decoding spikes and should not be used for clocks or strobes.

A gated AND asynchronous master reset (MR<sub>1</sub> and MR<sub>2</sub>) is provided which overrides both clocks and resets (clears) all flip-flops.

Since the output from the divide-by-two section is not internally connected to the succeeding stages,

the device may be operated in various counting modes. In a 4-bit ripple counter the output Q<sub>0</sub> must be connected externally to input  $\overline{CP}_1$ . The input count pulses are applied to clock input  $\overline{CP}_0$ . Simultaneous frequency divisions of 2, 4, 8 and 16 are performed at the Q<sub>0</sub>, Q<sub>1</sub>, Q<sub>2</sub> and Q<sub>3</sub> outputs as shown in the function table. As a 3-bit ripple counter the input count pulses are applied to input  $\overline{CP}_1$ .

Simultaneous frequency divisions of 2, 4 and 8 are available at the Q<sub>1</sub>, Q<sub>2</sub> and Q<sub>3</sub> outputs. Independent use of the first flip-flop is available if the reset function coincides with reset of the 3-bit ripple-through counter.

## QUICK REFERENCE DATA

GND = 0 V; T<sub>amb</sub> = 25 °C; t<sub>r</sub> = t<sub>f</sub> = 6 ns

SYMBOL	PARAMETER	CONDITIONS	TYPICAL		UNIT
			HC	HCT	
t <sub>PHL</sub> / t <sub>PLH</sub>	propagation delay $\overline{CP}_0$ to Q <sub>0</sub>	C <sub>L</sub> = 15 pF; V <sub>CC</sub> = 5 V	12	15	ns
f <sub>max</sub>	maximum clock frequency		100	77	MHz
C <sub>I</sub>	input capacitance		3.5	3.5	pF
C <sub>PD</sub>	power dissipation capacitance per package	notes 1 and 2	22	22	pF

## Notes

1. C<sub>PD</sub> is used to determine the dynamic power dissipation (P<sub>D</sub> in μW):

$$P_D = C_{PD} \times V_{CC}^2 \times f_i + \sum (C_L \times V_{CC}^2 \times f_o) \text{ where:}$$

f<sub>i</sub> = input frequency in MHz; f<sub>o</sub> = output frequency in MHz

∑ (C<sub>L</sub> × V<sub>CC</sub><sup>2</sup> × f<sub>o</sub>) = sum of outputs

C<sub>L</sub> = output load capacitance in pF; V<sub>CC</sub> = supply voltage in V

2. For HC the condition is V<sub>I</sub> = GND to V<sub>CC</sub>; for HCT the condition is V<sub>I</sub> = GND to V<sub>CC</sub> – 1.5 V

## ORDERING INFORMATION

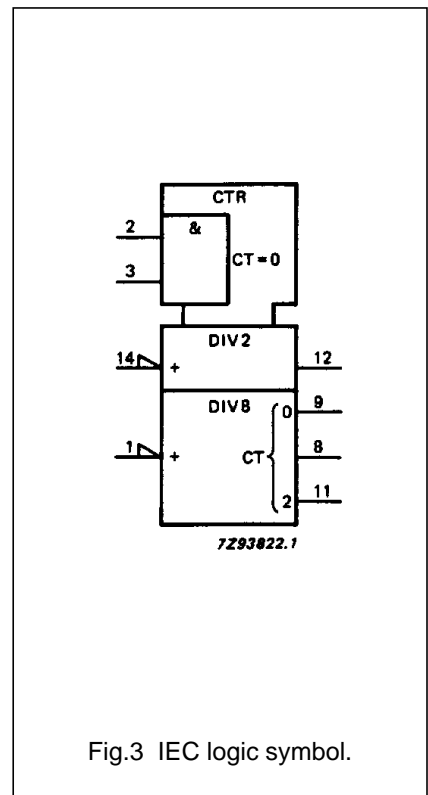
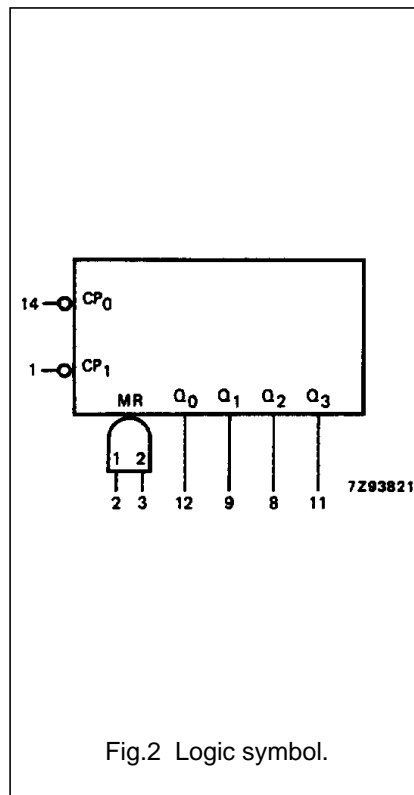
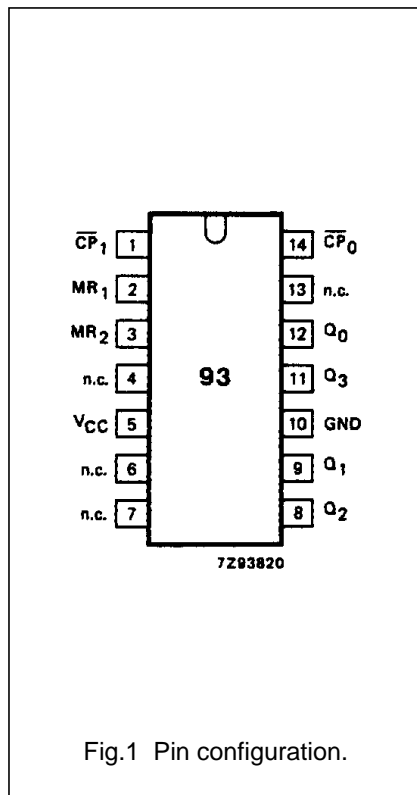
See "74HC/HCT/HCU/HCMOS Logic Package Information".

4-bit binary ripple counter

74HC/HCT93

PIN DESCRIPTION

PIN NO.	SYMBOL	NAME AND FUNCTION
1	$\overline{CP}_1$	clock input 2 <sup>nd</sup> , 3 <sup>rd</sup> and 4 <sup>th</sup> section (HIGH-to-LOW, edge-triggered)
2, 3	MR <sub>1</sub> , MR <sub>2</sub>	asynchronous master reset (active HIGH)
4, 6, 7, 13	n.c.	not connected
5	V <sub>CC</sub>	positive supply voltage
10	GND	ground (0 V)
12, 9, 8, 11	Q <sub>0</sub> to Q <sub>3</sub>	flip-flop outputs
14	$\overline{CP}_0$	clock input 1 <sup>st</sup> section (HIGH-to-LOW, edge-triggered)



# 4-bit binary ripple counter

# 74HC/HCT93

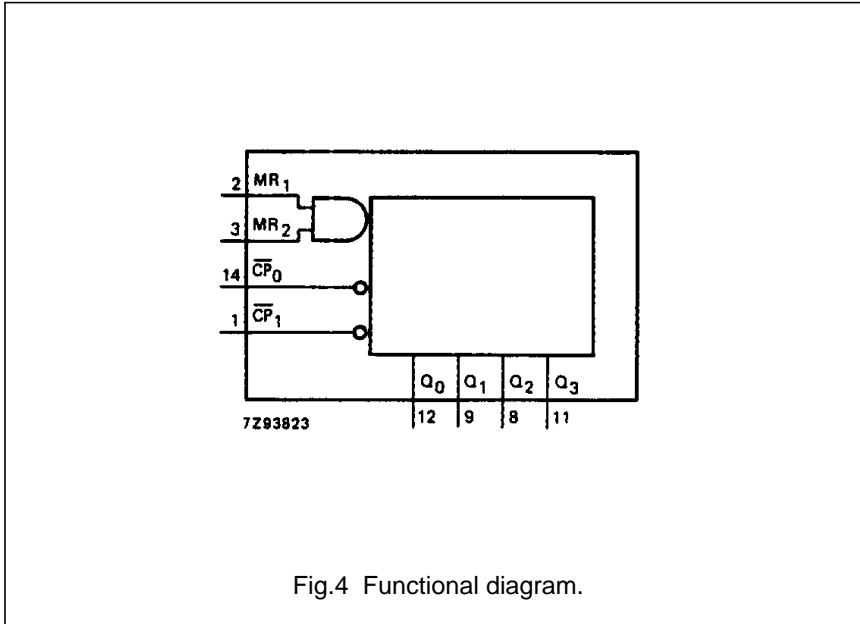


Fig.4 Functional diagram.

### FUNCTION TABLE

COUNT	OUTPUTS			
	Q <sub>0</sub>	Q <sub>1</sub>	Q <sub>2</sub>	Q <sub>3</sub>
0	L	L	L	L
1	H	L	L	L
2	L	H	L	L
3	H	H	L	L
4	L	L	H	L
5	H	L	H	L
6	L	H	H	L
7	H	H	H	L
8	L	L	L	H
9	H	L	L	H
10	L	H	L	H
11	H	H	L	H
12	L	L	H	H
13	H	L	H	H
14	L	H	H	H
15	H	H	H	H

### Notes

- Output Q<sub>0</sub> connected to  $\overline{CP}_1$ .  
 H = HIGH voltage level  
 L = LOW voltage level

### MODE SELECTION

RESET INPUTS		OUTPUTS			
MR <sub>1</sub>	MR <sub>2</sub>	Q <sub>0</sub>	Q <sub>1</sub>	Q <sub>2</sub>	Q <sub>3</sub>
H	H	L	L	L	L
L	H	count			
H	L	count			
L	L	count			

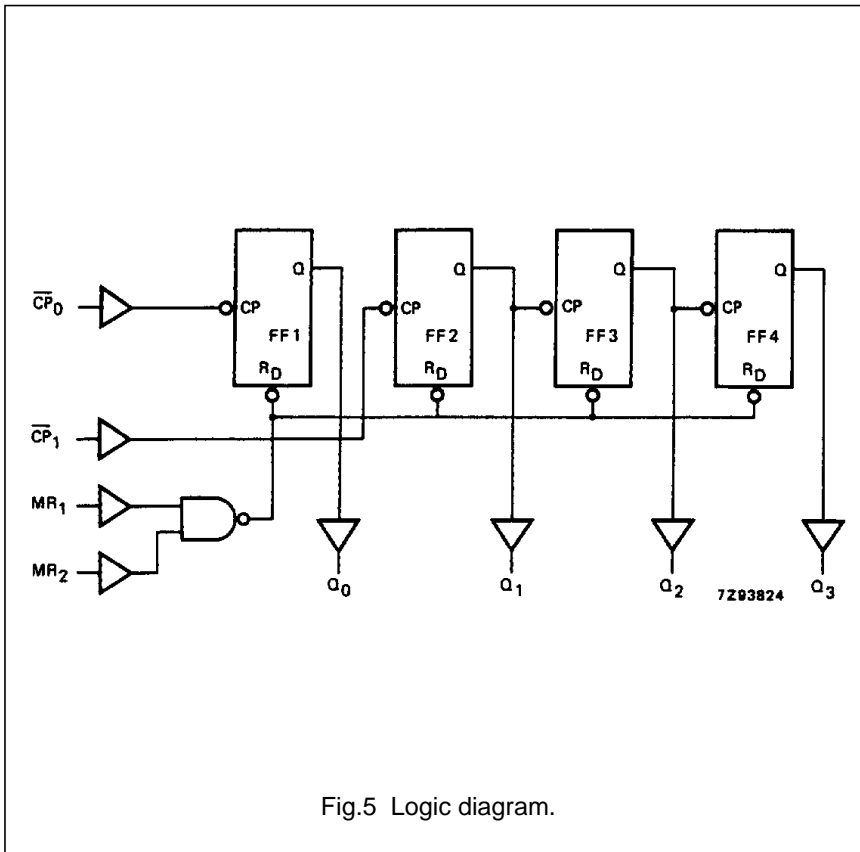


Fig.5 Logic diagram.

## 4-bit binary ripple counter

## 74HC/HCT93

**DC CHARACTERISTICS FOR 74HC**

For the DC characteristics see *"74HC/HCT/HCU/HCMOS Logic Family Specifications"*.

Output capability: standard

I<sub>CC</sub> category: MSI

**AC CHARACTERISTICS FOR 74HC**

GND = 0 V; t<sub>r</sub> = t<sub>f</sub> = 6 ns; C<sub>L</sub> = 50 pF

SYMBOL	PARAMETER	T <sub>amb</sub> (°C)							UNIT	TEST CONDITIONS	
		74HC								V <sub>CC</sub> (V)	WAVEFORMS
		+25			-40 to +85		-40 to +125				
		min.	typ.	max.	min.	max.	min.	max.			
t <sub>PHL</sub> / t <sub>PLH</sub>	propagation delay CP <sub>0</sub> to Q <sub>0</sub>		41 15 12	125 25 21		155 31 26		190 38 32	ns	2.0 4.5 6.0	Fig.6
t <sub>PHL</sub> / t <sub>PLH</sub>	propagation delay CP <sub>1</sub> to Q <sub>1</sub>		49 16 13	135 27 23		170 34 29		205 41 35	ns	2.0 4.5 6.0	Fig.6
t <sub>PHL</sub> / t <sub>PLH</sub>	propagation delay CP <sub>1</sub> to Q <sub>2</sub>		61 22 18	185 37 31		230 46 39		280 56 48	ns	2.0 4.5 6.0	Fig.6
t <sub>PHL</sub> / t <sub>PLH</sub>	propagation delay CP <sub>1</sub> to Q <sub>3</sub>		80 29 23	245 49 42		305 61 52		370 71 63	ns	2.0 4.5 6.0	Fig.6
t <sub>PHL</sub>	propagation delay MR <sub>n</sub> to Q <sub>n</sub>		50 18 14	155 31 26		195 39 33		235 47 40	ns	2.0 4.5 6.0	Fig.7
t <sub>THL</sub> / t <sub>TLH</sub>	output transition time		19 7 6	75 15 13		95 19 16		110 22 19	ns	2.0 4.5 6.0	Fig.6
t <sub>rem</sub>	removal time MR <sub>n</sub> to CP <sub>0</sub> , CP <sub>1</sub>	50 10 9	8 3 2		65 13 11		75 15 13		ns	2.0 4.5 6.0	Fig.7
t <sub>w</sub>	pulse width CP <sub>0</sub> , CP <sub>1</sub>	80 16 14	14 5 4		100 20 17		120 24 20		ns	2.0 4.5 6.0	Fig.6
t <sub>w</sub>	master reset pulse width MR <sub>n</sub>	80 16 14	14 5 4		100 20 17		120 24 20		ns	2.0 4.5 6.0	Fig.7
f <sub>max</sub>	maximum clock pulse frequency CP <sub>0</sub> , CP <sub>1</sub>	6.0 30 35	30 91 108		4.8 24 28		4.0 20 24		MHz	2.0 4.5 6.0	Fig.6

## 4-bit binary ripple counter

## 74HC/HCT93

**DC CHARACTERISTICS FOR 74HCT**

For the DC characteristics see *"74HC/HCT/HCU/HCMOS Logic Family Specifications"*.

Output capability: standard

I<sub>CC</sub> category: MSI

**Note to HCT types**

The value of additional quiescent supply current ( $\Delta I_{CC}$ ) for a unit load of 1 is given in the family specifications. To determine  $\Delta I_{CC}$  per input, multiply this value by the unit load coefficient shown in the table below.

INPUT	UNIT LOAD COEFFICIENT
$\overline{CP}_0, \overline{CP}_1$	0.60
$MR_n$	0.40

**AC CHARACTERISTICS FOR 74HCT**

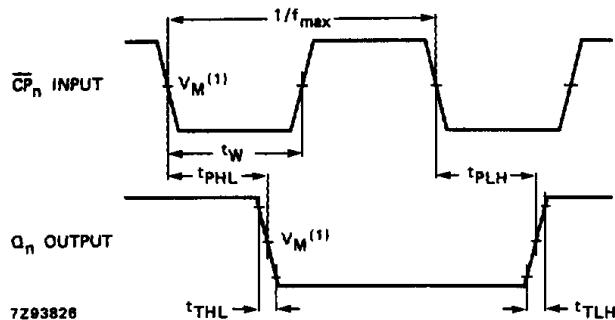
GND = 0 V;  $t_r = t_f = 6$  ns;  $C_L = 50$  pF

SYMBOL	PARAMETER	T <sub>amb</sub> (°C)							UNIT	TEST CONDITIONS	
		74HCT								V <sub>CC</sub> (V)	WAVEFORMS
		+25			-40 to +85		-40 to +125				
		min.	typ.	max.	min.	max.	min.	max.			
t <sub>PHL</sub> / t <sub>PLH</sub>	propagation delay $\overline{CP}_0$ to Q <sub>0</sub>		18	34		43		51	ns	4.5	Fig.6
t <sub>PHL</sub> / t <sub>PLH</sub>	propagation delay CP <sub>1</sub> to Q <sub>1</sub>		18	34		43		51	ns	4.5	Fig.6
t <sub>PHL</sub> / t <sub>PLH</sub>	propagation delay $\overline{CP}_1$ to Q <sub>2</sub>		24	46		58		69	ns	4.5	Fig.6
t <sub>PHL</sub> / t <sub>PLH</sub>	propagation delay $\overline{CP}_1$ to Q <sub>3</sub>		30	58		73		87	ns	4.5	Fig.6
t <sub>PHL</sub>	propagation delay MR <sub>n</sub> to Q <sub>n</sub>		17	33		41		50	ns	4.5	Fig.7
t <sub>THL</sub> / t <sub>TLH</sub>	output transition time		7	15		19		22	ns	4.5	Fig.6
t <sub>rem</sub>	removal time MR <sub>n</sub> to $\overline{CP}_0, \overline{CP}_1$	10	3		13		15		ns	4.5	Fig.7
t <sub>w</sub>	pulse width $\overline{CP}_0, \overline{CP}_1$	16	7		20		24		ns	4.5	Fig.6
t <sub>w</sub>	master reset pulse width MR <sub>n</sub>	16	5		20		24		ns	4.5	Fig.7
f <sub>max</sub>	maximum clock pulse frequency $\overline{CP}_0, \overline{CP}_1$	30	70		24		20		MHz	4.5	Fig.6

4-bit binary ripple counter

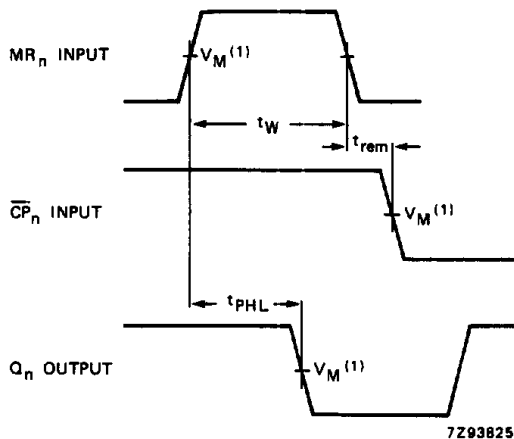
74HC/HCT93

AC WAVEFORMS



(1) HC :  $V_M = 50\%$ ;  $V_I = \text{GND to } V_{CC}$ .  
 HCT:  $V_M = 1.3 \text{ V}$ ;  $V_I = \text{GND to } 3 \text{ V}$ .

Fig.6 Waveforms showing the clock ( $\overline{CP}_n$ ) to output ( $Q_n$ ) propagation delays, the clock pulse width, output transition times and the maximum clock pulse frequency.



(1) HC :  $V_M = 50\%$ ;  $V_I = \text{GND to } V_{CC}$ .  
 HCT:  $V_M = 1.3 \text{ V}$ ;  $V_I = \text{GND to } 3 \text{ V}$ .

Fig.7 Waveforms showing the master reset ( $MR_n$ ) pulse width, the master reset to output ( $Q_n$ ) propagation delays and the master reset to clock ( $\overline{CP}_n$ ) removal time.

PACKAGE OUTLINES

See "74HC/HCT/HCU/HCMOS Logic Package Outlines".