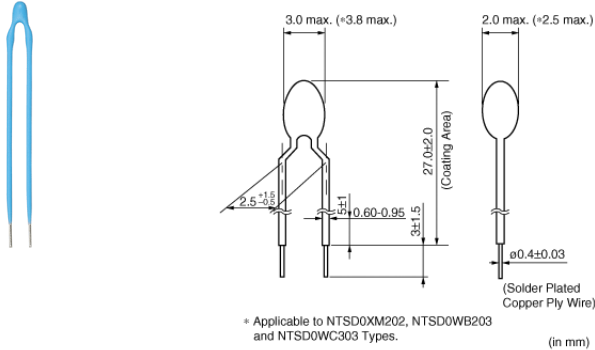


NTSD0XH103FE1B0



Appearance & Shape



Features

1. Electric insulation on lead wire
2. Excellent bending resistance due to suitable hardness of surface coating
3. Easy handling due to most suitable hardness of surface of coating
4. +/-1% of resistance and +/-0.5% of B-Constant is realized due to technical advantages of the material and manufacturing process.

Applications

Limited Usage	Consumer Grade
Other Usage	<ol style="list-style-type: none"> 1. Rechargeable batteries 2. Battery charging circuits 3. Head of printers 4. DC fan motors 5. Home appliance equipments

Packaging Information

Packaging	Specifications	Minimum Order Quantity
B0	Bulk(Bag)	500

Attention

- 1.This datasheet is downloaded from the website of Murata Manufacturing Co., Ltd. Therefore, it's specifications are subject to change or our products in it may be discontinued without advance notice. Please check with our sales representatives or product engineers before ordering.
- 2.This datasheet has only typical specifications because there is no space for detailed specifications.
Therefore, please review our product specifications or consult the approval sheet for product specifications before ordering.

NTSD0XH103FE1B0



Specifications

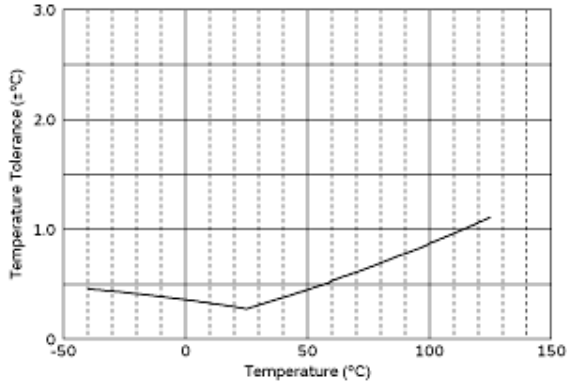
Resistance (25°C)	10kΩ
Resistance Value Tolerance (at 25°C)	±1%
B-Constant (25/50°C)	3380K
B-Constant (25/50°C) Tolerance	±0.5%
B-Constant(25/80°C)(Reference Value)	3428K
B-Constant(25/85°C)(Reference Value)	3434K
B-Constant(25/100°C)(Reference Value)	3455K
Maximum Operating Current (25°C)	0.12mA
Rated Electric Power (25°C)	15.0mW
Typical Dissipation Constant (25°C)	1.5mW/°C
Thermal Time Constant	7s
Operating Temperature Range	-40°C to 125°C
Lead Shape	Insulation type
Shape	Lead
Mass	0.13g

Attention

- 1.This datasheet is downloaded from the website of Murata Manufacturing Co., Ltd. Therefore, it's specifications are subject to change or our products in it may be discontinued without advance notice. Please check with our sales representatives or product engineers before ordering.
- 2.This datasheet has only typical specifications because there is no space for detailed specifications.
Therefore, please review our product specifications or consult the approval sheet for product specifications before ordering.

NTSD0XH103FE1B0

Product Data



Temperature Tolerance-Temperature Characteristics

Attention

- 1.This datasheet is downloaded from the website of Murata Manufacturing Co., Ltd. Therefore, it's specifications are subject to change or our products in it may be discontinued without advance notice. Please check with our sales representatives or product engineers before ordering.
- 2.This datasheet has only typical specifications because there is no space for detailed specifications.
Therefore, please review our product specifications or consult the approval sheet for product specifications before ordering.