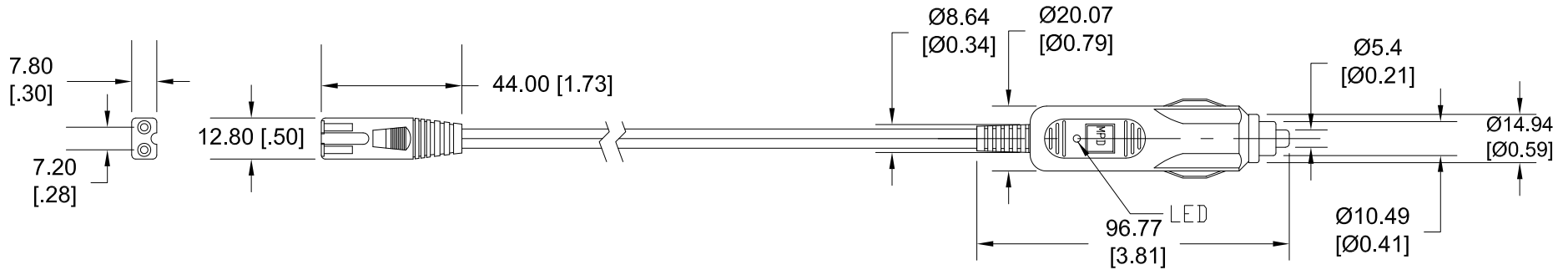


Date	SYM	REVISION RECORD	AUTH	DR.	CK.
6/25/10	A	Added front view of plug	T.B.	B.S.	
11/07/14	B	Updated to ROHS 2 Compliant	T.B.	B.S.	
06/16/17	C	Updated Fuse Specification	T.B.	B.S.	



ROHS 2 COMPLIANT

BILL OF MATERIAL

PART #	QTY.	DESCRIPTION
APP-001	1	CIGARETTE PLUG FOR 21 OR 22.2mm DIA. SOCKETS
FUSE	1	3AG (6.35 x 30mm), 3 AMP.
CORD	1	5' LONG, 20 AWG, 105°C, UL-VW-1, 2 PIN MOLDED CONNECTOR

Tolerance  
(Inches)

Decimal  
±.5 (.020)

Fractional  
± .8 (.030)

Angular  
± 3°



Memory Protection Devices, Inc

200 Broad Hollow Road, Farmingdale, New York 11735

Scale

Drawn By B.S.

Approved By T.B.

Title

5' AUTO EXTENSION CORD SET, 3 AMP. FUSE, RED LED WITH 2 PIN MOLDED CONNECTOR

Date

06/16/17

Drawing Number

ZA5075