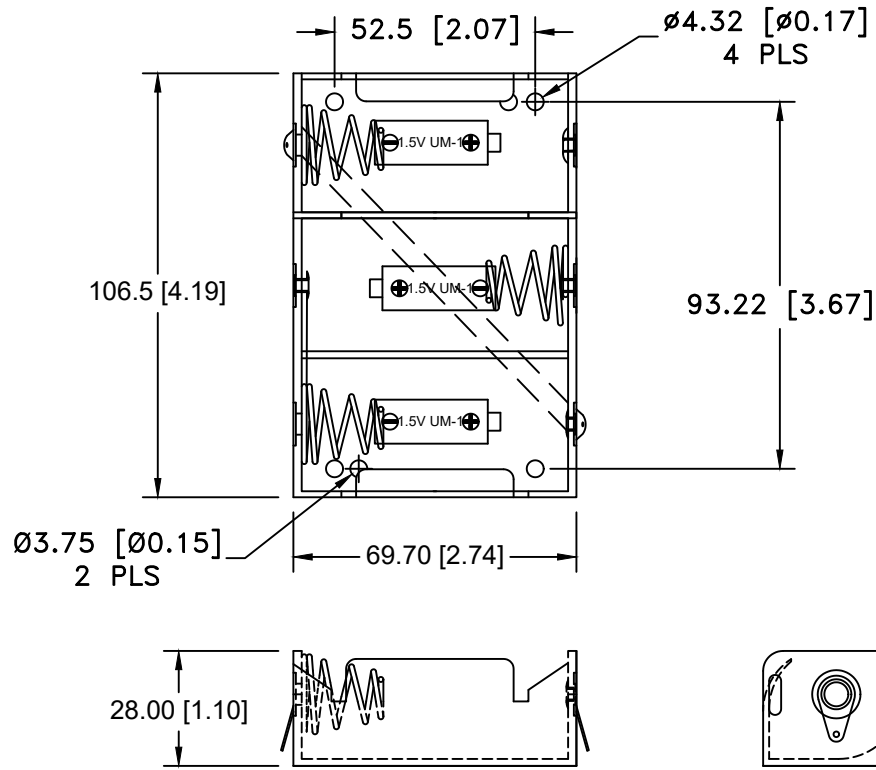


Date	SYM	REVISION RECORD	AUTH	DR.	CK.
9/05/14	A	REDRAWN IN AUTOCAD UPDATED TO ROHS 2 COMPLIANT	T.B.	B.S.	
3/03/17	B	DIM. 69.70 WAS 70.50 DIM. 28.00 WAS 28.30	T.B.	B.S.	
4/07/17	C	ADDED MOUNTING INSTRUCTION	T.B.	B.S.	
3/07/19	D	ADDED 2 HOLES DIM. Ø3.75	T.B.	B.S.	



NOTES:


1. MATERIAL:

HOUSING : BLACK POLYPROPYLENE
 FLAMMABILITY RATING -UL94-HB, UL FILE NO. E216959
 TEMPERATURE RANGE: -10°C to +100°C
 RIVETS: BRASS, NICKLE PLATED.
 SPRING: SPRING STEEL, NICKLE PLATED.
 9 VOLTS SNAPS: BRASS, NICKLE PLATED.
 CONTACT RESISTANCE: UNDER 50mΩ FOR +/- CONTACTS PER
 EIA-540J000

MOUNTING INSTRUCTION:

USE 6-32 MACHINE SCREWS.
 ALSO ADHESIVES AND DOUBLE SIDED TAPES WORK WELL.

ROHS COMPLIANT.

Tolerance (Except as noted)	 Memory Protection Devices, Inc 200 Broad Hollow Road, Farmingdale, New York 11735		
	decimal ±.5 (.020)	Scale	Drawn By B.S. Approved By T.B.
Fractional ± .8 (.030)	Title THREE "D" CELL HOLDER WITH SOLDER LUGS		
Angular ± 3°	Date 03/07/19	Drawing Number BH3DL	