

PU040H Series

Features

- Input voltage: 90-305VAC
- High efficiency: 90% typical
- Active PFC: 0.99 typical
- Surge protection
- IP66 compliant
- Protections: OVP, OCP, OTP, SCP
- Constant Current / 0-10V Dimming
- Compliance to worldwide safety regulations for lighting
- Suitable for dry/damp locations
- CUL/CE
- 5-year warranty



95 x 70x 32mm



Electrical Specifications

| | |
|----------------------|--|
| Input voltage range | 90~305VAC |
| Frequency | 47~63Hz |
| Power factor | 0.99 at 120VAC/60Hz, 0.97 at 230VAC/50Hz (typical) |
| Input current | 0.5 at 100VAC input, full load |
| Inrush current | 15A at 230VAC input, 25°C cold start |
| Leakage current | 0.5mA MAX at 277Vac/60Hz input |
| Maximum output power | 40W |
| Line regulation | ± 3% |
| Load regulation | ± 3% |
| Start-up time | <1.2s at 120VAC, <1s at 220VAC |
| Protections | over voltage, over current, over temperature, short circuit: auto recovery |

Environmental Specifications

| | |
|---------------------------------|---|
| Operating temperature | -40°C ~ +60°C |
| Operating humidity | 10 ~ 95% RH |
| Storage temperature | -40°C ~ +80°C |
| Storage humidity | 10 ~ 95% RH |
| Cooling method | convection |
| Isolation voltage | input / output 3750VAC |
| MTBF | 300,000 hours full load at 25°C ambient |
| Life time | 50,000 hours, 75°C TC |
| Reference dimension (L x W x H) | 95 x 70 x 32 (mm) |
| Weight | 0.3 kg |

Safety & EMC Compliance

| | |
|-------------------------------------|--|
| CUL | UL8750, UL1012, UL1310, CSA-C22.2 NO. 107.1, CSA-C22.2 NO. 223-M91 |
| CE | EN 61347-1, EN61347-2-13 |
| Conducted emissions | FCC Part15 / EN55015 Class B |
| Radiated emissions | FCC Part15 / EN55015 Class B |
| Harmonic current emissions | EN61000-3-2 |
| Voltage fluctuations and flicker | EN61000-3-3 |
| Electrostatic discharge | EN61000-4-2 |
| RFE field susceptibility | EN61000-4-3 |
| Electrical fast transient | EN61000-4-4 |
| Surge immunity test | EN61000-4-5 |
| Conducted radio frequency | EN61000-4-6 |
| Power frequency magnetic field test | EN61000-4-8 |
| Voltage dips | EN61000-4-11 |
| Electromagnetic immunity | EN61547 |

Constant Current — Model Specifications

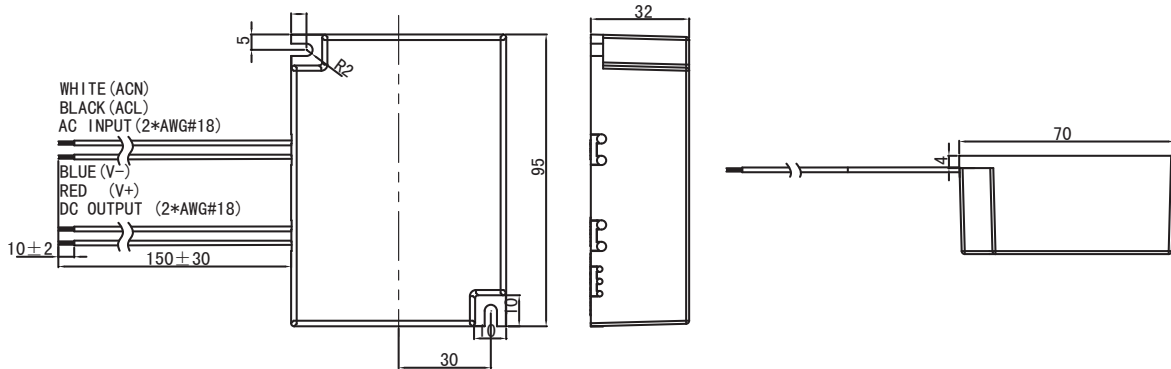
| Model | Output Current | Output Voltage | Current Accuracy | Efficiency (typical) | |
|-------------|----------------|----------------|------------------|----------------------|--------|
| | | | | 110Vac | 220Vac |
| PU040H035AQ | 350mA | 57-114VDC | ± 5% | 90.0% | 91.0% |
| PU040H045AQ | 450mA | 44-89VDC | ± 5% | 89.5% | 90.5% |
| PU040H070AQ | 700mA | 27-54VDC | ± 5% | 89.0% | 90.0% |
| PU040H105AQ | 1050mA | 19-37VDC | ± 5% | 88.0% | 89.0% |
| PU040H140AQ | 1400mA | 14-29VDC | ± 5% | 88.0% | 89.0% |
| PU040H175AQ | 1750mA | 11-23VDC | ± 5% | 87.0% | 88.0% |
| PU040H210AQ | 2100mA | 9-19VDC | ± 5% | 85.5% | 86.5% |
| PU040H245AQ | 2450mA | 8-16VDC | ± 5% | 84.0% | 85.0% |
| PU040H280AQ | 2800mA | 7-14VDC | ± 5% | 83.5% | 85.0% |
| PU040H315AQ | 3150mA | 6-12VDC | ± 5% | 82.5% | 84.0% |

0-10V Dimming — Model Specifications

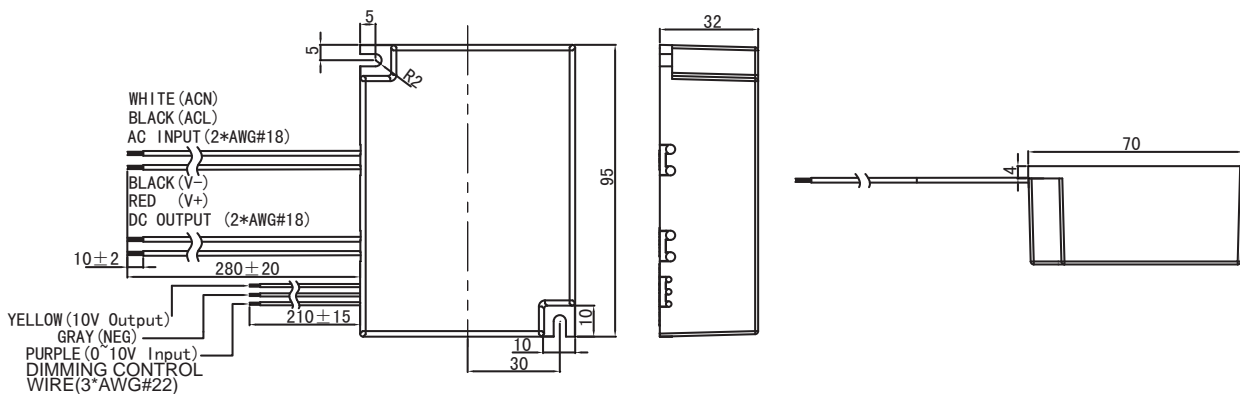
| Model | Output Current | Output Voltage | Current Accuracy | Efficiency (typical) | |
|-------------------|----------------|----------------|------------------|----------------------|--------|
| | | | | 110Vac | 220Vac |
| PU040H035AQ_0-10V | 350mA | 57-114VDC | ± 5% | 89.0% | 90.0% |
| PU040H045AQ_0-10V | 450mA | 44-89VDC | ± 5% | 88.5% | 89.5% |
| PU040H070AQ_0-10V | 700mA | 27-54VDC | ± 5% | 87.5% | 88.5% |
| PU040H105AQ_0-10V | 1050mA | 19-37VDC | ± 5% | 87.0% | 88.0% |
| PU040H140AQ_0-10V | 1400mA | 14-29VDC | ± 5% | 86.5% | 87.5% |
| PU040H175AQ_0-10V | 1750mA | 11-23VDC | ± 5% | 85.0% | 86.0% |
| PU040H210AQ_0-10V | 2100mA | 9-19VDC | ± 5% | 84.0% | 85.0% |
| PU040H245AQ_0-10V | 2450mA | 8-16VDC | ± 5% | 83.5% | 84.5% |
| PU040H280AQ_0-10V | 2800mA | 7-14VDC | ± 5% | 82.5% | 84.0% |
| PU040H315AQ_0-10V | 3150mA | 6-12VDC | ± 5% | 81.5% | 83.0% |

Mechanical Outline (unit: mm)

Constant Current



0-10V Dimming



Numbering System

LED Driver
- General Series
- Outdoor Use
- A Series

LED Driver
- General Series
- Outdoor Use
- H Series

LED Driver
- General Series
- Outdoor Use
- Half Potted Series

LED Driver
- General Series
- Outdoor Use
- Other Types

LED Driver
- General Series
- Indoor Use

LED Driver
- Intelligent Series
- 30W Intelligent Series

LED Driver
- Intelligent Series
- 30W Intelligent

LED Driver
- Programmable Series
- Clock Control Series

General Power Supplies
- MF Series

SPD

Appendix