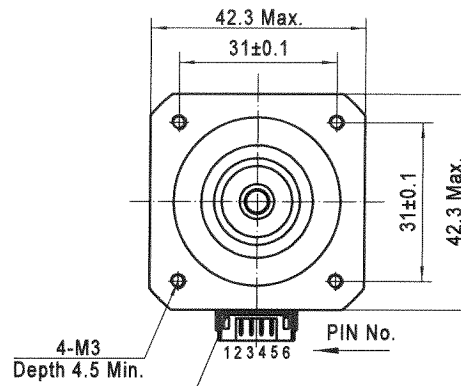
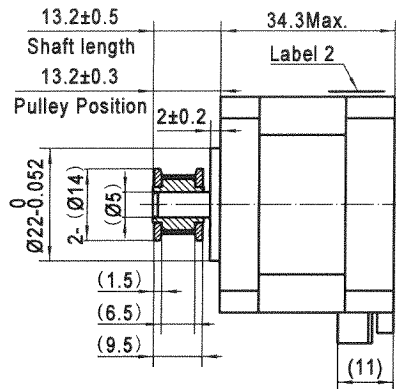
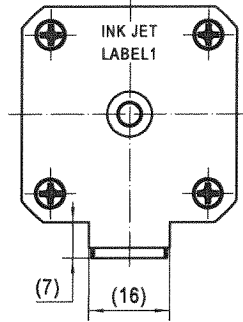
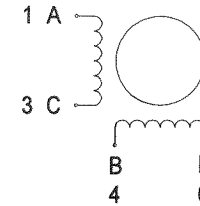


4611110033424



JST S6B-PH-K-S(LF)(SN)
or MOLEX 89401-0610

接线图
Wiring Diagram



励磁顺序 vs. 旋转方向
Exciting Sequence vs. Direction of Rotation

STEP	A	B	C	D	CW
1	+	+	-	-	↑ CCW
2	-	+	+	-	
3	-	-	+	+	
4	+	-	-	+	

从安装面看为顺时针方向
Clockwise view from mounting side

规格 Specifications

1. 相数 Number of Phase	2
2. 步距角 Step Angle	1.8°
3. 额定电压 Rated Voltage	4.2 V DC
4. 额定电流 Rated Current	1.0 Amp
5. 保持力矩 Holding Torque	0.33 Nm Typ. (Two phase on/ rated current)
6. 相电阻 Phase Resistance	4.2 ohm±10% (20°C)
7. 相电感 Phase Inductance	7 mH±20% (1kHz 1V rms)
8. 转子惯量 Rotor Inertia	38 gcm ²
9. 电机重量 Motor Weight	0.21 kg
10. 绝缘等级 Insulation Class	B(130°C)

保 密

带轮规格 Pulley Specification

齿型 Profile	S2M
齿数 Number of teeth	18
节距 Pitch	2
节圆 Pitch diameter	Ø11.46
齿顶圆 Outside diameter	Ø10.95
材料 Material	HPb59-1

铭牌1 Label 1 Detail

TYPE: MS17HD4P4100-28
1.0 Amps Holding:0.33 Nm
XXXXXXXX YY/MM/DD

Work Order 加工单号
Date Format 日期格式

铭牌2 Label 2 Detail

MOONS' STEPPING MOTOR
Insulation: Class B, 60VDC Max.
3000RPM Max.
MOONS' Electric CO.,LTD

Unit: mm
第一角画法
FIRST ANGLE METHOD
未注线性与角度尺寸公差
Tolerances for linear and angular dimensions without
Individual tolerance indications
GB/T 1804-m eqv ISO 2768-1: m
未注形状与位置尺寸公差
Geometrical tolerance for features without
Individual tolerance indications
GB/T 1184-K eqv ISO 2768-2: K

批准 Approve	[Signature]	2019.07.11
标准化 Standard	[Signature]	2019.07.11
工艺 Technology	[Signature]	2019.07.11
审核 Check	[Signature]	2019.07.11
设计 Design	刘琼	2019.07.10

MOONS'

Hybrid Stepping Motor

Shanghai MOONS' Electric Co., Ltd.

This document is released for information only. Its reproduction in whole or in part or its dissemination to third parties is prohibited. All trademarks and registered trademarks appearing on this document are the property of their respective owners.

REV.	版本记录 REVISION RECORD	DATE	UNLESS OTHERWISE SPECIFIED	NAMES	SIGNATURE	DATE	Type: MS17HD4P4100-28	Rev. A	SCALE 1:1	Sheet 1 of 1
A	原始版本 Original revision	2019.07.10								