

6

5

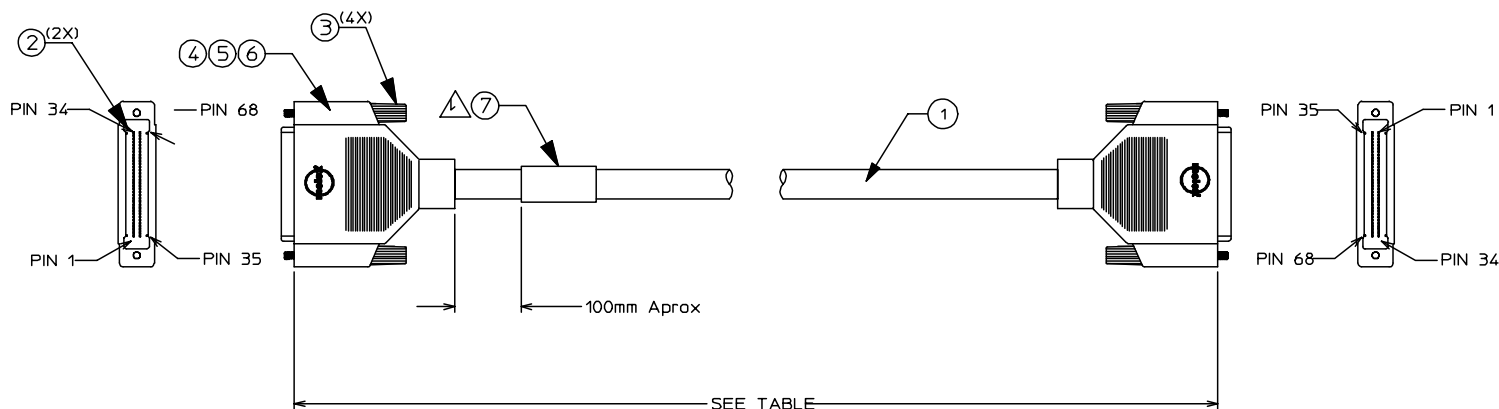
4

3

2

79913

MOLEX P/N	LENGTH	TOLERANCE
799130043	1,000mm	+/- 50mm
799130044	3,000mm	+/- 100mm
799130045	5,000mm	+/- 150mm



△ APPLY CABLE LABEL AS SHOWN WITH THE FOLLOWING INFORMATION:
 MOLEX P/N: (SEE TABLE)
 REV: (SEE TABLE)
 M/D: WW/YY
 ASSEMBLED IN MEXICO

△ PIN CONNECTION: PIN 1 TO PIN 1

7	PLASTIC LABEL EPC#R-TW10F	799426019	1 EA
6	COOPER TAPE 3M # 1245-2 18 YDS	799002009	A / R
5	LDPE 959S NATURAL	899920434	A / R
4	PVC MANNER V154 BLACK	899920416	A / R
3	THUMBSCREW OVERMOLDED	799292023	4 EA
2	71295 SCSI SHLD OVMLD PLUG 68 CKT	712952068	2 EA
1	34 PAIR 30AWG STRANDED BLACK UNIV. MADISON	799232053	A / R
ITEM	DESCRIPTION	P / N	QTY

RELEASE IN WM EC NO: MEX2004-0129 DRWN: SALBA 2004/05/18 CHKD: SALBA 2004/05/18 APPR: GVILLAGR 2004/05/18	QUALITY SYMBOLS	GENERAL TOLERANCES (UNLESS SPECIFIED)		SCALE ---	DESIGN UNITS METRIC	THIRD ANGLE PROJECTION REVISE ON CAD ONLY	
		4 PLACES	mm	INCH	DIMENSION STYLE MM ONLY		TITLE SCSI PLUS -SCSI PLUS U320 1MT/3MT/5MT
		3 PLACES	± ---	± ---	DRAWN BY GVILLAGR	DATE 20020621	
		2 PLACES	± ---	± ---	CHECKED BY JGUERRER	DATE 20020621	
1 PLACE	± ---	± ---	APPROVED BY RMALACAR		DATE 20020621	MATERIAL NO. SEE TABLE	
		ANGULAR ±1/2°				DOCUMENT NO. SD-79913-016	
		DRAFT WHERE APPLICABLE MUST REMAIN WITHIN DIMENSIONS				SHEET NO. 1 OF 1	
		THIS DRAWING CONTAINS INFORMATION THAT IS PROPRIETARY TO MOLEX INCORPORATED AND SHOULD NOT BE USED WITHOUT WRITTEN PERMISSION					

5

4

3

2

1