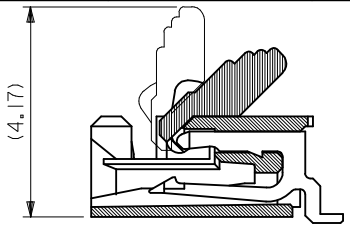


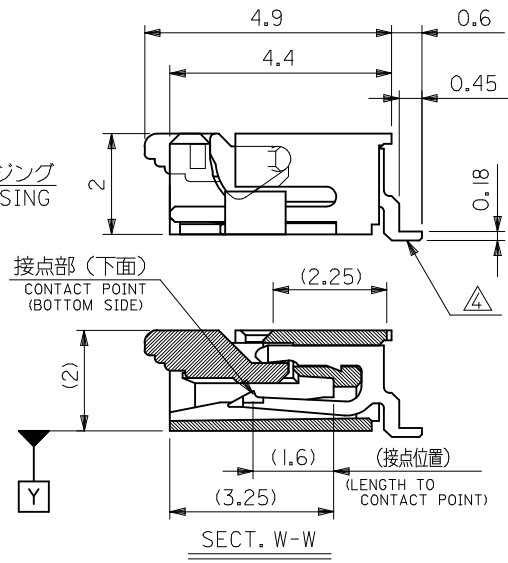
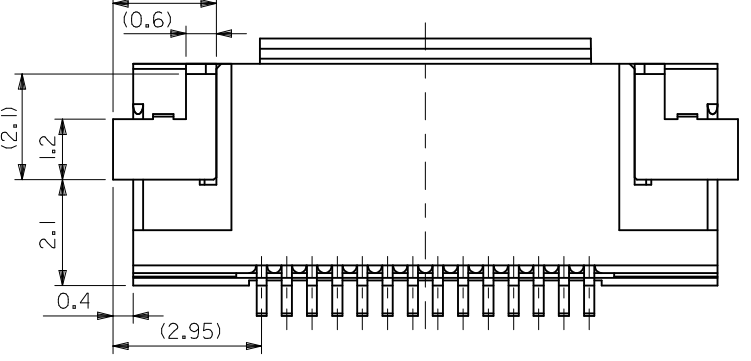
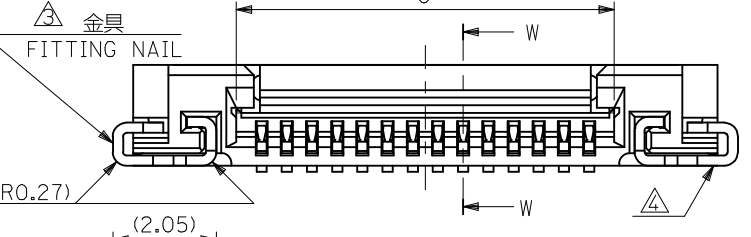
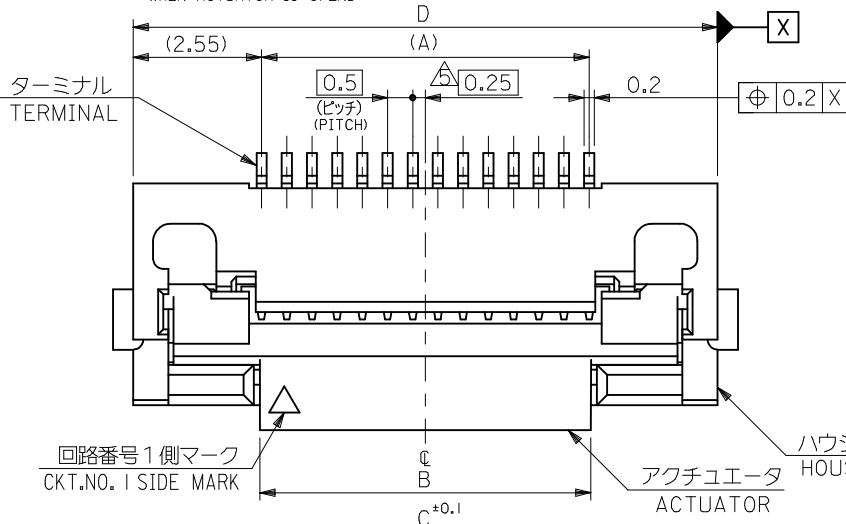
注記NOTES

1. 使用材料 MATERIAL
 ハウジング : ポリアミド (PA)、ナチュラル(白色)、ガラス充填、UL94V-0
 HOUSING : POLYAMIDE ,NATURAL(WHITE) ,GLASS FILLED ,UL94V-0
 アクチュエータ : ポリフェニレンサルファイド(PPS)、ナチュラル(茶色)、ガラス充填、UL94V-0
 ACTUATOR : POLYPHENYLENE SULFIDE,NATURAL(BROWN),GLASS FILLED UL94V-0
 ターミナル : リン青銅(t=0.2)
 TERMINAL : PHOSPHOR BRONZE(t=0.2)
 金具 : リン青銅(t=0.2)
 FITTING NAIL : PHOSPHOR BRONZE(t=0.2)
2. メッキ仕様 PLATING
 ターミナル
 TERMINAL
 錫銀ピスマスメッキ(1.0μm以上)
 下地メッキ: ニッケルメッキ(1.0μm以上)
 TIN SILVER BISMUTH PLATING
 (1.0 MICROMETER MINIMUM)
 UNDER PLATING : NICKEL PLATING
 (1.0 MICROMETER MINIMUM)
 金具
 NAIL
 錫系メッキ(1.0μm以上)
 下地メッキ: ニッケルメッキ(1.0μm以上)
 TIN BASED PLATING
 (1.0 MICROMETER MINIMUM)
 UNDER PLATING : NICKEL PLATING
 (1.0 MICROMETER MINIMUM)

3. パターンはくり止め用金具
 FITTING NAIL FOR PREVENTION OF PEELING OF P.C.B PATTERN.
 ソルダーテール半田付け面のズレ量、及び金具はんだ付け面のズレ量は、基準面 Y に対し上方向0.05MAX、下方向0.2MAX、とする。
 MISALIGNMENT OF SOLDER TAILS AND FITTING NAILS FROM Y
 UPPER DIRECTION : 0.05 MAX. LOWER DIRECTION : 0.2 MAX.
 偶数極に適用。
 APPLY FOR EVEN CIRCUIT.
4. R0.3は、FPCの導体部にかからないこと。
 R0.3 MUST NOT BE OVERLAPPED TO PATTERN OF FPC.
5. 18極以上は2か所、8~16極はハウジングセンターに1か所とする。
 18 CKTS AND MOER THAN 18 CKTS PLACED 2 POINTS.
 8~16 CKTS PLACED 1 POINT ON HOUSING CENTER.
6. ソルダーテールの平坦度は、0.10 MAXIMUMとする。
 SOLDER TAIL COPLANARITY IS 0.10 MAXIMUM.
7. ELV及びRoHS適合品
 ELV AND ROHS COMPLIANT.



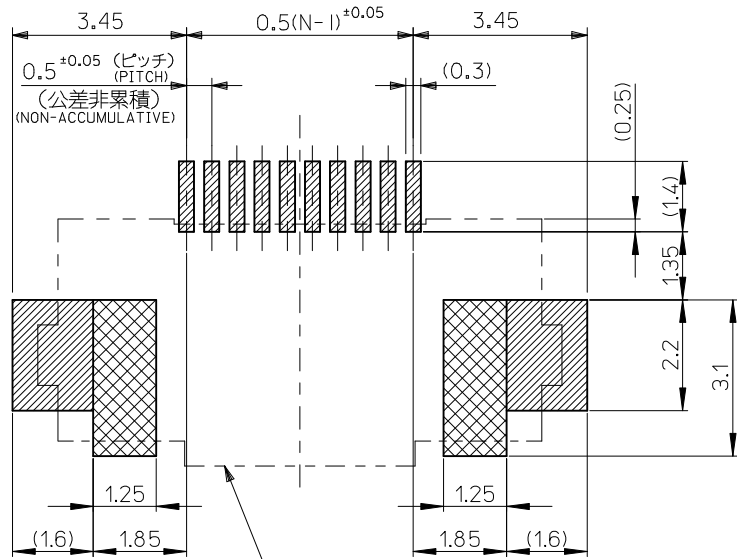
アクチュエータを開いた状態
WHEN ACTUATOR IS OPEN



19.6	15.5	14.57	14.5	52892-3033	30
18.6	14.5	13.57	13.5	-2833	28
17.6	13.5	12.57	12.5	-2633	26
16.6	12.5	11.57	11.5	-2433	24
15.6	11.5	10.57	10.5	-2233	22
14.6	10.5	9.57	9.5	-2033	20
14.1	10.0	9.07	9.0	-1933	19
13.6	9.5	8.57	8.5	-1833	18
13.1	9.0	8.07	8.0	-1733	17
12.6	8.5	7.57	7.5	-1633	16
12.1	8.0	7.07	7.0	-1533	15
11.6	7.5	6.57	6.5	-1433	14
11.1	7.0	6.07	6.0	-1333	13
10.6	6.5	5.57	5.5	-1233	12
10.1	6.0	5.07	5.0	-1133	11
9.6	5.5	4.57	4.5	-1033	10
8.6	4.5	3.57	3.5	52892-0833	8
D	C	B	(A)	EMBOSSD TAPE ORDER No. オーダー番号	極数 CIRCUIT

CONNECTOR SERIES NO. : 52892-***22

REVISED EC NO: J2013-1212 DRWN: JASUNUMA 2013/05/01 CHKD: TAKAHASHI 2013/05/01 APPR: KMORIKAWA 2013/05/09	GENERAL TOLERANCES (UNLESS SPECIFIED)		DIMENSION STYLE MM ONLY	SCALE ---	DESIGN UNITS METRIC	THIRD ANGLE PROJECTION
	10 UNDER	±0.2	DRAWN BY TMORISHITA	DATE 2012/09/20	TITLE 0.5MM FPC CONN ZIF R/A HOUSING ASSY (LOWER CONTACT)	
	10 OVER 30 UNDER	±0.25	CHECKED BY KTAKAHASHI	DATE 2012/09/25		
	30 OVER	±0.3	APPROVED BY KMORIKAWA	DATE 2013/04/05		
A	ANGULAR ±3 °	DRAFT WHERE APPLICABLE MUST REMAIN WITHIN DIMENSIONS	MATERIAL NO. SEE CHART	DOCUMENT NO. SD-52892-044	SHEET NO. 1 OF 3	
			SIZE A3	THIS DRAWING CONTAINS INFORMATION THAT IS PROPRIETARY TO MOLEX INCORPORATED AND SHOULD NOT BE USED WITHOUT WRITTEN PERMISSION		

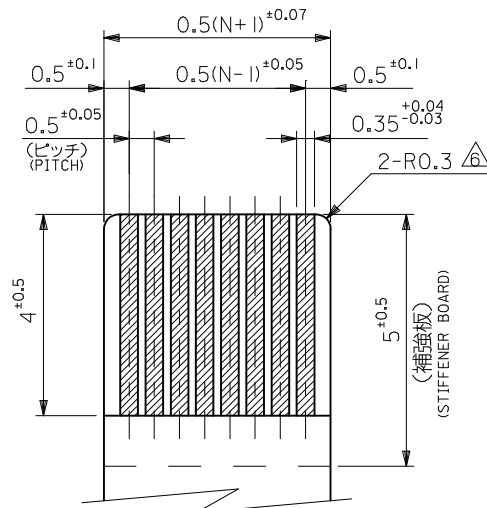


コネクタ位置
CONNECTOR POSITION

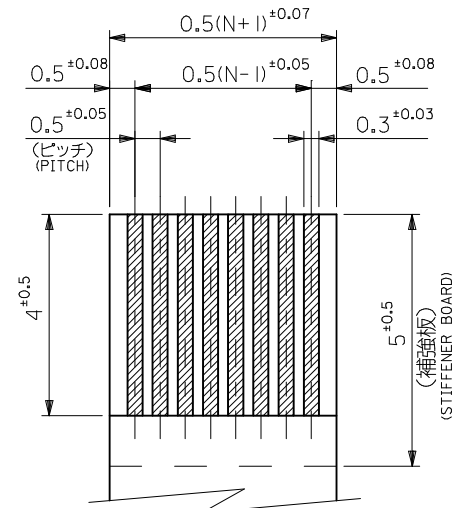
パターン禁止
NO PATTERN

推奨基板レイアウト
RECOMMENDED P.C. BOARD
PATTERN DIMENSION
(マウント面)
(MOUNTING SIDE)

参考ベスト厚 : 100 μm
参考マスク開口率 : 100%
REFERENCE SCREEN THICKNESS : 100 μm
REFERENCE SCREEN OPEN RATIO : 100%



適合FPC推奨寸法
APPLICABLE FPC
RECOMMENDED DIMENSION
(仕上がり厚さ : 0.3±0.03)
(THICKNESS: 0.3±0.03)



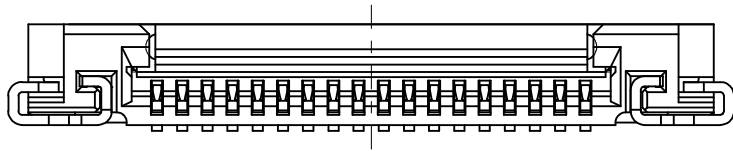
適合FFC推奨寸法
APPLICABLE FFC
RECOMMENDED DIMENSION
(仕上がり厚さ : 0.3±0.03)
(THICKNESS: 0.3±0.03)

FPC/FFCについて ABOUT FPC/FFC
打ち抜き方向は導体側から補強板側を推奨します。
導体部については軟銅線35 μmまたは50 μmを推奨します。
RECOMMENDED PUNCHING DIRECTION: FROM CONDUCTOR SIDE TO STIFFENER SIDE
RECOMMENDED CONDUCTOR SPEC: SOFT COPPER FOIL
RECOMMENDED CONDUCTOR THICKNESS: 35 MICROMETER OR 50 MICROMETER

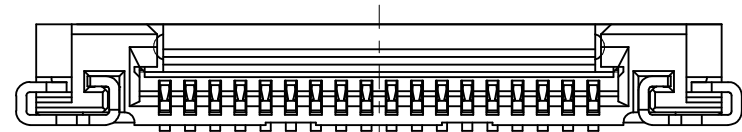
FPCについて ABOUT FPC
補強フィルム材質はポリイミドを推奨します。ベースフィルムは25 μmを推奨します。
接着剤は熱硬化接着剤を推奨します。
尚、接着剤の接点部への付着は導通不良の原因になりますので、染み出しが無い様、お願い致します。
RECOMMENDED STIFFENER MATERIAL: POLYIMIDE
RECOMMENDED BASE FILM THICKNESS: 25 MICROMETER
RECOMMENDED ADHESIVE: THERMOSETTING ADHESIVE
NOTE: PLEASE PUT APPROPRIATE AMOUNT OF ADHESIVE ON ADHEREND BECAUSE THERE IS A POSSIBILITY THAT THE EXTRA ADHESIVE CAUSES THE DEFECT IN ELECTRICAL CONTINUITY.

REVISED EC NO: J2013-1212 DRWN: JASUNUMA 2013/05/01 CHKD: KTAKAHASHI 2013/05/01 APPR: KMORIKAWA 2013/05/09	DESCRIPTION	GENERAL TOLERANCES (UNLESS SPECIFIED)		DIMENSION STYLE MM ONLY		SCALE ---	DESIGN UNITS METRIC	THIRD ANGLE PROJECTION		
		10 UNDER	±0.2	DRAWN BY	DATE	TITLE				
		10 OVER 30 UNDER	±0.25	TMORISHITA	2012/09/20	0.5MM FPC CONN ZIF R/A HOUSING ASSY (LOWER CONTACT)				
		30 OVER	±0.3	KTAKAHASHI	2012/09/25					
ANGULAR	±3 °	APPROVED BY	DATE	molex						
DRAFT WHERE APPLICABLE MUST REMAIN WITHIN DIMENSIONS		KMORIKAWA	2013/04/05						MATERIAL NO.	DOCUMENT NO.
A	REV	SEE SHEET 1		SD-52892-044		2 OF 3				
		SIZE	THIS DRAWING CONTAINS INFORMATION THAT IS PROPRIETARY TO MOLEX INCORPORATED AND SHOULD NOT BE USED WITHOUT WRITTEN PERMISSION							

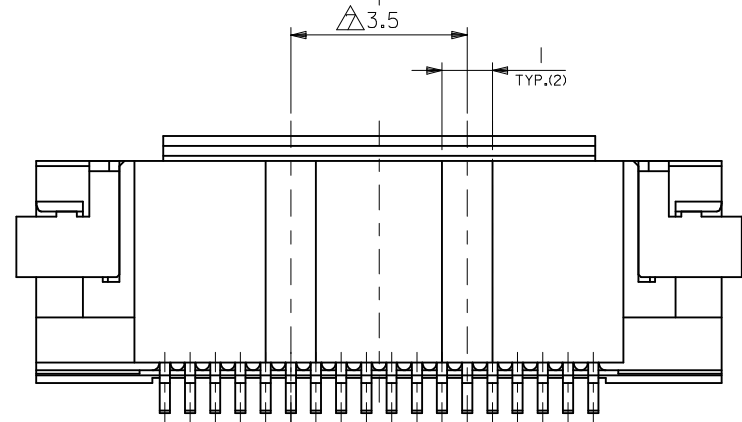
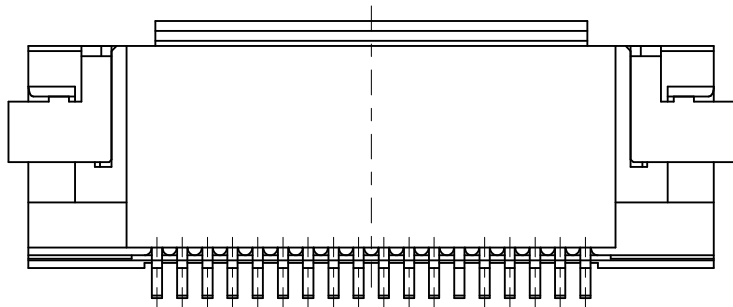
HSGの金型によって基板面に溝が有る製品と無い製品が存在します。
 PRESENCE OR ABSENCE OF THE GROOVE TO HOUSING IS PRESENT.



ハウジング溝無し
 NO GROOVE HOUSING



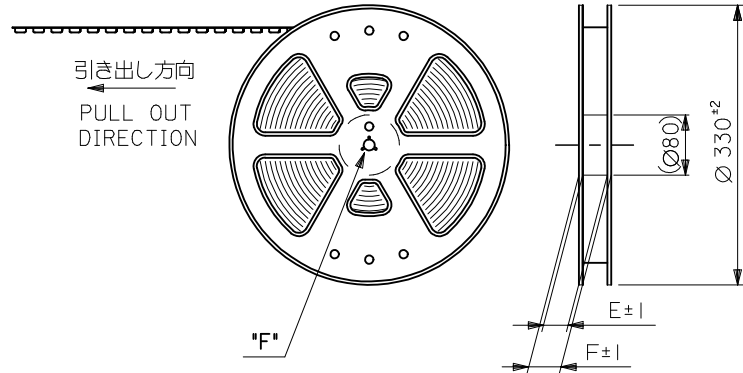
ハウジング溝付き
 GROOVED HOUSING



REVISED EC NO: J2013-1212 DRWN: JASANUMA 2013/05/01 CHKD: KTAKAHASHI 2013/05/01 APPR: KMORIKAWA 2013/05/09	DESCRIPTION A	GENERAL TOLERANCES (UNLESS SPECIFIED)		DIMENSION STYLE MM ONLY		SCALE ---	DESIGN UNITS METRIC	THIRD ANGLE PROJECTION		
		10 UNDER	±0.2	DRAWN BY TMORISHITA	DATE 2012/09/20	TITLE 0.5MM FPC CONN ZIF R/A HOUSING ASSY (LOWER CONTACT)				
		10 OVER 30 UNDER	±0.25	CHECKED BY KTAKAHASHI	DATE 2012/09/25					
		30 OVER	±0.3	APPROVED BY KMORIKAWA	DATE 2013/04/05					
ANGULAR ±3 °		DRAFT WHERE APPLICABLE MUST REMAIN WITHIN DIMENSIONS		MATERIAL NO. SEE SHEET 1		DOCUMENT NO. SD-52892-044		SHEET NO. 3 OF 3		
				SIZE A3		THIS DRAWING CONTAINS INFORMATION THAT IS PROPRIETARY TO MOLEX INCORPORATED AND SHOULD NOT BE USED WITHOUT WRITTEN PERMISSION				

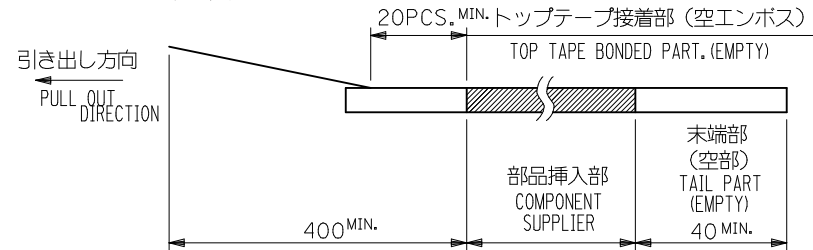
注記 NOTES

- 製品詳細寸法については図面 SD-52892-044 を参照下さい。
RE DETAILED DIMENSION, SEE SD-52892-044
- 梱包数量：1000個/リール
NUMBER OF CONNECTORS : 1000PCS/REEL
- リードテープ長さ LEAD TAPE LENGTH

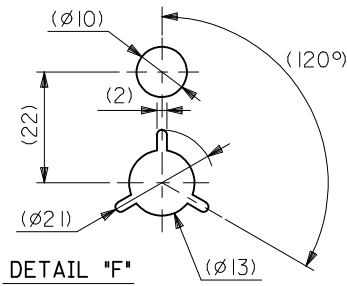


引き出し方向
PULL OUT
DIRECTION

"F"

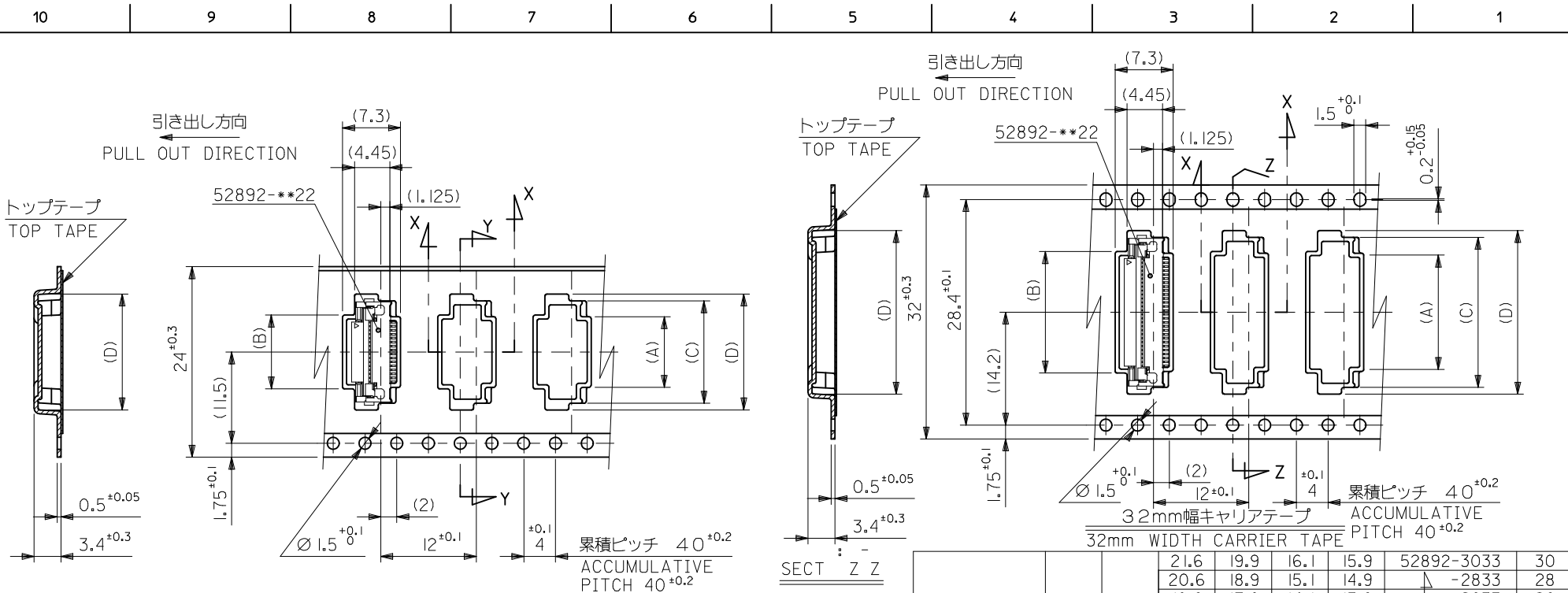


- カバーテープの剥離強度については、IEC60286-3に準拠
COVER TAPE PEELFORCE IS DEFINED BY IEC60286-3.
- 材料 (MATERIAL)
キャリアテープ (CARRIER TAPE) : ポリプロピレン (POLYPROPYLENE)
トップテープ (TOPTAPE) : PET, PE, PEF
リール (REEL) : ポリスチレン (PS) <リサイクル材を含む>
POLYSTYRENE (PS) <RECYCLE MATERIAL CONTAINED>
- ELV及びRoHS適合品
ELV AND ROHS COMPLIANT



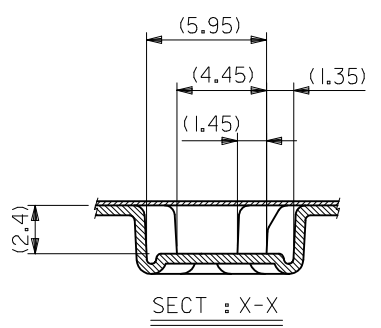
DETAIL "F"

RELEASED EC NO: J2013-1015 DRWN: TMORISHITA 2012/09/20 CHKD: KTAKAHASHI 2012/09/25 APPR: KMORIKAWA 2013/04/05	GENERAL TOLERANCES (UNLESS SPECIFIED)		DIMENSION STYLE MM ONLY		SCALE ---	DESIGN UNITS METRIC	THIRD ANGLE PROJECTION	
	10 UNDER	± ---	DRAWN BY TMORISHITA	DATE 2012/09/20	TITLE EMBOSS TAPE PACKAGED FOR 0.5MM FPC CONN ZIF R/A HOUSING ASSY			
	10 OVER 30 UNDER	± ---	CHECKED BY KTAKAHASHI	DATE 2012/09/25				
	30 OVER	± ---	APPROVED BY KMORIKAWA	DATE 2013/04/05	MATERIAL NO. SEE CHART		DOCUMENT NO. SD-52892-045	
ANGULAR ± --- °		DRAFT WHERE APPLICABLE MUST REMAIN WITHIN DIMENSIONS		THIS DRAWING CONTAINS INFORMATION THAT IS PROPRIETARY TO MOLEX INCORPORATED AND SHOULD NOT BE USED WITHOUT WRITTEN PERMISSION				



SECT : Y-Y

24mm幅キャリアテープ
24mm WIDTH CARRIER TAPE



SECT : X-X

Carrier Tape Width (mm)	Carrier Tape Pitch (mm)	Carrier Tape Height (mm)	Carrier Tape Width (mm)	Carrier Tape Pitch (mm)	Carrier Tape Height (mm)	Carrier Tape Width (mm)	Carrier Tape Pitch (mm)	Carrier Tape Height (mm)	Carrier Tape Width (mm)	Carrier Tape Pitch (mm)	Carrier Tape Height (mm)	Carrier Tape Width (mm)	Carrier Tape Pitch (mm)	Carrier Tape Height (mm)	Carrier Tape Width (mm)	Carrier Tape Pitch (mm)	Carrier Tape Height (mm)	Carrier Tape Width (mm)	Carrier Tape Pitch (mm)	Carrier Tape Height (mm)	Carrier Tape Width (mm)	Carrier Tape Pitch (mm)	Carrier Tape Height (mm)																																																																																		
32	37.4	33.4	21.6	19.9	16.1	15.9	52892-3033	30	20.6	18.9	15.1	14.9	-2833	28	19.6	17.9	14.1	13.9	-2633	26	18.6	16.9	13.1	12.9	-2433	24	17.6	15.9	12.1	11.9	-2233	22	16.6	14.9	11.1	10.9	-2033	20	16.1	14.4	10.6	10.4	-1933	19	15.6	13.9	10.1	9.9	-1833	18	15.1	13.4	9.6	9.4	-1733	17	14.6	12.9	9.1	8.9	-1633	16	14.1	12.4	8.6	8.4	-1533	15	13.6	11.9	8.1	7.9	-1433	14	13.1	11.4	7.6	7.4	-1333	13	12.6	10.9	7.1	6.9	-1233	12	12.1	10.4	6.6	6.4	-1133	11	11.6	9.9	6.1	5.9	-1033	10	10.6	8.9	5.1	4.9	8	52892-0833	8

キャリアテープ幅
CARRIER TAPE WIDTH

CONNECTOR SERIES NO. : 52892-***22

RELEASED		GENERAL TOLERANCES (UNLESS SPECIFIED)		DIMENSION STYLE		SCALE		DESIGN UNITS		THIRD ANGLE PROJECTION	
EC NO.	DATE	DRWN	DATE	10 UNDER	± ---	MM ONLY	---	METRIC	⊙	THIRD ANGLE	PROJECTION
J2013-1015	2012/09/20	TMORISHITA	2012/09/20	10 OVER	± ---	DRAWN BY	DATE	TITLE	EMBOSS TAPE PACKAGED FOR 0.5MM FPC CONN ZIF R/A (LOWER CONTACT)		
0	2012/09/25	CHKD:KTAKAHASHI	2012/09/25	30 OVER	± ---	CHECKED BY	DATE	APPROVED BY	molex		
	2013/04/05	APPR:KMORIKAWA	2013/04/05	ANGULAR	± --- °	APPROVED BY	DATE	MATERIAL NO.	DOCUMENT NO.	SD-52892-045	
				DRAFT WHERE APPLICABLE	MUST REMAIN WITHIN DIMENSIONS	SEE CHART				SHEET NO. 2 OF 2	
						THIS DRAWING CONTAINS INFORMATION THAT IS PROPRIETARY TO MOLEX INCORPORATED AND SHOULD NOT BE USED WITHOUT WRITTEN PERMISSION					