
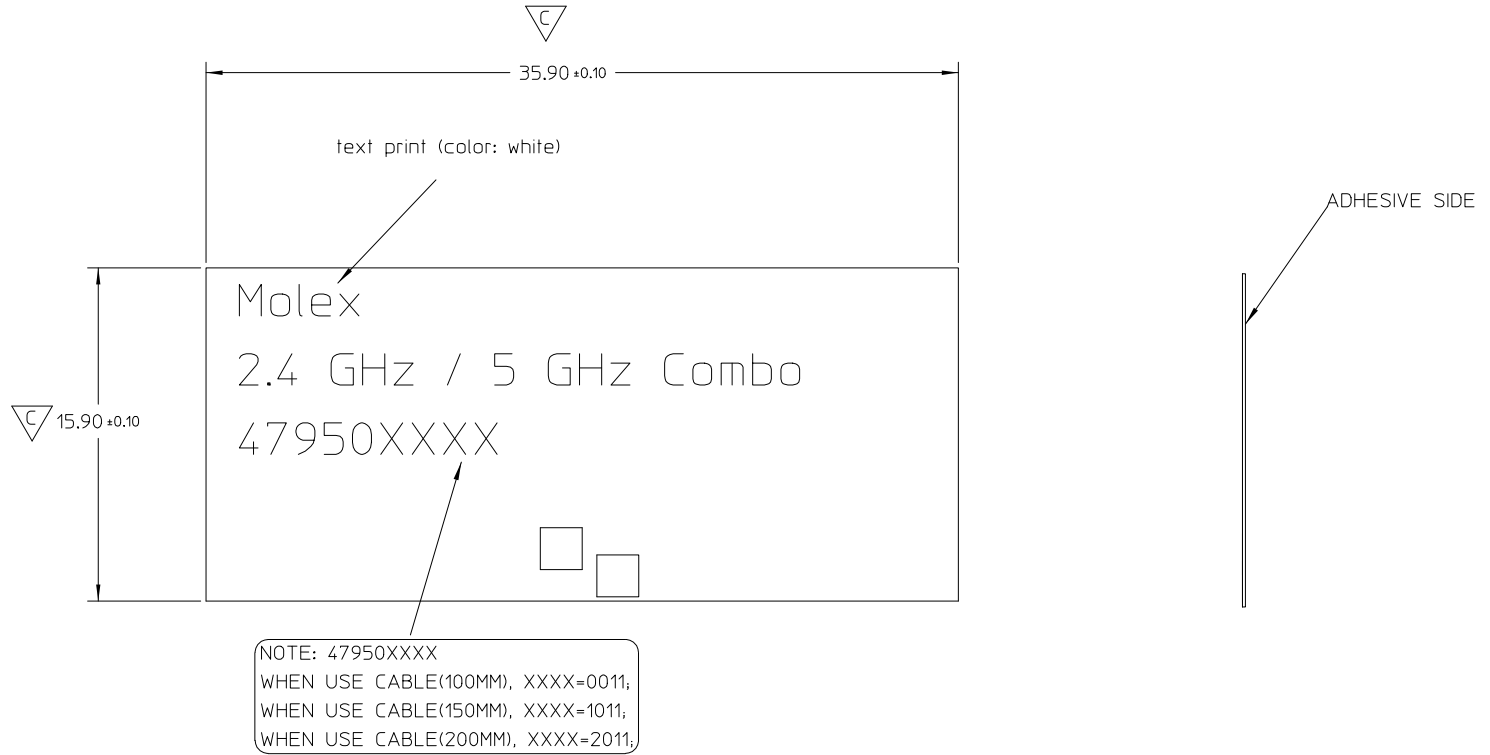




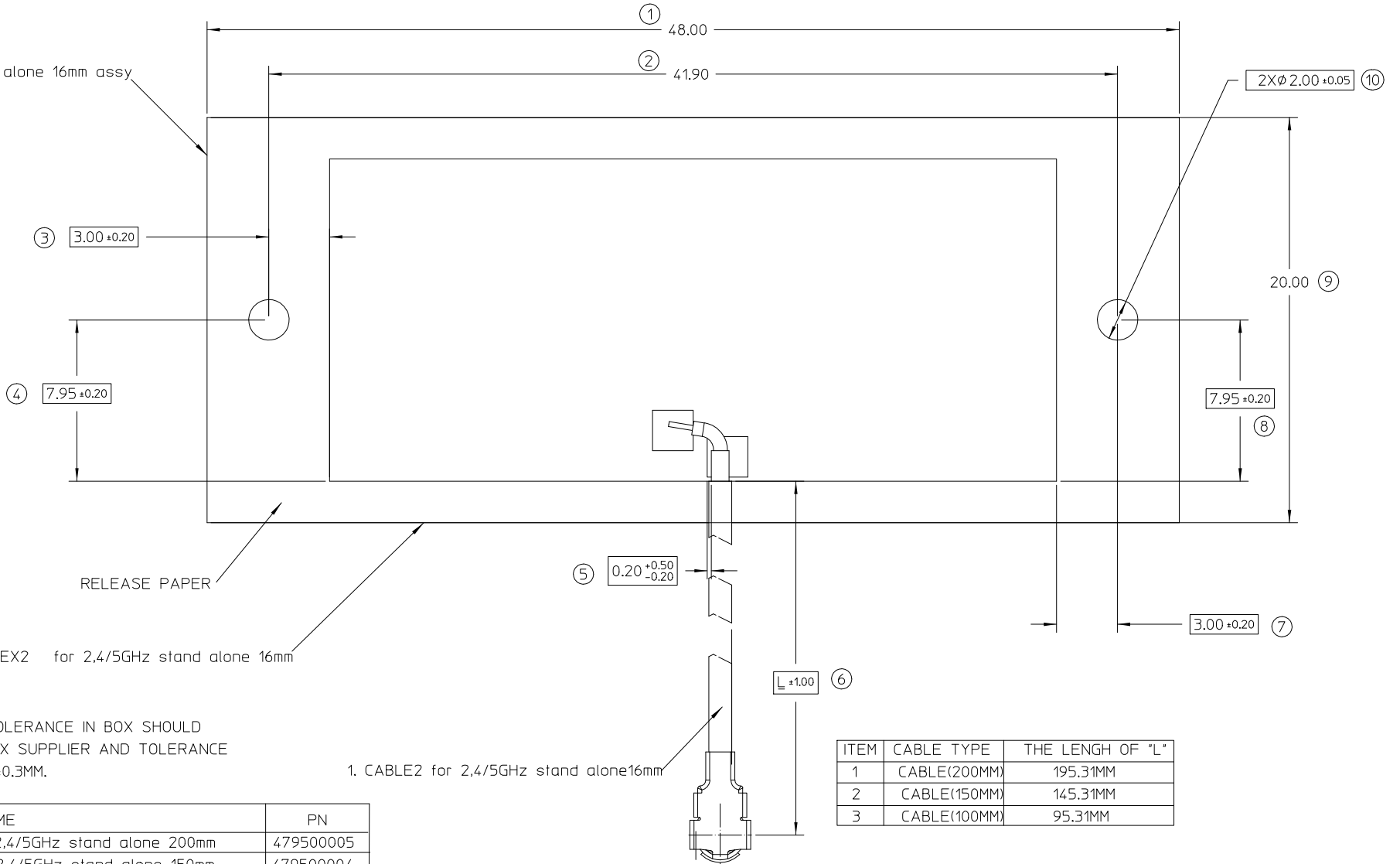
NOTE:

- 1.Material: FLEX 35.9mm \* 15.9mm
- 2.Ni&Au plating in the solder pad area:  
Ni: MIN. 1um, Au: MIN. 0.1 um THICKNESS
- 3.COVER COAT: BLACK.
- 4.THE DIMENSION WITH MARK  NEED TO DO CPK CONTROL.



ENTER DESCRIPTION EC NO:ABU2010105 DRWN:COOPERZHOU CHX:ERIC SHI APPR:WELSON TAN	QUALITY SYMBOLS	GENERAL TOLERANCES (UNLESS SPECIFIED)		DIMENSION STYLE		SCALE 4:1	DESIGN UNITS	 THIRD ANGLE PROJECTION																
	$\nabla F = 0$ $\nabla E = 0$ $\nabla P = 0$	<table border="1" style="width: 100%; border-collapse: collapse;"> <tr> <td></td> <td style="text-align: center;">mm</td> <td style="text-align: center;">INCH</td> </tr> <tr> <td>4 PLACES</td> <td style="text-align: center;">±</td> <td style="text-align: center;">±</td> </tr> <tr> <td>3 PLACES</td> <td style="text-align: center;">±</td> <td style="text-align: center;">±</td> </tr> <tr> <td>2 PLACES</td> <td style="text-align: center;">±</td> <td style="text-align: center;">±</td> </tr> <tr> <td>1 PLACE</td> <td style="text-align: center;">±</td> <td style="text-align: center;">±</td> </tr> </table>		mm	INCH	4 PLACES	±	±	3 PLACES	±	±	2 PLACES	±	±	1 PLACE	±	±	ANGULAR ± °	DRAWN BY cooperzhou	DATE 20110516	TITLE 2.4/5GHz stand alone 16mm-flex			
		mm	INCH																					
	4 PLACES	±	±																					
3 PLACES	±	±																						
2 PLACES	±	±																						
1 PLACE	±	±																						
		DRAFT WHERE APPLICABLE MUST REMAIN WITHIN DIMENSIONS	CHECKED BY eric shi	DATE 20110516																				
B	REV			APPROVED BY welson tan	DATE 20110516	 MOLEX INCORPORATED		SHEET NO. 1 OF 2																
				MATERIAL NO. see the table of sheet2	DOCUMENT NO. SD-47950-011																			

3 2,4/5GHz stand alone 16mm assy



RELEASE PAPER

2 .FLEX2 for 2,4/5GHz stand alone 16mm

1. CABLE2 for 2,4/5GHz stand alone 16mm

NOTE:  
THE DIMENSION WITH TOLERANCE IN BOX SHOULD  
BE CONTROLLED BY FLEX SUPPLIER AND TOLERANCE  
OF OTHER DIMENSIONS:±0.3MM.

ITEM	PART NAME	PN
1	CABLE2 for 2,4/5GHz stand alone 200mm	479500005
	CABLE2 for 2,4/5GHz stand alone 150mm	479500004
	CABLE2 for 2,4/5GHz stand alone 100mm	479500003
2	FLEX2 for 2,4/5GHz stand 16mm (CABLE100MM)	479500012
	FLEX2 for 2,4/5GHz stand 16mm (CABLE150MM)	479500812
	FLEX2 for 2,4/5GHz stand 16mm (CABLE200MM)	479500912
3	2,4/5GHz stand alone 16mm assy(CABLE100MM)	479500011
	2,4/5GHz stand alone 16mm assy(CABLE150MM)	479501011
	2,4/5GHz stand alone 16mm assy(CABLE200MM)	479502011

ITEM	CABLE TYPE	THE LENGH OF "L"
1	CABLE(200MM)	195.31MM
2	CABLE(150MM)	145.31MM
3	CABLE(100MM)	95.31MM

ENTER DESCRIPTION EC NO:ABU2011-0105 DRWN:COOPERZHOU CHK:DERIC SHI APPR:WELSON TAN	QUALITY SYMBOLS $F=0$ $F=0$ $F=0$	GENERAL TOLERANCES (UNLESS SPECIFIED) mm    INCH 4 PLACES ±    ± 3 PLACES ±    ± 2 PLACES ±    ± 1 PLACE ±    ± ANGULAR ± °	DIMENSION STYLE DRAWN BY    DATE cooperzhou 20110516 CHECKED BY    DATE eric shi 20110516 APPROVED BY    DATE welson tan 20110516 MATERIAL NO.	SCALE 5:1 DESIGN UNITS THIRD ANGLE PROJECTION	TITLE 2,4/5GHz stand alone 16mm-assy MOLEX MOLEX INCORPORATED DOCUMENT NO. SD-47950-011 SHEET NO. 2 OF 2	
	DRAFT WHERE APPLICABLE MUST REMAIN WITHIN DIMENSIONS		SEE TABLE	THIS DRAWING CONTAINS INFORMATION THAT IS PROPRIETARY TO MOLEX INCORPORATED AND SHOULD NOT BE USED WITHOUT WRITTEN PERMISSION		
	REV B	DESCRIPTION				
	A3					