

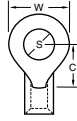
Distributed by:

JAMECO[®]
ELECTRONICS

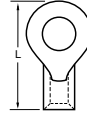
www.Jameco.com ♦ 1-800-831-4242

The content and copyrights of the attached
material are the property of its owner.

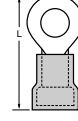
Jameco Part Number 794841



Material: Copper



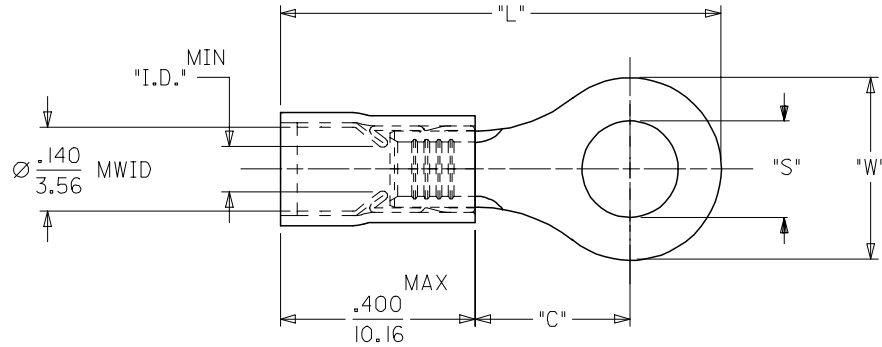
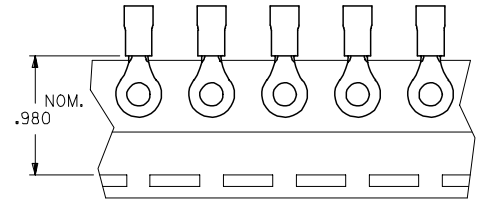
Versakrimp®



Avikrimp®
(Nylon Insulation)

Wire Range AWG	Stud Size S	Max. Width W	Min. Clearance C	Loose Piece Order No.	Mylar Tape Order No.	Max. Length L	Loose Piece Order No.	Mylar Tape Order No.	Max. Length L
18-22 (0.80-0.35)	1-2 (2)	6.00 (.235)	3.90 (.157)				19073-0005	19073-0006	18.00 (.709)
	3-4 (2.6)	5.00 (.197)	4.40 (.173)				19073-0003	19073-0004	18.20 (.715)
		6.00 (.235)	3.90 (.157)	19193-0007	19193-0008	12.30 (.484)	19073-0007	19073-0008	18.00 (.709)
	5-6 (3-3.5)	6.70 (.264)	6.10 (.240)				19073-0036	19073-0037	20.50 (.807)
		6.00 (.235)	3.90 (.157)	19193-0009	19193-0011	12.30 (.484)	19073-0009	19073-0010	18.00 (.709)
		6.70 (.264)	6.10 (.240)	19193-0034	19193-0035	14.80 (.582)	19073-0038	19073-0040	20.50 (.807)
		8.20 (.322)	7.60 (.300)	19193-0012	19193-0013	17.00 (.671)	19073-0011	19073-0012	22.80 (.896)
	8 (4)	6.70 (.264)	6.10 (.240)	19193-0036	19193-0037	14.80 (.582)	19073-0042	19073-0043	20.50 (.807)
		8.20 (.322)	7.60 (.300)	19193-0014	19193-0015	17.00 (.671)	19073-0013	19073-0015	22.80 (.896)
	10 (-)	7.20 (.283)	6.10 (.240)	19193-0041	19193-0042	15.00 (.591)	19073-0049	19073-0050	20.70 (.816)
		8.20 (.322)	7.60 (.300)	19193-0016	19193-0017	17.00 (.671)	19073-0017	19073-0019	22.80 (.896)
	1/4 (6)	12.10 (.477)	9.80 (.386)	19193-0021	19193-0022	21.20 (.835)	19073-0024	19073-0026	26.90 (1.060)
	5/16 (8)	12.10 (.477)	9.80 (.386)	19193-0023	19193-0024	21.20 (.835)	19073-0027	19073-0028	26.90 (1.060)
	3/8 (9)	13.80 (.544)	14.00 (.552)				19073-0032	19073-0033	31.90 (1.259)
14-16 (2.00-1.30)	1-2 (2)	6.60 (.260)	5.30 (.209)	19193-0062	19193-0063	14.20 (.560)			
	3-4 (2.6)	6.00 (.260)	5.30 (.209)				19073-0065	19073-0066	22.30 (.880)
		6.60 (.260)	5.30 (.209)				19073-0067	19073-0070	22.30 (.880)
	5-6 (3-3.5)	8.20 (.322)	7.00 (.275)	19193-0078	19193-0079	16.30 (.640)	19073-0083	19073-0084	22.30 (.880)
		6.60 (.260)	5.30 (.209)				19073-0072	19073-0073	22.30 (.880)
	8 (4)	8.20 (.322)	7.00 (.275)	19193-0080	19193-0081	16.30 (.640)	19073-0085	19073-0086	22.30 (.880)
		8.90 (.352)	7.90 (.310)	19193-0089	19193-0090	17.70 (.696)	19073-0094	19073-0096	23.80 (.936)
	10 (-)	8.20 (.322)	7.00 (.275)	19193-0082	19193-0083	16.30 (.640)	19073-0087	19073-0088	22.30 (.880)
		8.90 (.352)	7.90 (.310)	19193-0091	19193-0092	17.70 (.696)	19073-0097	19073-0099	23.80 (.936)
	1/4 (6)	12.10 (.477)	9.90 (.388)	19193-0072	19193-0073	21.20 (.837)	19073-0074	19073-0075	27.40 (1.077)
		12.10 (.477)	9.90 (.388)	19193-0074	19193-0075	21.20 (.837)	19073-0076	19073-0077	27.40 (1.077)
	5/16 (8)	13.80 (.544)	13.60 (.535)				19073-0079	19073-0080	27.40 (1.077)
		13.80 (.544)	13.60 (.535)	19193-0057	19193-0058	25.70 (1.010)	19073-0061	19073-0062	31.80 (1.250)
	3/8 (9)	13.80 (.544)	13.60 (.535)				19073-0059	19073-0060	31.80 (1.250)
14-16 (2.00-1.30) Heavy Duty (Also suitable for 12 AWG)	8 (4)	9.80 (.385)	7.70 (.303)				19058-0041		27.70 (1.091)
		9.80 (.385)	7.70 (.303)				19058-0047	19058-0050	27.70 (1.091)
	10 (-)	13.70 (.540)	10.00 (.393)					19058-0060	32.00 (1.258)
		13.70 (.540)	10.00 (.393)				19058-0063	19058-0068	32.00 (1.258)
	5/16 (8)	13.70 (.540)	10.00 (.393)				19058-0072	19058-0077	32.00 (1.258)
	3/8 (9)	15.20 (.598)	11.80 (.466)				19058-0117	19058-0119	34.60 (1.362)
	7/16 (11)	19.30 (.760)	15.50 (.611)				19058-0026		40.30 (1.586)
	1/2 (12)	19.30 (.760)	15.50 (.611)				19058-0016		40.30 (1.586)

MATERIAL NUMBER	ALTERNATE NUMBER	STUD SIZE	"S"	"W"	"C"	Ⓢ "L"	"I.D."	PACKAGING
190730036	AA-832-04	04	.119(3.02)	.25(6.5)	.24(6.1)	.78(19.8)	.062(1.57)	LOOSE PIECE
190730038	AA-832-06	06	.146(3.71)	.25(6.5)	.24(6.1)	.78(19.8)	.062(1.57)	
190730042	AA-832-08	08	.173(4.39)	.25(6.5)	.24(6.1)	.78(19.8)	.062(1.57)	
190730046	AA-833-04	04	.119(3.02)	.27(6.9)	.24(6.1)	.82(20.7)	.062(1.57)	
190730047	AA-833-06	06	.146(3.71)	.27(6.9)	.24(6.1)	.82(20.7)	.062(1.57)	
190730048	AA-833-08	08	.173(4.39)	.27(6.9)	.24(6.1)	.82(20.7)	.062(1.57)	
190730049	AA-833-10	10	.198(5.03)	.27(6.9)	.24(6.1)	.82(20.7)	.062(1.57)	
190730001	AA-8111-02	02	.094(2.38)	.19(4.8)	.17(4.4)	.72(18.2)	.054(1.37)	
190730003	AA-8111-04	04	.119(3.02)	.19(4.8)	.17(4.4)	.72(18.2)	.054(1.37)	
190730037	AA-832-04T	04	.119(3.02)	.25(6.5)	.24(6.1)	.78(19.8)	.062(1.57)	
190730040	AA-832-06T	06	.146(3.71)	.25(6.5)	.24(6.1)	.78(19.8)	.062(1.57)	
190730043	AA-832-08T	08	.173(4.39)	.25(6.5)	.24(6.1)	.78(19.8)	.062(1.57)	
190730050	AA-833-10T	10	.198(5.03)	.27(6.9)	.24(6.1)	.82(20.7)	.062(1.57)	
190730002	AA-8111-02T	02	.094(2.38)	.19(4.8)	.17(4.4)	.72(18.2)	.054(1.37)	
190730004	AA-8111-04T	04	.119(3.02)	.19(4.8)	.17(4.4)	.72(18.2)	.054(1.37)	



- NOTES:
 1. MATERIAL: COPPER
 PLATING: ELECTROPLATE TIN
 2. FERRULE: TIN-PLATED BRASS
 3. INSULATION: RED NYLON
 4. MWID=MAXIMUM WIRE INSULATION DIA.
 5. ALL DIMENSIONS IN INCHES (MM).

CHANGED DIMENSIONS EC NO: ETC2007-0178 DRWN: JLOMASTRO 2006/10/24 CHKD: JMACNEIL 2006/10/24 APPR: JMACNEIL 2006/10/26	QUALITY SYMBOLS ▽=0 ▽=0	GENERAL TOLERANCES (UNLESS SPECIFIED)		DIMENSION STYLE IN/MM		SCALE ---	DESIGN UNITS INCH	THIRD ANGLE PROJECTION
		4 PLACES ± --- ± ---	DRAWN BY ASAYDEH	DATE 05/12/07	TITLE RING TONGUE TERMINAL 22-18 AWG AVIKRIMP, 800-SERIES			
		3 PLACES ± --- ± .005	CHECKED BY JLOMASTRO	DATE 05/12/07	MOLEX INCORPORATED			
		2 PLACES ± 0.13 ± .01 1 PLACE ± 0.25 ± --- ANGULAR ±1/2°	APPROVED BY RDEROSS	DATE 05/12/07	MATERIAL NO. SEE CHART	DOCUMENT NO. SD-19073-004	SHEET NO. 1 OF 1	
DRAFT WHERE APPLICABLE MUST REMAIN WITHIN DIMENSIONS			THIS DRAWING CONTAINS INFORMATION THAT IS PROPRIETARY TO MOLEX INCORPORATED AND SHOULD NOT BE USED WITHOUT WRITTEN PERMISSION					