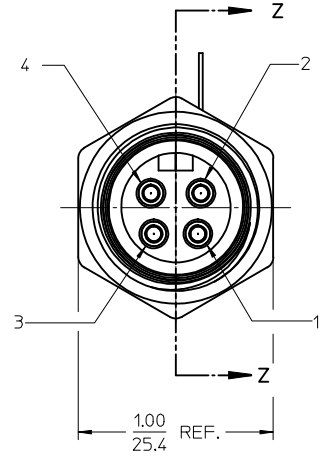
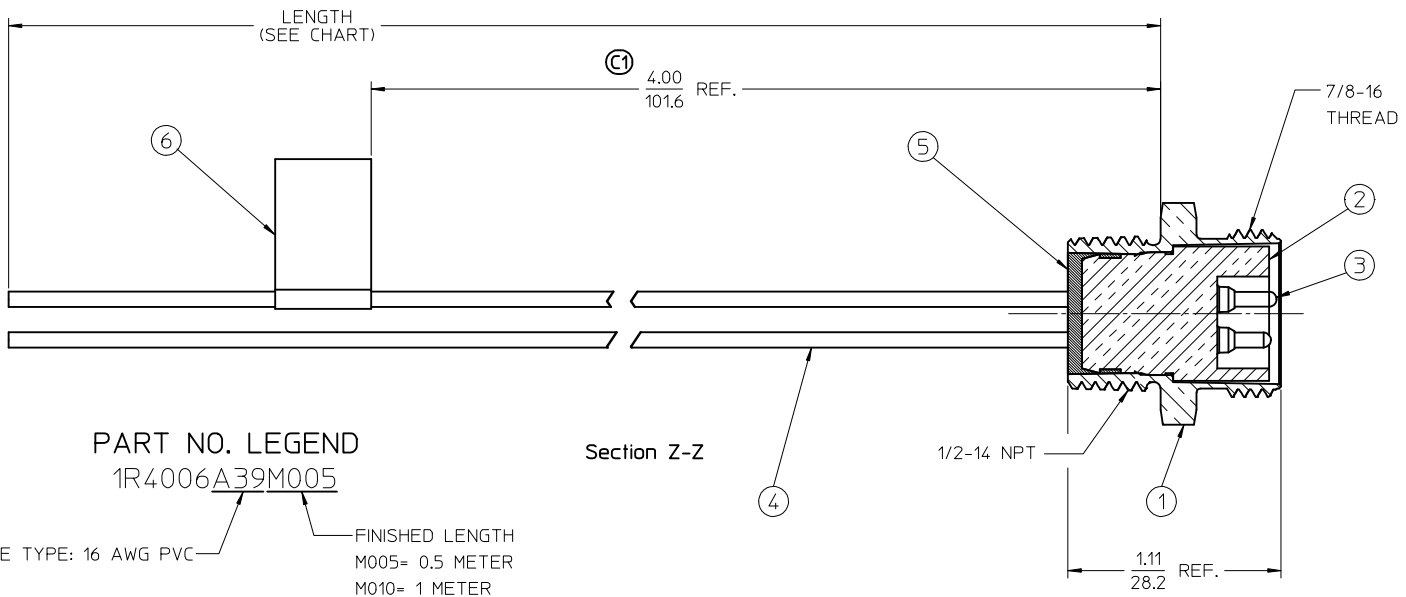
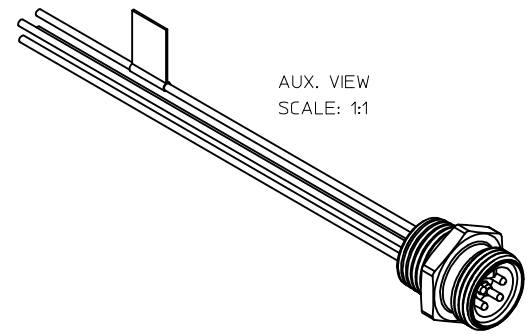


MATERIAL NO.	ENGINEERING NO.	LENGTH
1300130376	1R4006A39M005	0.5M
1300130377	1R4006A39M010	1.0M
1300130378	1R4006A39M020	2.0M

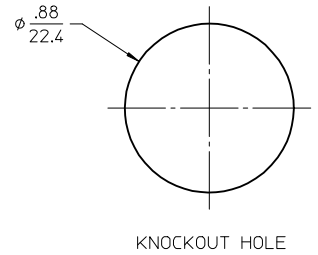
CABLE LENGTH TOLERANCES
 >.3M [1FT]: +19mm-0 [+1.75in-0]
 .3 - .9M [1 - 3FT]: +44.5mm-0 [+1.75in-0]
 .9 - 1.8M [3 - 6FT]: +55.6mm-0 [+2.19in-0]
 1.8 - 3.7M [6 - 12FT]: +88.9mm-0 [+3.50in-0]
 3.7 - 7.3M [12 - 24FT]: +165.1mm-0 [+6.50in-0]
 7.3-14.6M [24 - 48FT]: +317.5mm-0 [+12.50in-0]
 14.6 - 30.5M [48-100FT]: +622.3mm-0 [+24.50in-0]
 OVER 30M [100FT] +2% OF FINISHED LENGTH



PART NO. LEGEND
 1R4006A39M005

WIRE TYPE: 16 AWG PVC
 FINISHED LENGTH
 M005= 0.5 METER
 M010= 1 METER
 M100= 10 METERS

- NOTES:**
1. MATERIAL: AS NOTED
 2. FINISHES: AS NOTED
 3. ELECTRICAL SPECIFICATIONS
 VOLTAGE RATING: 483V PER IEC60664
 600V PER UL2238
 CURRENT RATING: 10 AMPS
 4. PROTECTION: IP67 (WHEN MATED)
 5. TEMP RANGE: -20°C TO +105°C
 6. AGENCY RECOGNIZED: E152210
 7. DIMS SHOWN ARE FOR REFERENCE UNLESS NOTED OTHERWISE



WIRE DIAGRAM

BROWN	1
WHITE	2
BLUE	3
BLACK	4

PIN-OUT PER CENELEC COLOR CODE

ITEM	QTY.	DESCRIPTION	MATERIAL	FINISH
6	1	LABEL	VINYL	BLACK/YELLOW
5	1	POTTING MATERIAL	EPOXY	
4	4	WIRE, 16 AWG	PVC INSULATION	SEE WIRE DIAGRAM
3	4	CONTACT PIN	Cu ALLOY	GOLD PLATED
2	1	INSERT	PVC	YELLOW
1	1	RECEPTACLE SHELL	ZINC DIE-CAST	BLACK

IEC VOLTS WAS 370, WAS 800
 ADD LENGTH TOLS & CHART
 EC NO: JG2017-0940
 2017/04/10
 DRAWNR:STONE
 CHKD:
 APPR: BWOODMAN
 2017/06/06
 DESCRIPTION

QUALITY SYMBOLS
 ▽=0
 ▽=0

GENERAL TOLERANCES (UNLESS SPECIFIED)

	mm	INCH
4 PLACES	± .005	± .0005
3 PLACES	± .005	± .0005
2 PLACES	± .01	± .001
1 PLACE	± 0.3	± .012

ANGULAR ±1/2°

DRAFT WHERE APPLICABLE
 MUST REMAIN
 WITHIN DIMENSIONS

DIMENSION STYLE
 IN/MM

DRAWN BY: R.STONE
 DATE: 2009/08/24

CHECKED BY: B.WOODMAN
 DATE: 2009/08/27

APPROVED BY: JFMURPHY
 DATE: 2009/08/26

MATERIAL NO. -

SCALE: 2:1
 DESIGN UNITS: INCH
 THIRD ANGLE PROJECTION

TITLE: **MINI-CHANGE, RECEPTACLE
 4P, MALE, 16 AWG**

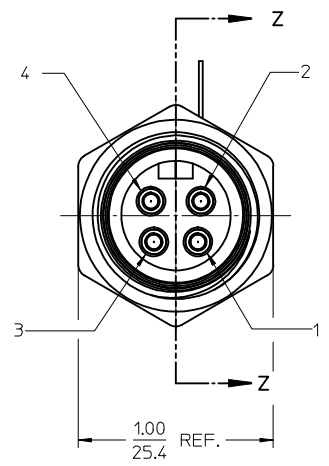
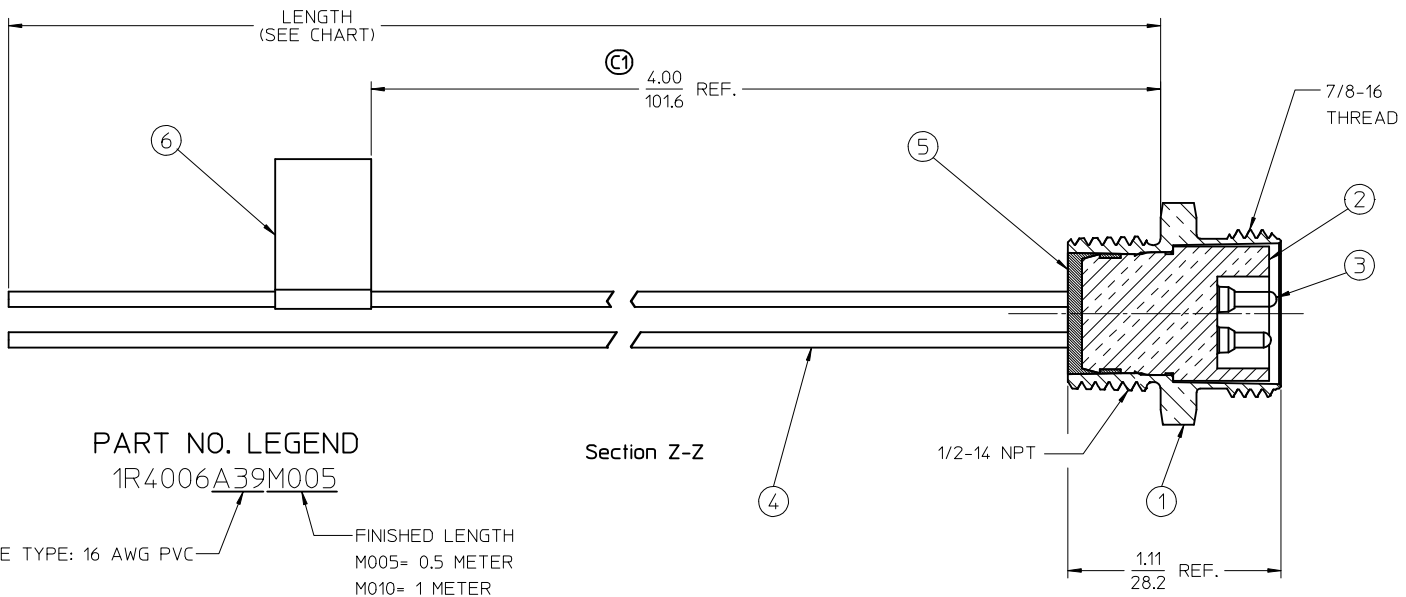
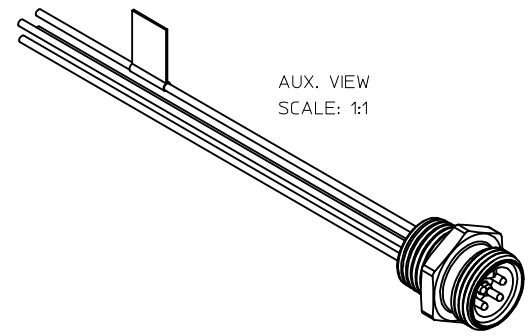
MOLEX INCORPORATED

DOCUMENT NO. SD-130013-080
 SHEET NO. 1 OF 1

THIS DRAWING CONTAINS INFORMATION THAT IS PROPRIETARY TO MOLEX INCORPORATED AND SHOULD NOT BE USED WITHOUT WRITTEN PERMISSION

MATERIAL NO.	ENGINEERING NO.	LENGTH
1300130376	1R4006A39M005	0.5M
1300130377	1R4006A39M010	1.0M
1300130378	1R4006A39M020	2.0M

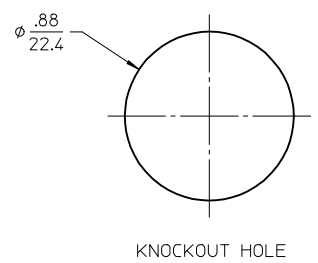
CABLE LENGTH TOLERANCES
 >.3M [1FT]: +19mm-0 [+1.75in-0]
 .3 - .9M [1 - 3FT]: +44.5mm-0 [+1.75in-0]
 .9 - 1.8M [3 - 6FT]: +55.6mm-0 [+2.19in-0]
 1.8 - 3.7M [6 - 12FT]: +88.9mm-0 [+3.50in-0]
 3.7 - 7.3M [12 - 24FT]: +165.1mm-0 [+6.50in-0]
 7.3-14.6M [24 - 48FT]: +317.5mm-0 [+12.50in-0]
 14.6 - 30.5M [48-100FT]: +622.3mm-0 [+24.50in-0]
 OVER 30M [100FT] +2% OF FINISHED LENGTH



PART NO. LEGEND
 1R4006A39M005

WIRE TYPE: 16 AWG PVC
 FINISHED LENGTH
 M005= 0.5 METER
 M010= 1 METER
 M100= 10 METERS

- NOTES:**
1. MATERIAL: AS NOTED
 2. FINISHES: AS NOTED
 3. ELECTRICAL SPECIFICATIONS
 VOLTAGE RATING: 483V PER IEC60664
 600V PER UL2238
 CURRENT RATING: 10 AMPS
 4. PROTECTION: IP67 (WHEN MATED)
 5. TEMP RANGE: -20°C TO +105°C
 6. AGENCY RECOGNIZED: E152210
 7. DIMS SHOWN ARE FOR REFERENCE UNLESS NOTED OTHERWISE



WIRE DIAGRAM

BROWN	1
WHITE	2
BLUE	3
BLACK	4

PIN-OUT PER CENELEC COLOR CODE

ITEM	QTY.	DESCRIPTION	MATERIAL	FINISH
6	1	LABEL	VINYL	BLACK/YELLOW
5	1	POTTING MATERIAL	EPOXY	
4	4	WIRE, 16 AWG	PVC INSULATION	SEE WIRE DIAGRAM
3	4	CONTACT PIN	Cu ALLOY	GOLD PLATED
2	1	INSERT	PVC	YELLOW
1	1	RECEPTACLE SHELL	ZINC DIE-CAST	BLACK

IEC VOLTS WAS 370, WAS 800
 ADD LENGTH TOLS & CHART
 EC NO: JPC2017-0940
 2017/04/10
 DR:WINSTON
 CHKD:
 APPR:WOODMAN
 2017/06/06
 DESCRIPTION

QUALITY SYMBOLS
 ▽=0
 ▽=0

GENERAL TOLERANCES (UNLESS SPECIFIED)

	mm	INCH
4 PLACES	± .005	± .0005
3 PLACES	± .005	± .0005
2 PLACES	± .005	± .001
1 PLACE	± 0.3	± .01

ANGULAR ±1/2°

DRAFT WHERE APPLICABLE
 MUST REMAIN
 WITHIN DIMENSIONS

DIMENSION STYLE
 IN/MM

DRAWN BY: R.STONE
 DATE: 2009/08/24

CHECKED BY: B.WOODMAN
 DATE: 2009/08/27

APPROVED BY: JFMURPHY
 DATE: 2009/08/26

MATERIAL NO. -

SCALE: 2:1
 DESIGN UNITS: INCH
 THIRD ANGLE PROJECTION

TITLE: **MINI-CHANGE, RECEPTACLE
 4P, MALE, 16 AWG**

MOLEX INCORPORATED

DOCUMENT NO. SD-130013-080
 SHEET NO. 1 OF 1

THIS DRAWING CONTAINS INFORMATION THAT IS PROPRIETARY TO MOLEX INCORPORATED AND SHOULD NOT BE USED WITHOUT WRITTEN PERMISSION