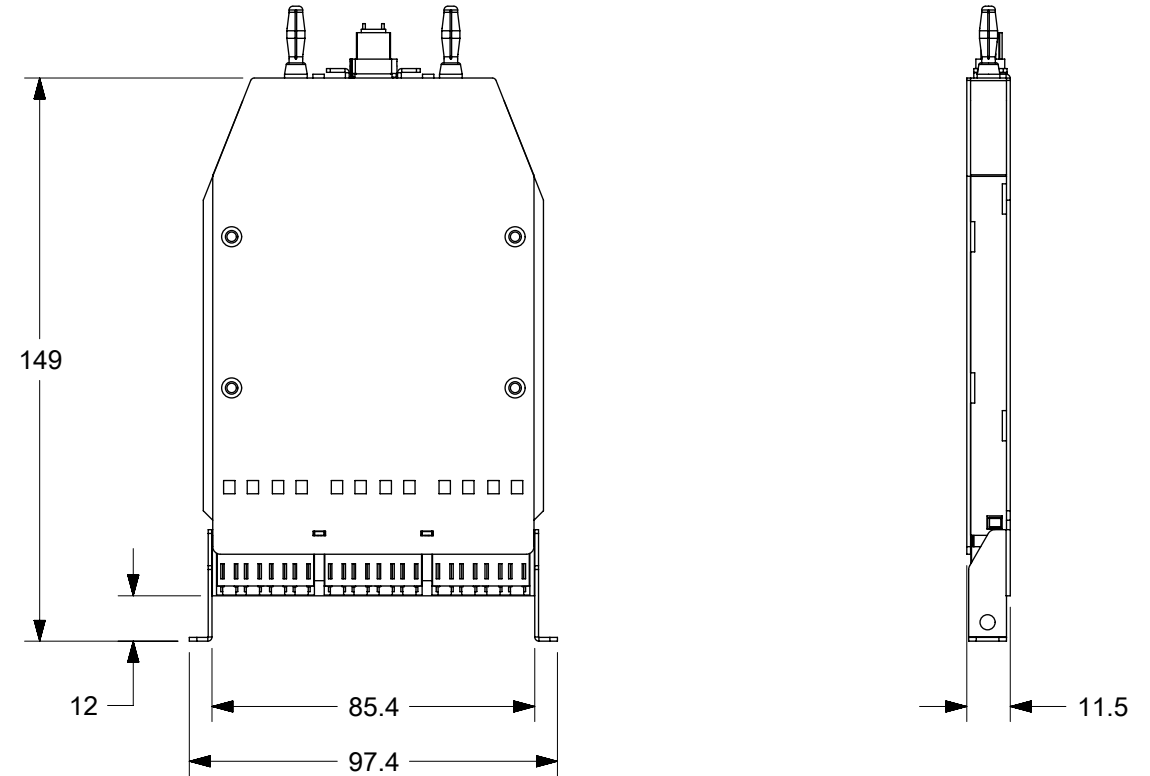
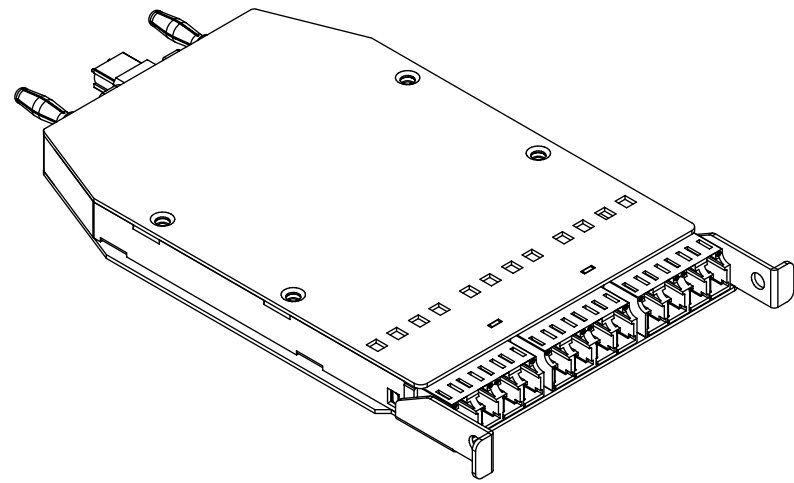


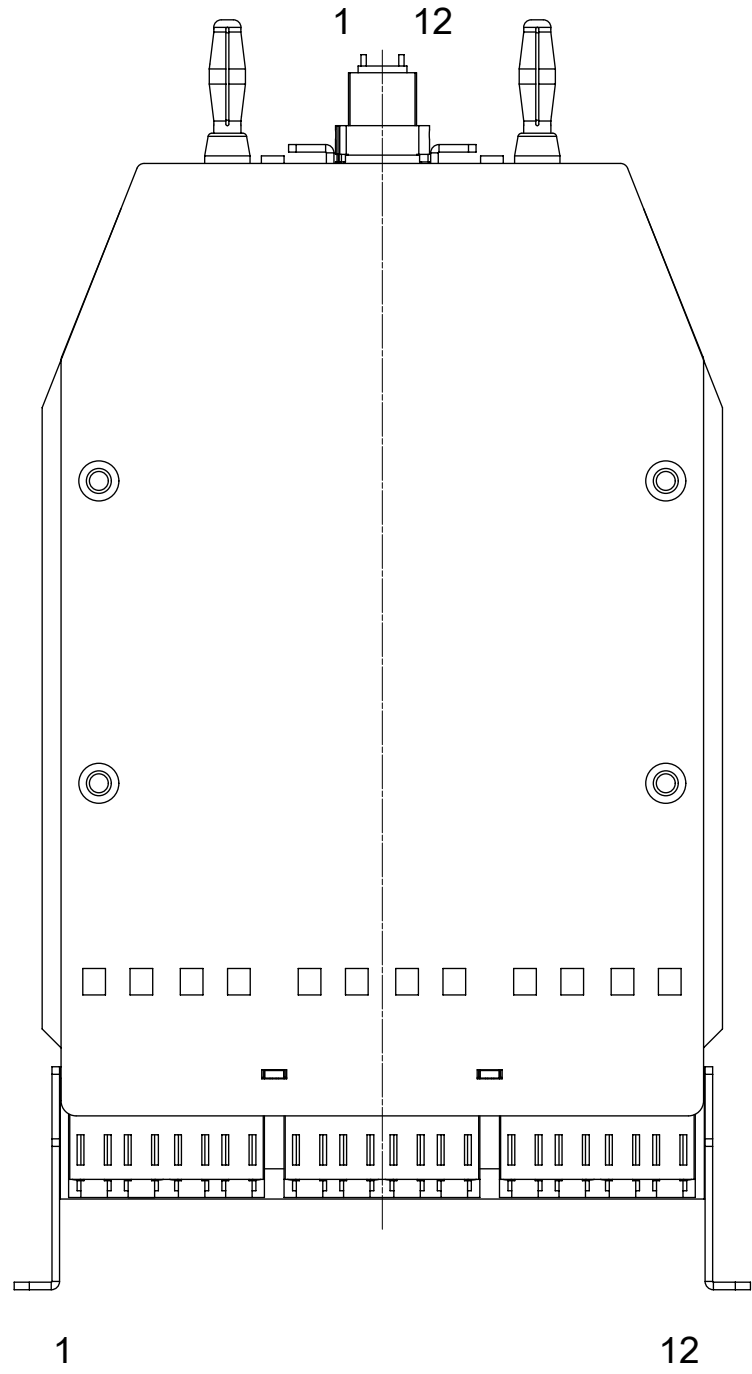
P/N	FIBER TYPE	ADAPTER COLOR	FAN-OUT TYPE	
			MTP CONN.	LC CONN.
1064810000	SM-G657A	BLUE	Male/APC	PC
1064810001	MM-OM3	AQUA	Male/PC	
1064810002	MM-OM4			



NOTES:

1. MATERIAL: SPCC t=1.0mm.
2. FINISH: LIQUID COATING.
3. COLOR: BLACK.

SYMBOLS	THIS DRAWING CONTAINS INFORMATION THAT IS PROPRIETARY TO MOLEX ELECTRONIC TECHNOLOGIES, LLC AND SHOULD NOT BE USED WITHOUT WRITTEN PERMISSION													
	DIMENSION UNITS		SCALE		CURRENT REV DESC:									
	mm		1:2		molex HIGH DENSITY CASSETTE WITH 3PCS LC QUAD ZRO2 ADAPTER PRODUCT CUSTOMER DRAWING									
	GENERAL TOLERANCES (UNLESS SPECIFIED)										EC NO: 603580		2018/08/23	
	ANGULAR TOL ± °										DRWN: IGUMIN		2018/10/06	
	4 PLACES ±										CHK'D: WCHEN		2018/10/06	
	3 PLACES ±				APPR: WCHEN		2018/10/06		DOCUMENT NUMBER					
	2 PLACES ±				INITIAL REVISION:									
	1 PLACE ±				DRWN: IGUMIN		2018/06/29		1064810000					
	0 PLACES ±				APPR: IGUMIN		2018/07/02		PSD 001 A1					
DRAFT WHERE APPLICABLE MUST REMAIN WITHIN DIMENSIONS				THIRD ANGLE PROJECTION		DRAWING		SERIES						
				B-SIZE		106481		MATERIAL NUMBER						
				SEE TABLE		CUSTOMER		SHEET NUMBER						
								1 OF 2						



1. Product Optical Specification

Item	Parameters	Note	Min.	Typ.	Max.	Unit
1	Operating Wavelength ¹	Single-Mode	1310 / 1550		nm	
		Multimode	850			
2	Insertion Loss ^{1,2} (MPO side)	Single-Mode Elite			0.35	dB
		Multi-Mode Elite			0.35	
3	Insertion Loss ^{1,2} (Fan-out side)	Single-Mode PC			0.20	dB
		Multi-Mode PC			0.30	
4	Return Loss ^{1,2} (MPO side)	Single-Mode	60			dB
		Multi-Mode	N/A			
5	Return Loss ^{1,2} (Fan-out side)	Single-Mode PC	50			dB
		Multi-Mode PC	N/A			

Note:
 1. Single-mode loss test to be performed at 1310nm and 1550nm. Multimode loss test to be performed at 850nm. IL and RL must be tested at room temperature. (Multimode RL testing is not required.)
 2. Consistent optical performance for multimode (flat protruded polish) and single-mode (Angled protruded polish).

2. Product Channel Identification Table

MPO (1-12)	FRONT LC PORT	P1	P2	P3	P4	P5	P6	P7	P8	P9	P10	P11	P12
	FIBER COLOR	BL	OR	GR	BR	SL	WH	RD	BK	YL	VI	RO	AQ

SYMBOLS ▽ = 0 ▽ = 0 ▽ = 0 ▽ = 0 ▽ = 0 ▽ = 0 ▽ = 0 ▽ = 0 ▽ = 0 ▽ = 0	THIS DRAWING CONTAINS INFORMATION THAT IS PROPRIETARY TO MOLEX ELECTRONIC TECHNOLOGIES, LLC AND SHOULD NOT BE USED WITHOUT WRITTEN PERMISSION		CURRENT REV DESC:		 HIGH DENSITY CASSETTE WITH 3PCS LC QUAD ZRO2 ADAPTER
	DIMENSION UNITS	SCALE	EC NO: 603580		
	mm	1:1	DRWN: IGUMIN 2018/08/23		
	GENERAL TOLERANCES (UNLESS SPECIFIED)		CHK'D: WCHEN 2018/10/06		
	ANGULAR TOL ± °		APPR: WCHEN 2018/10/06		PRODUCT CUSTOMER DRAWING
	4 PLACES ±		INITIAL REVISION:		DOCUMENT NUMBER
	3 PLACES ±		DRWN: IGUMIN 2018/06/29		1064810000
	2 PLACES ±		APPR: IGUMIN 2018/07/02		DOC TYPE DOC PART REVISION
	1 PLACE ±		THIRD ANGLE PROJECTION		PSD 001 A1
	0 PLACES ±		DRAWING		MATERIAL NUMBER
DRAFT WHERE APPLICABLE MUST REMAIN WITHIN DIMENSIONS		SERIES		CUSTOMER	
		B-SIZE 106481		SEE TABLE	
				SHEET NUMBER	
				2 OF 2	