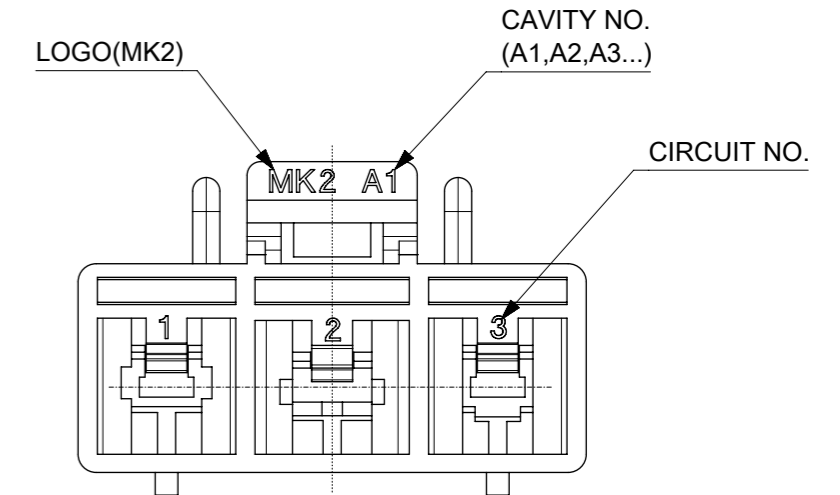
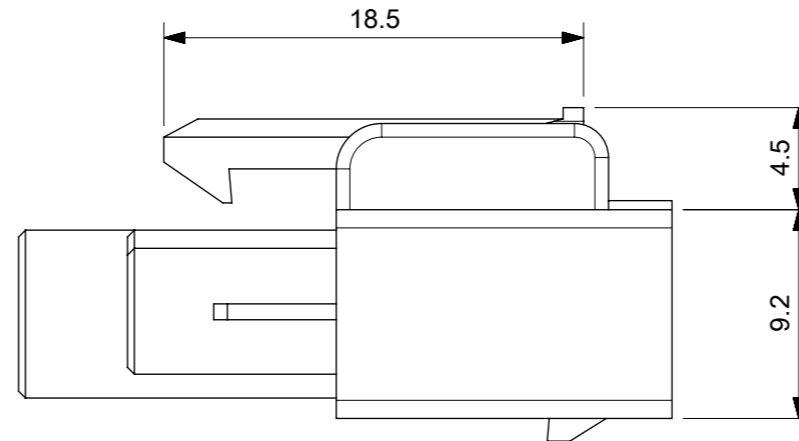
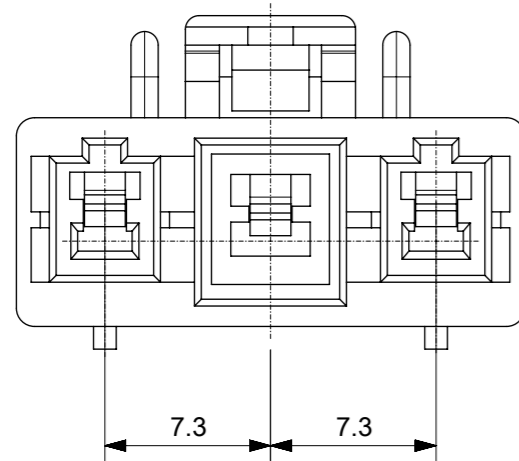
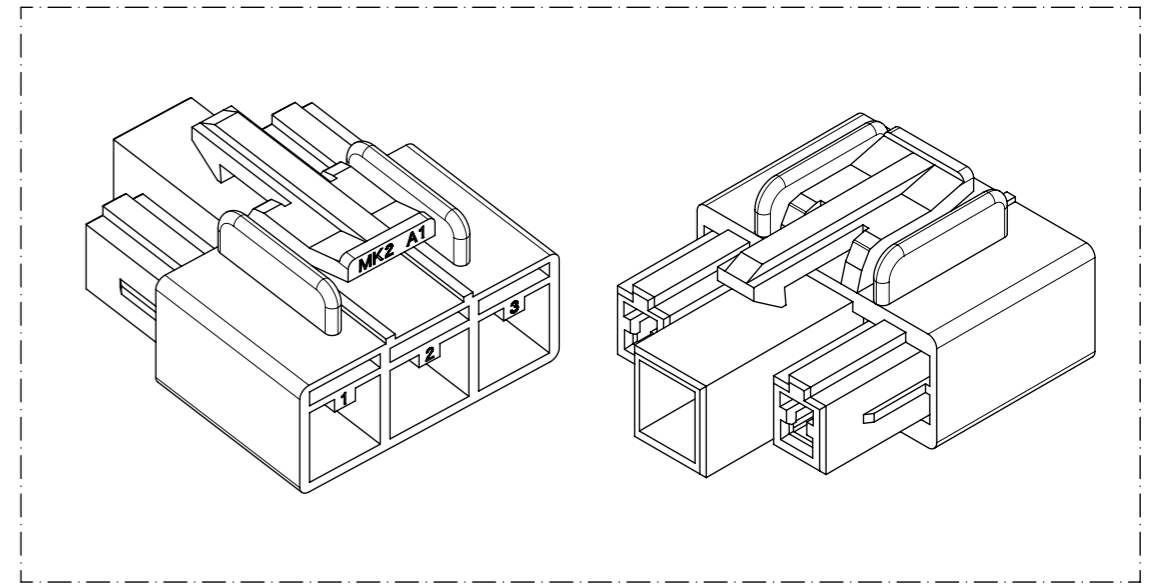


NOTE

1. MATERIALS : SEE TABLE
2. MATED HOUSING : 35150-*30*, 35150-*31*
35186-0610, 35524-*92*
3. APPLICABLE TPA : 35150-039*
4. APPLICABLE TERMINAL : 35746-0*10 (1 CIRCUIT)
35745-0*10 (2 CIRCUIT)
35748-0*10 (3 CIRCUIT)
5. PRODUCT SPECIFICATION : PS-35150-001
PS-35150-003
PS-35524-001
6. PACKAGING SPECIFICATION : PK-35151-004



NO.	MATERIAL		PRODUCT	
	DESCRIPTION	COLOR	MATERIAL NO.	PART NO.
1	PET/PC (UL94V-0)	BLUE	351514319	35151-4319
2		YELLOW	351513319	35151-3319
3		RED	351512319	35151-2319
4		NATURAL	351510319	35151-0319
5	PBT (UL94V-0)	BLUE	351510314	35151-0314
6		NATURAL	351510310	35151-0310

THIS DRAWING CONTAINS INFORMATION THAT IS PROPRIETARY TO MOLEX ELECTRONIC TECHNOLOGIES, LLC AND SHOULD NOT BE USED WITHOUT WRITTEN PERMISSION									
QUALITY SYMBOLS	EC NO: 169553 DRWN: JBJIN CHK'D: SHCHU APPR: YSKIM02	GENERAL TOLERANCES (UNLESS SPECIFIED)		DIMENSION UNITS	SCALE				
		ANGULAR TOL ± 1.0 °		mm	3:1				
▽ = 0	F REV	4 PLACES ±	DRWN BY	DATE		7.3 PITCH W/W CONN. FEMALE HOUSING -3P			
▽ = 0		3 PLACES ±	SCHONG03	2017/09/20					
▽ = 0		2 PLACES ±	CHK'D BY	DATE					
▼ = 0		1 PLACE ± 0.3	SHCHU	2017/09/20					
▽ = 0		0 PLACES ±	APPR BY	DATE					
▽ = 0		DRAFT WHERE APPLICABLE MUST REMAIN WITHIN DIMENSIONS	YSKIM02	2017/12/18					
▽ = 0		DRAWING SIZE	THIRD ANGLE PROJECTION		PRODUCT CUSTOMER DRAWING				
		A3			SERIES	MATERIAL NUMBER	CUSTOMER		
					35151	SEE TABLE	GENERAL MARKET		
					DOCUMENT NUMBER		DOC TYPE	DOC PART	SHEET NUMBER
					SD-35151-031		PSD	001	1 OF 2