



Micro Commercial Components



Micro Commercial Components  
20736 Marilla Street Chatsworth  
CA 91311  
Phone: (818) 701-4933  
Fax: (818) 701-4939

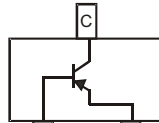
# MMBT2907A

## PNP General Purpose Amplifier

### Features

- Lead Free Finish/RoHS Compliant ("P" Suffix designates RoHS Compliant. See ordering information)
- Capable of 350mWatts of Pd, 600mA continuous collector current.
- Operating and Storage Junction Temperatures: -55°C to 150°C
- Epoxy meets UL 94 V-0 flammability rating
- Moisture Sensitivity Level 1
- Marking : 2F
- Thermal Resistance, Junction to Ambient: 500°C/W
- Halogen free available upon request by adding suffix "-HF"

Pin Configuration  
Top View



### Electrical Characteristics @ 25°C Unless Otherwise Specified

Symbol	Parameter	Min	Max	Units
--------	-----------	-----	-----	-------

#### OFF CHARACTERISTICS

$V_{(BR)CEO}$	Collector-Emitter Breakdown Voltage* ( $I_C=-10\text{mA}$ , $I_B=0$ )	-60		Vdc
$V_{(BR)CBO}$	Collector-Base Breakdown Voltage ( $I_C=-10\mu\text{A}$ , $I_E=0$ )	-60		Vdc
$V_{(BR)EBO}$	Emitter-Base Breakdown Voltage ( $I_E=-10\mu\text{A}$ , $I_C=0$ )	-5.0		Vdc
$I_{BL}$	Base Cutoff Current ( $V_{CE}=-30\text{Vdc}$ , $V_{BE}=-0.5\text{Vdc}$ )		-50	nAdc
$I_{CEX}$	Collector Cutoff Current ( $V_{CE}=-30\text{Vdc}$ , $V_{BE}=-0.5\text{Vdc}$ )		-50	nAdc
$I_{CBO}$	Collector Cutoff Current ( $V_{CB}=-50\text{Vdc}$ , $I_E=0$ ) ( $V_{CB}=-50\text{Vdc}$ , $I_E=0$ , $T_A=150^\circ\text{C}$ )		-0.1 -10.0	$\mu\text{Adc}$

#### ON CHARACTERISTICS

$h_{FE}$	DC Current Gain* ( $I_C=-0.1\text{mA}$ , $V_{CE}=-10\text{Vdc}$ ) ( $I_C=-1.0\text{mA}$ , $V_{CE}=-10\text{Vdc}$ ) ( $I_C=-10\text{mA}$ , $V_{CE}=-10\text{Vdc}$ ) ( $I_C=-150\text{mA}$ , $V_{CE}=-10\text{Vdc}$ ) ( $I_C=-500\text{mA}$ , $V_{CE}=-10\text{Vdc}$ )	75 100 100 100 50	300	
$V_{CE(sat)}$	Collector-Emitter Saturation Voltage ( $I_C=-150\text{mA}$ , $I_B=-15\text{mA}$ ) ( $I_C=-500\text{mA}$ , $I_B=-50\text{mA}$ )		-0.4 -1.6	Vdc
$V_{BE(sat)}$	Base-Emitter Saturation Voltage ( $I_C=-150\text{mA}$ , $I_B=-15\text{mA}$ ) ( $I_C=-500\text{mA}$ , $I_B=-50\text{mA}$ )		-1.3 -2.6	Vdc

#### SMALL-SIGNAL CHARACTERISTICS

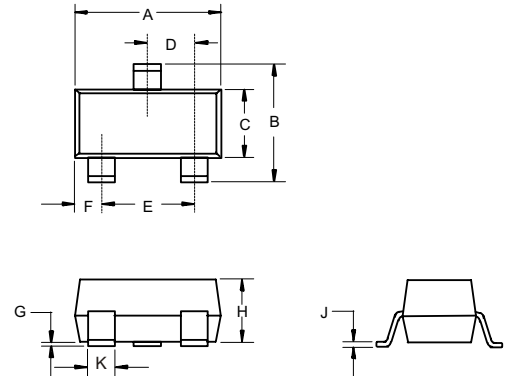
$f_T$	Current Gain-Bandwidth Product ( $I_C=-50\text{mA}$ , $V_{CE}=-20\text{Vdc}$ , $f=100\text{MHz}$ )	200		MHz
$C_{cbo}$	Output Capacitance ( $V_{CB}=-10\text{Vdc}$ , $I_E=0$ , $f=1.0\text{MHz}$ )		8.0	pF
$C_{ibo}$	Input Capacitance ( $V_{EB}=-2.0\text{Vdc}$ , $I_C=0$ , $f=1.0\text{MHz}$ )		30.0	pF

#### SWITCHING CHARACTERISTICS

$t_d$	Delay Time	( $V_{CC}=-3.0\text{Vdc}$ , $I_C=-150\text{mA}$ )	10	ns
$t_r$	Rise Time	( $I_{B1}=-15\text{mA}$ )	40	ns
$t_s$	Storage Time	( $V_{CC}=-3.0\text{Vdc}$ , $I_C=-150\text{mA}$ )	80	ns
$t_f$	Fall Time	( $I_{B1}=I_{B2}=-15\text{mA}$ )	30	ns

\*Pulse Width  $\leq 300\mu\text{s}$ , Duty Cycle  $\leq 2.0\%$

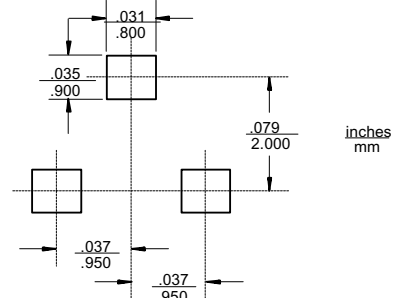
### SOT-23



DIMENSIONS

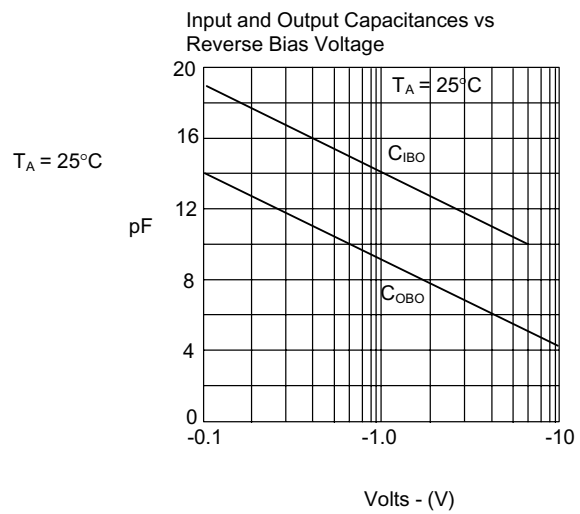
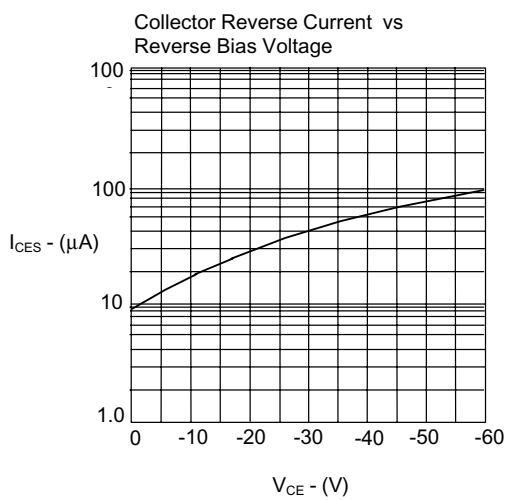
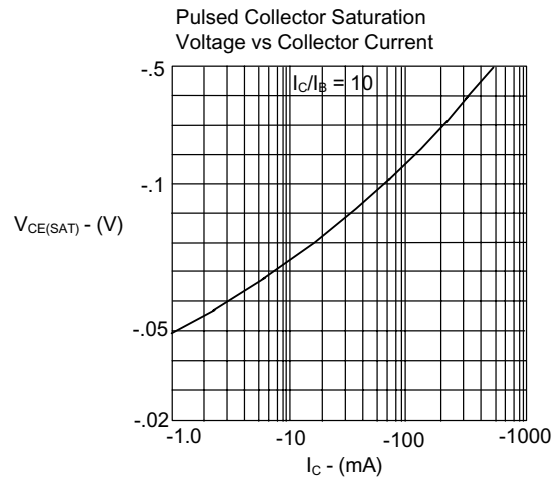
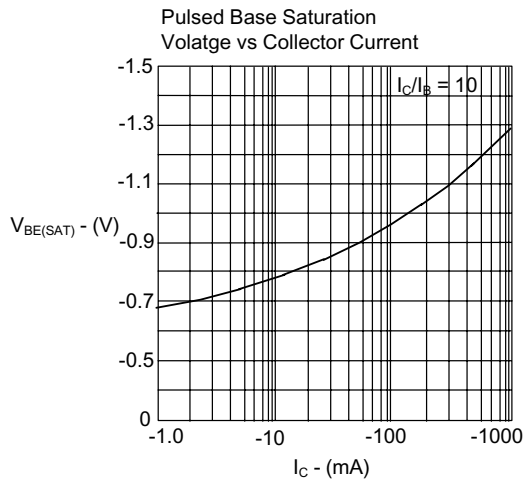
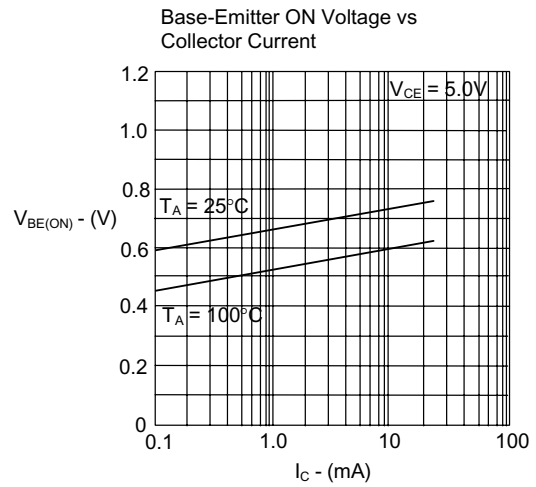
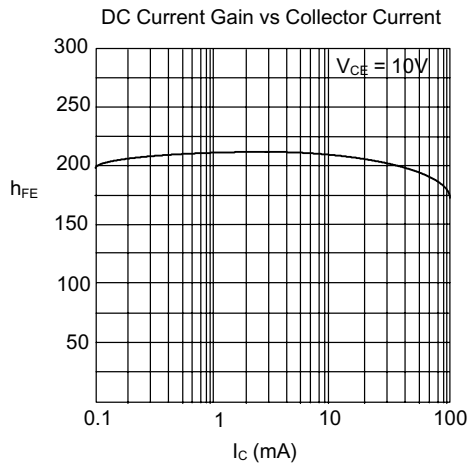
DIM	INCHES		MM		NOTE
	MIN	MAX	MIN	MAX	
A	.110	.120	2.80	3.04	
B	.083	.104	2.10	2.64	
C	.047	.055	1.20	1.40	
D	.035	.041	.89	1.03	
E	.070	.081	1.78	2.05	
F	.018	.024	.45	.60	
G	.0005	.0039	.013	.100	
H	.035	.044	.89	1.12	
J	.003	.007	.085	.180	
K	.015	.020	.37	.51	

#### Suggested Solder Pad Layout

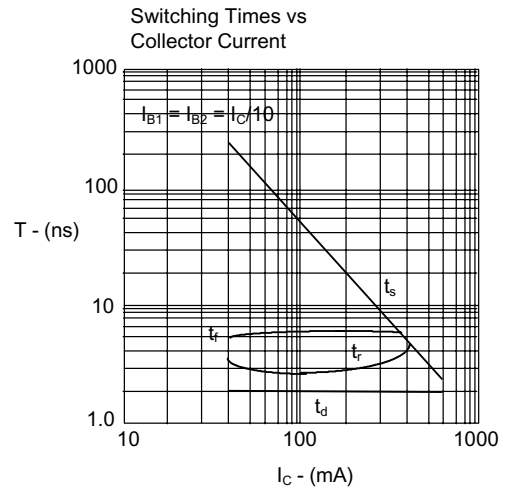
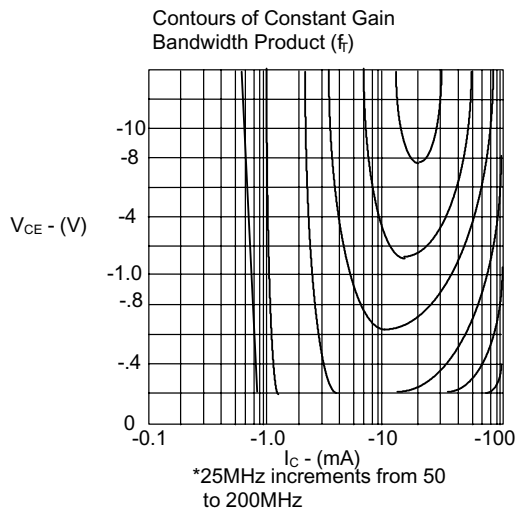
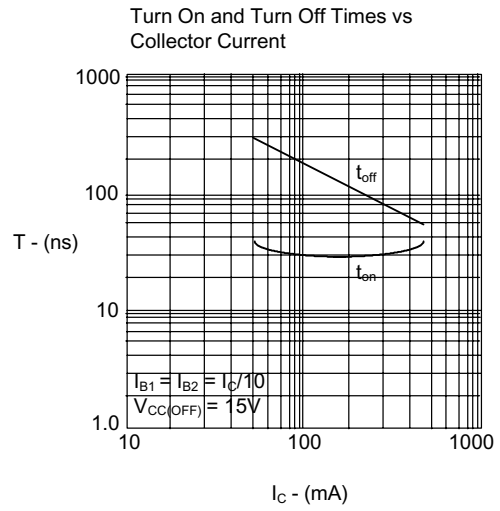
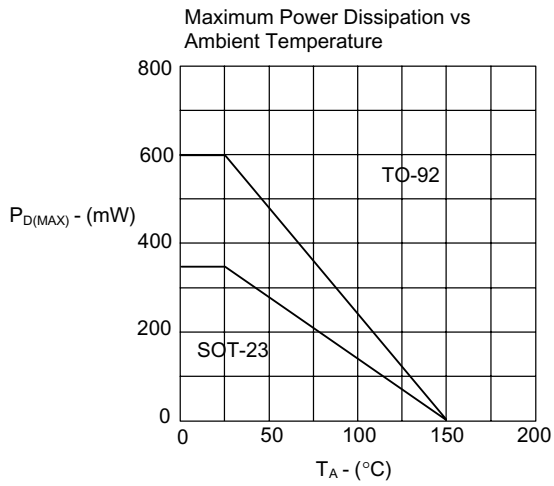


[www.mccsemi.com](http://www.mccsemi.com)

# MMBT2907A



# MMBT2907A





**Ordering Information :**

Device	Packing
Part Number-TP	Tape&Reel; 3Kpcs/Reel

Note : Adding "-HF" suffix for halogen free, eg. Part Number-TP-HF

<b>***IMPORTANT NOTICE***</b>
<p><b>Micro Commercial Components Corp.</b> reserves the right to make changes without further notice to any product herein to make corrections, modifications , enhancements , improvements , or other changes . <b>Micro Commercial Components Corp .</b> does not assume any liability arising out of the application or use of any product described herein; neither does it convey any license under its patent rights ,nor the rights of others . The user of products in such applications shall assume all risks of such use and will agree to hold <b>Micro Commercial Components Corp .</b> and all the companies whose products are represented on our website, harmless against all damages.</p>
<b>***LIFE SUPPORT***</b>
<p>MCC's products are not authorized for use as critical components in life support devices or systems without the express written approval of Micro Commercial Components Corporation.</p>
<b>***CUSTOMER AWARENESS***</b>
<p>Counterfeiting of semiconductor parts is a growing problem in the industry. Micro Commercial Components (MCC) is taking strong measures to protect ourselves and our customers from the proliferation of counterfeit parts. MCC strongly encourages customers to purchase MCC parts either directly from MCC or from Authorized MCC Distributors who are listed by country on our web page cited below. Products customers buy either from MCC directly or from Authorized MCC Distributors are genuine parts, have full traceability, meet MCC's quality standards for handling and storage. <b>MCC will not provide any warranty coverage or other assistance for parts bought from Unauthorized Sources.</b> MCC is committed to combat this global problem and encourage our customers to do their part in stopping this practice by buying direct or from authorized distributors.</p>