

**GC4701-6LP**  
**Datasheet**  
**DC–15 GHz Surface Mount Limiter PIN Diode**

Released  
December 2017



## Contents

---

<b>1</b>	<b>Revision History</b>	<b>1</b>
1.1	Revision 2.0	1
1.2	Revision 1.0	1
<b>2</b>	<b>Product Overview</b>	<b>2</b>
2.1	Applications	2
2.2	Benefits	2
2.3	Key Features	3
<b>3</b>	<b>Electrical Specifications</b>	<b>4</b>
3.1	Absolute Maximum Ratings	4
3.2	Device Electrical Parameters	4
3.3	Typical RF Performance	4
<b>4</b>	<b>Small Signal Characteristics</b>	<b>5</b>
<b>5</b>	<b>Transfer Characteristics</b>	<b>6</b>
5.1	CW Multi-Stage Transfer Characteristics	7
5.2	Pulsed Multi-Stage Transfer Characteristics	9
<b>6</b>	<b>Application Schematic and Recommended Board Layout</b>	<b>11</b>
<b>7</b>	<b>Package Specifications</b>	<b>12</b>
7.1	Package Dimensions	12
7.2	Package Outline	12
<b>8</b>	<b>Evaluation Board Assembly</b>	<b>13</b>
<b>9</b>	<b>Tape-and-Reel Format</b>	<b>14</b>
<b>10</b>	<b>Ordering Information</b>	<b>15</b>

# 1 Revision History

---

The revision history describes the changes that were implemented in the document. The changes are listed by revision, starting with the most current publication.

## 1.1 Revision 2.0

Revision 2.0 was published in December 2017. In Revision 2.0 of this document, the following changes were made:

- The [CW Multi-Stage Transfer Characteristics \(see page 7\)](#) and [Pulsed Multi-Stage Transfer Characteristics \(see page 9\)](#) sections were added.
- The [Application Schematic and Recommended Board Layout \(see page 11\)](#) section was added.

## 1.2 Revision 1.0

Revision 1.0 was published in September 2016. It was the first publication of this document.

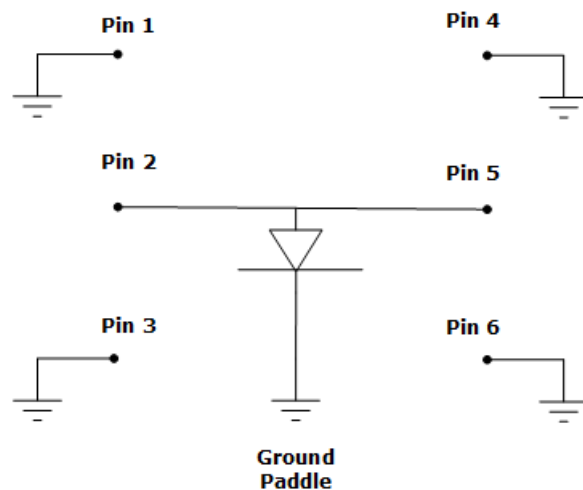
## 2 Product Overview

This SMT limiting diode element consists of a specially processed PIN diode packaged in a convenient, low-cost plastic outline suitable for standard or co-planar microstrip circuits. Featuring low-loss, low turn-on, and high self-biased isolation, these devices are designed for use in passive or active limiters at frequencies through X band.

This surface mount limiter meets RoHS requirements according to EU directives 2011/65/EC and 2002/95 EC.

The following illustration shows the primary functional blocks of the GC4701-6LP device.

**Figure 1 • Functional Block Diagram**



### 2.1 Applications

A diode limiter is a power-sensitive variable attenuator that uses the non-linear properties of the diode to provide an impedance mismatch when sufficient amounts of RF power are incident on the device. The output power is reduced to a level that will not overdrive a receiver, burn out a mixer, or otherwise compromise the device. For varying input power levels in excess of the diode's threshold level, the limiter's output power tends to remain constant.

A passive limiter is one in which the limiter diodes are turned on by the RF signal itself. An active limiter is one in which the limiter diodes are turned on primarily by an external bias current typically supplied by a Schottky detector diode that senses the incident signal.

Since limiter diodes are not designed to dissipate large amounts of power, the limiter must reflect or divert the excess incident power back to the source or to another load (through a circulator or a hybrid coupler, for example).

QFN limiting diode elements may be used in microstrip, co-planar microstrip, or other media. Single or cascaded devices may be used, depending on power levels.

### 2.2 Benefits

The GC4701-6LP device provides the following application benefits:

- Receiver protection circuits
- Amplifier protection

## 2.3 Key Features

The following are key features of the GC4701-6LP device:

- Small 1.6 mm × 1.6 mm QFN
- GC4701-6LP: Output PIN diode
- Low insertion loss: 0.1 dB at 5 GHz
- Multistage designs
  - GC4212-6LP: Input PIN diode
  - GC9952-6LP: Schottky driver
- Suitable for applications to 15 GHz
- Excellent flat leakage performance
- Low-P1dB compression point: 10 dBm
- RoHS compliant

## 3 Electrical Specifications

This section details the electrical specifications of the GC4701-6LP device.

### 3.1 Absolute Maximum Ratings

The following table shows the absolute maximum ratings of the GC4701-6LP device.

**Table 1 • Absolute Maximum Ratings**

Rating	Symbol	Value	Unit
Maximum leakage current (at 80% of minimum-rated $V_B$ )	$I_R$	500	nA
Operating temperature	$T_{OP}$	–55 to 150	°C
Storage temperature	$T_{STG}$	–65 to 150	°C
ESD sensitivity (HBM)		Class 1A	
Moisture sensitivity level		MSL 1	

### 3.2 Device Electrical Parameters

The following table shows the GC4701-6LP device electrical parameters at 25 °C where the pulse length is 1  $\mu$ s.

**Table 2 • Device Electrical Parameters**

Parameter	Units	Condition	Min	Typ	Max
$V_B$	V	$I_R = 10 \mu A$	20	25	
$I_R$	nA	$V_R = 16 V$			500
CT	pF	$V_R = 0 V, f = 1 MHz$		0.45	
CT	pF	$V_R = 10 V, f = 1 MHz$		0.35	0.4
$R_S$	$\Omega$	$I_F = 10 mA, f = 1 GHz$		1.5	2.0
$T_L$	ns	$I_F = 10 mA, I_R = 6 mA$		10	
Thermal resistance	°C/W	I heat = 0.5 A			50

### 3.3 Typical RF Performance

The following table shows the typical RF performance of the GC4701-6LP device at 25 °C.

**Table 3 • Typical RF Performance**

Parameter	Units	Condition	Min	Typ	Max
Peak power ( $P_{IN}$ )	dBm	1 $\mu$ s, 0.001 duty cycle			50
Leakage power ( $P_{OUT}$ )	dBm	1 $\mu$ s, 0.001 duty cycle		22	
Threshold	dBm	P1dB		10	
CW power ( $P_{IN}$ )	dBm	Continuous			33

## 4 Small Signal Characteristics

The following graphs show the small signal characteristic curves of the GC4701-6LP device.

Figure 2 • GC4701-6LP Insertion Loss

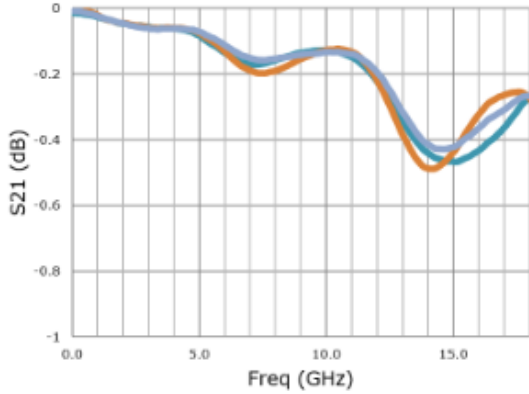


Figure 3 • GC4701-6LP Input Return Loss

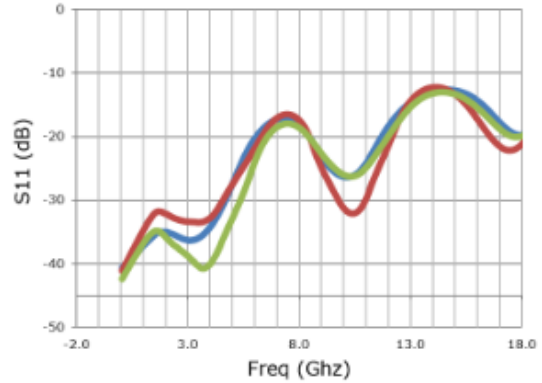


Figure 4 • GC4212-6LP/GC4701-6LP Insertion Loss

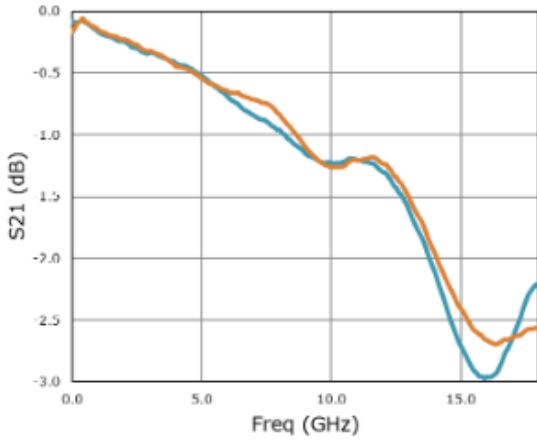


Figure 5 • GC4212-6LP/GC4701-6LP Input Return Loss

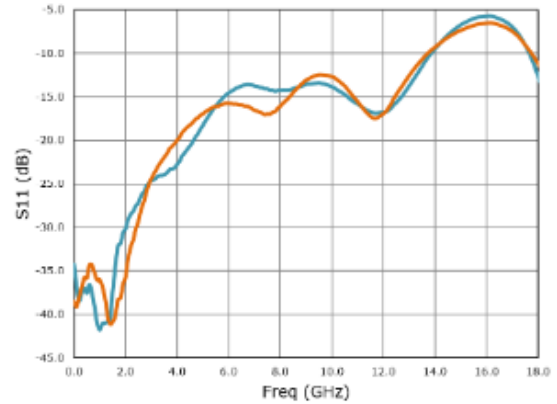


Figure 6 • GC4212-6LP/GC4701-6LP/GC9952-6LP Insertion Loss

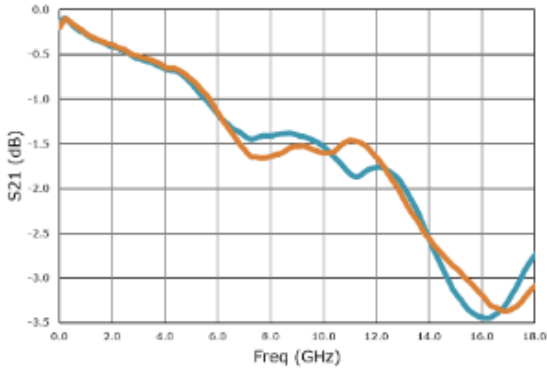
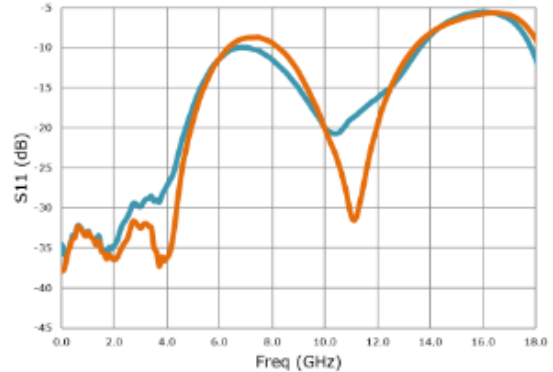


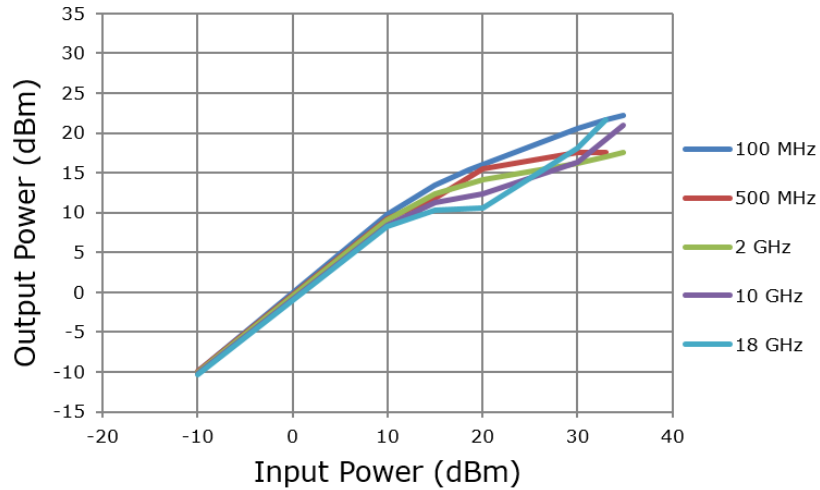
Figure 7 • GC4212-6LP/GC4701-6LP/GC9952-6LP Input Return Loss



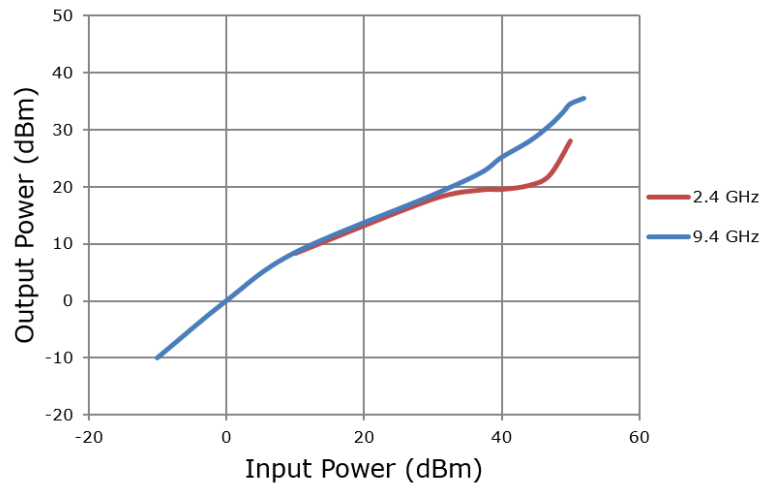
## 5 Transfer Characteristics

The following graphs show the transfer characteristics of the GC4701-6LP device.

**Figure 8 • CW Transfer Characteristics**



**Figure 9 • Pulsed Power Transfer Characteristics**



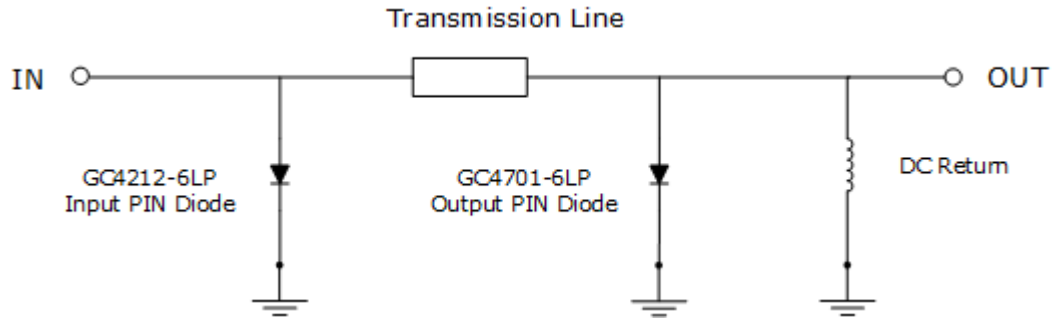


## 5.1 CW Multi-Stage Transfer Characteristics

This section details the CW multi-stage transfer characteristics of the GC4701-6LP device.

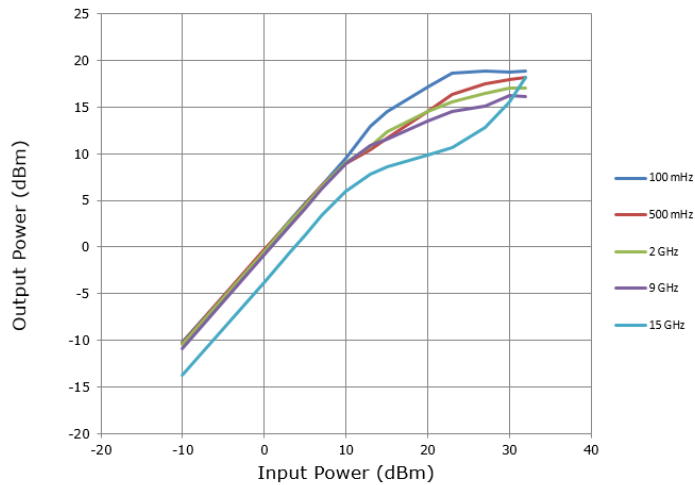
The following drawing shows the application schematic of the GC4212-6LP input PIN diode and the GC4701-6LP output PIN diode.

**Figure 10 • GC4212-6LP and GC4701-6LP Application Schematic**



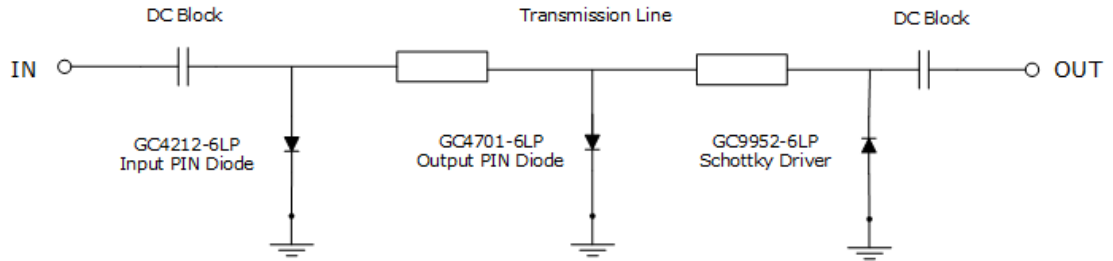
The following graph shows the CW multi-stage transfer characteristics of the GC4212-6LP input PIN diode and the GC4701-6LP output PIN diode.

**Figure 11 • GC4212-6LP and GC4701-6LP CW Multi-Stage Transfer Characteristics**



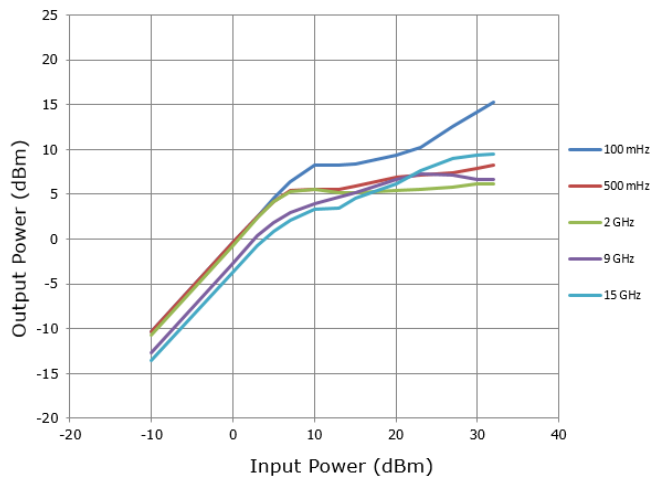
The following drawing shows the application schematic of the GC4212-6LP input PIN diode, GC4701-6LP output PIN diode, and the GC9952-6LP Schottky driver.

**Figure 12 • GC4212-6LP, GC4701-6LP, and GC9952-6LP Application Schematic**



The following graph shows the CW multi-stage transfer characteristics of the GC4212-6LP input PIN diode, the GC4701-6LP output PIN diode, and the GC9952-6LP Schottky driver.

**Figure 13 • GC4212-6LP, GC4701-6LP, and GC9952-6LP CW Multi-Stage Transfer Characteristics**

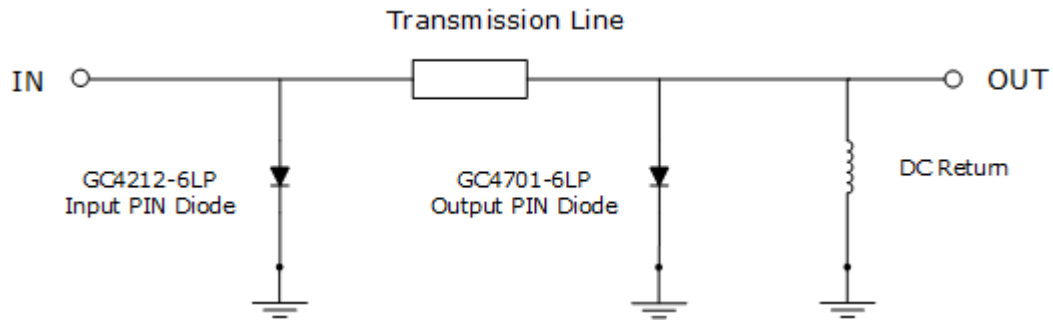


## 5.2 Pulsed Multi-Stage Transfer Characteristics

This section details the pulsed multi-stage transfer characteristics of the GC4701-6LP device at 1  $\mu$ s, 0.001 duty cycle.

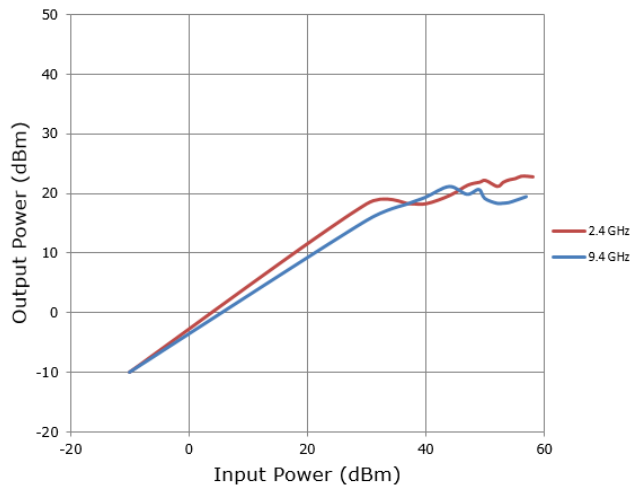
The following drawing shows the pulsed multi-stage application schematic of the GC4212-6LP input PIN diode and the GC4701-6LP output PIN diode.

**Figure 14 • GC4212-6LP and GC4701-6LP Pulsed Multi-Stage Application Schematic**

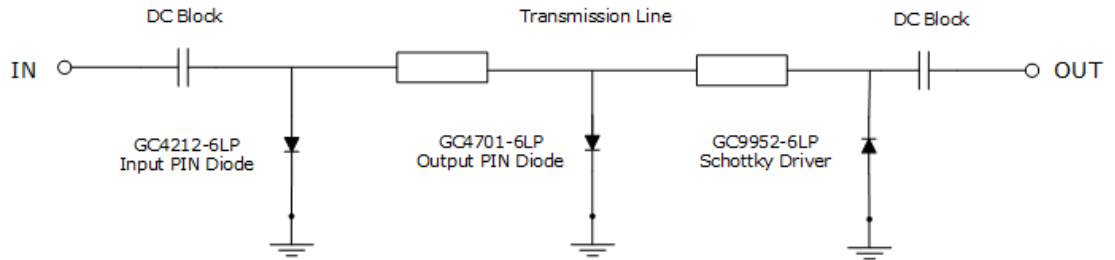


The following graph shows the pulsed multi-stage transfer characteristics of the GC4212-6LP input PIN diode and the GC4701-6LP output PIN diode.

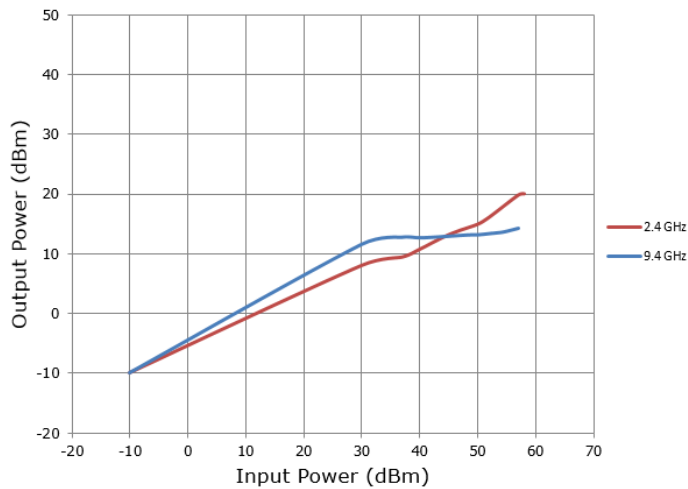
**Figure 15 • GC4212-6LP input PIN diode and GC4701-6LP Pulsed Multi-Stage Transfer Characteristics**



The following drawing shows the pulsed multi-stage application schematic of the GC4212-6LP input PIN diode, GC4701-6LP output PIN diode, and the GC9952-6LP Schottky driver.

**Figure 16 • GC4212-6LP, GC4701-6LP, and GC9952-6LP Pulsed Multi-Stage Application Schematic**


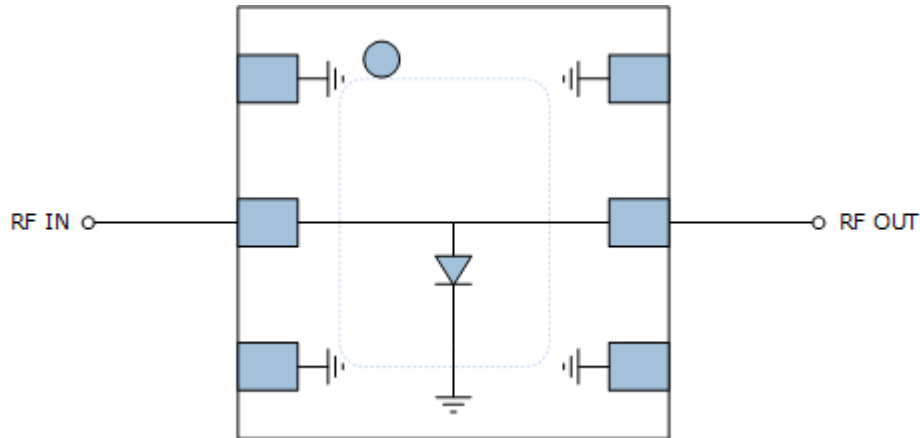
The following graph shows the pulsed multi-stage transfer characteristics of the GC4212-6LP input PIN diode, the GC4701-6LP output PIN diode, and the GC9952-6LP Schottky driver.

**Figure 17 • GC4212-6LP, GC4701-6LP, and GC9952-6LP Pulsed Multi-Stage Transfer Characteristics**


## 6 Application Schematic and Recommended Board Layout

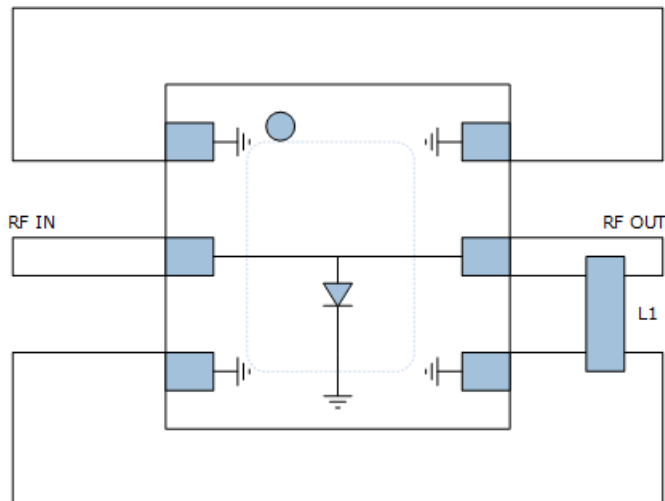
The following drawing shows the application schematic of the GC4701-6LP device.

**Figure 18 • Application Schematic**



The following drawing shows the recommended board layout of the GC4701-6LP device.

**Figure 19 • Recommended Board Layout**



The following table shows the L1 values in nH at different bandwidths.

**Table 4 • L1 Values**

Band Width (GHz)	L1 (nH)
1–2	40–50
2–4	20–25
4–8	10–20
8–15	8–12
1–12	40–50

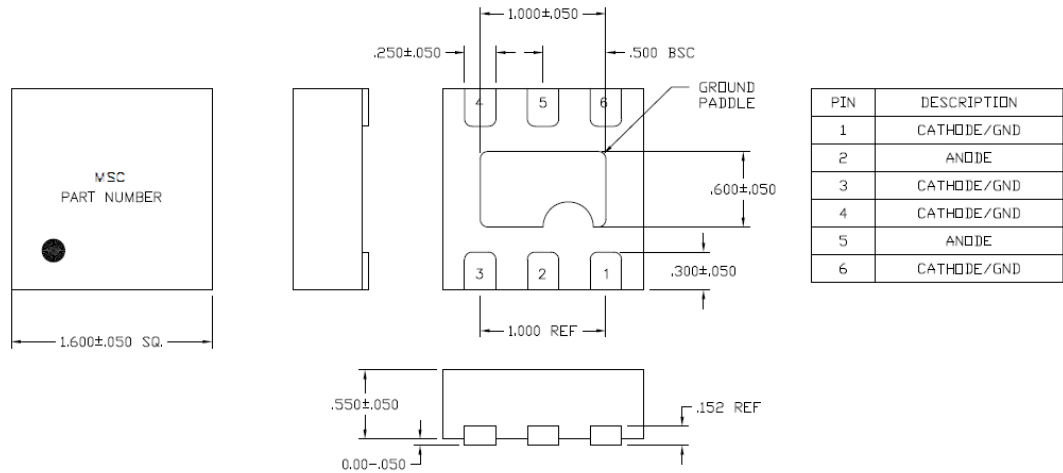
## 7 Package Specifications

This section details the package specifications of the GC4701-6LP device.

### 7.1 Package Dimensions

The following illustration shows the package outline of the GC4701-6LP device. Dimensions are in millimeters [inches].

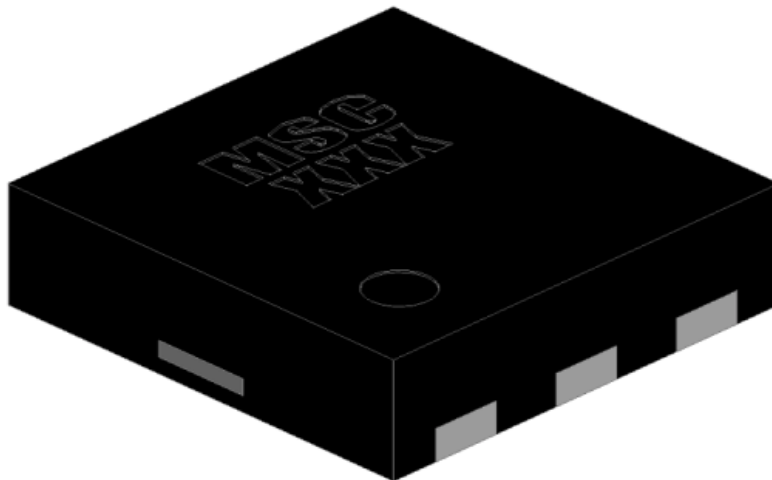
**Figure 20 • Package Dimensions**



### 7.2 Package Outline

The following illustration shows the package outline of the GC4701-6LP device. For additional packaging information, contact your Microsemi sales representative.

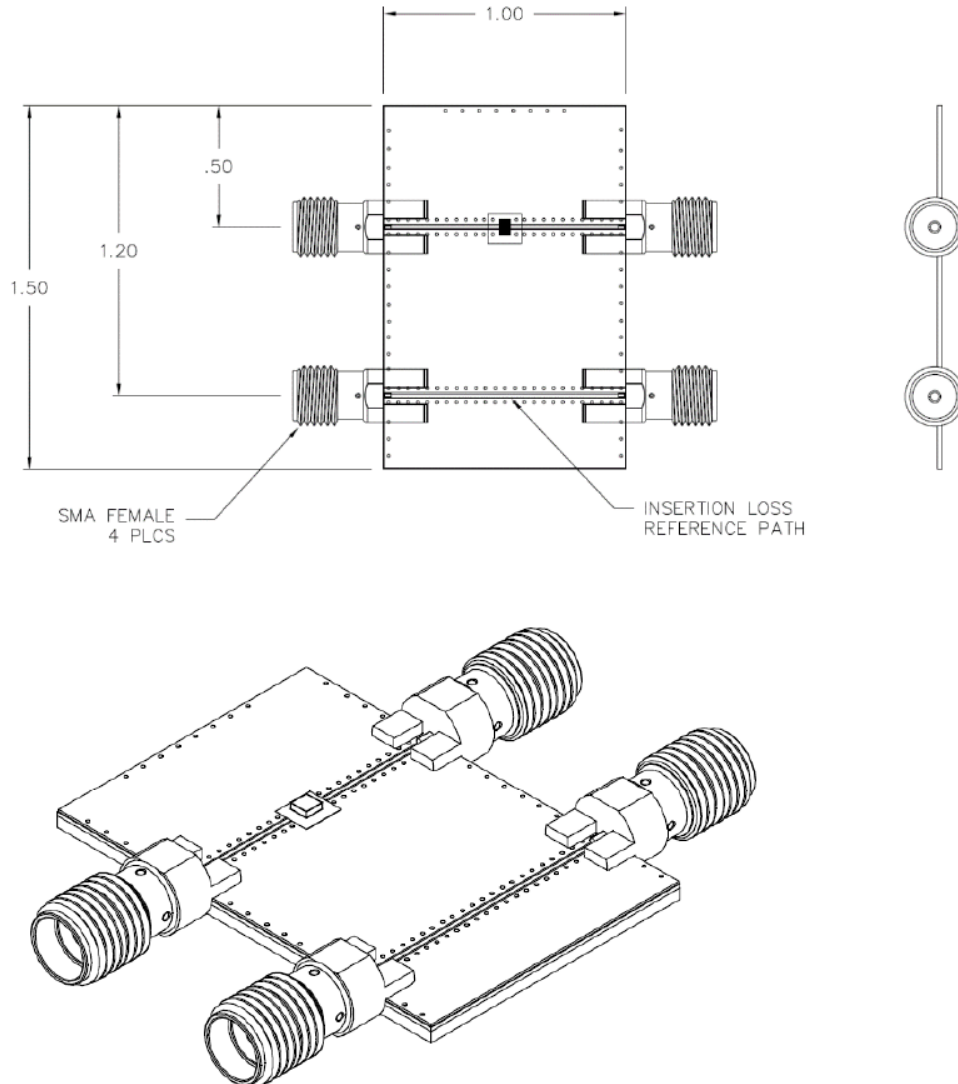
**Figure 21 • Package Outline**



## 8 Evaluation Board Assembly

The following illustrations show the evaluation board assembly of the GC4701-6LP device (ordering part number: MSTF0012). The board material is 0.016 Rogers 4003, 0.5 oz. copper cladding on both sides (starting thickness). It has a full-metal backside and an electroless nickel immersion gold (ENIG) finish on both sides. Solder mask is applied to the topside only. Units are in inches.

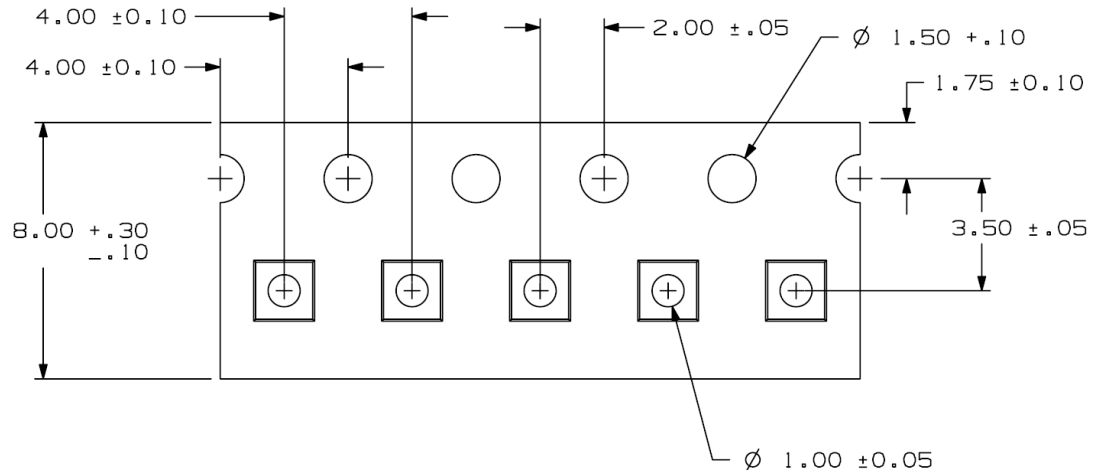
**Figure 22 • Evaluation Board Assembly**



## 9 Tape-and-Reel Format

The following illustration shows the tape-and-reel format of the GC4701-6LP device.

**Figure 23 • Tape-and-Reel Format**





## 10 Ordering Information

---

The following table shows the ordering information for the GC4701-6LP device.

**Table 5 • Ordering Information**

Part Number	Package
GC4701	6LP 1.6 × 1.6 QFN

**Microsemi Corporate Headquarters**

One Enterprise, Aliso Viejo,  
 CA 92656 USA  
 Within the USA: +1 (800) 713-4113  
 Outside the USA: +1 (949) 380-6100  
 Fax: +1 (949) 215-4996  
 Email: [sales.support@microsemi.com](mailto:sales.support@microsemi.com)  
[www.microsemi.com](http://www.microsemi.com)

© 2017 Microsemi Corporation. All rights reserved. Microsemi and the Microsemi logo are trademarks of Microsemi Corporation. All other trademarks and service marks are the property of their respective owners.

Microsemi makes no warranty, representation, or guarantee regarding the information contained herein or the suitability of its products and services for any particular purpose, nor does Microsemi assume any liability whatsoever arising out of the application or use of any product or circuit. The products sold hereunder and any other products sold by Microsemi have been subject to limited testing and should not be used in conjunction with mission-critical equipment or applications. Any performance specifications are believed to be reliable but are not verified, and Buyer must conduct and complete all performance and other testing of the products, alone and together with, or installed in, any end-products. Buyer shall not rely on any data and performance specifications or parameters provided by Microsemi. It is the Buyer's responsibility to independently determine suitability of any products and to test and verify the same. The information provided by Microsemi hereunder is provided "as is, where is" and with all faults, and the entire risk associated with such information is entirely with the Buyer. Microsemi does not grant, explicitly or implicitly, to any party any patent rights, licenses, or any other IP rights, whether with regard to such information itself or anything described by such information. Information provided in this document is proprietary to Microsemi, and Microsemi reserves the right to make any changes to the information in this document or to any products and services at any time without notice.

Microsemi Corporation (Nasdaq: MSCC) offers a comprehensive portfolio of semiconductor and system solutions for aerospace & defense, communications, data center and industrial markets. Products include high-performance and radiation-hardened analog mixed-signal integrated circuits, FPGAs, SoCs and ASICs; power management products; timing and synchronization devices and precise time solutions, setting the world's standard for time; voice processing devices; RF solutions; discrete components; enterprise storage and communication solutions; security technologies and scalable anti-tamper products; Ethernet solutions; Power-over-Ethernet ICs and midspans; as well as custom design capabilities and services. Microsemi is headquartered in Aliso Viejo, California, and has approximately 4,800 employees globally. Learn more at [www.microsemi.com](http://www.microsemi.com).

MSCC-0341-DS-00108-2.00-1017