

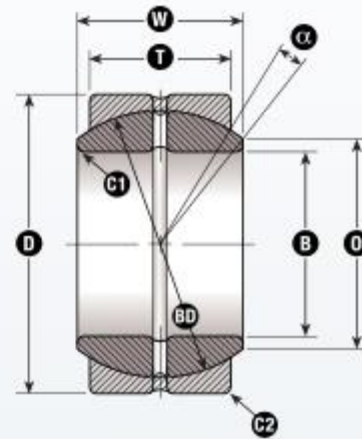
NPB GEZ38ES BEARING

LOAD SERIES INCH | STANDARD DUTY UNSEALED SPHERICAL PLAIN BEARING

NPB Part No. **GEZ38ES**

SPECIFICATIONS

Sealed	No
Ball Bore Diameter	B 1 1/2" [1.500"] ±0.0005
Outside Diameter ¹	D 2.4375" ±0.0006
Ball Width	W 1.312" ±0.005
Race Width	T 1.125" ±0.005
Ball Diameter Ref	BD 2.155"
Tilt Angle ²	α 6 deg
Shoulder Diameter Ref	O 1.630"
Shaft Fillet Max	C1 .023"
Housing Fillet Max	C2 .039"
Static Radial Load ³	84,379 Lbf
Dynamic Radial Load ³	28,129 Lbf



**TYPE ES
UNSEALED**

*Stainless option is available in most sizes.

- ¹ All tolerances in this catalog are before the outer races are fractured and before application of dry film lubricant
- ² Seals may reduce tilt angle
- ³ Ultimate loads for the bearings in this catalog are approximately 1.5 times the catalog load ratings