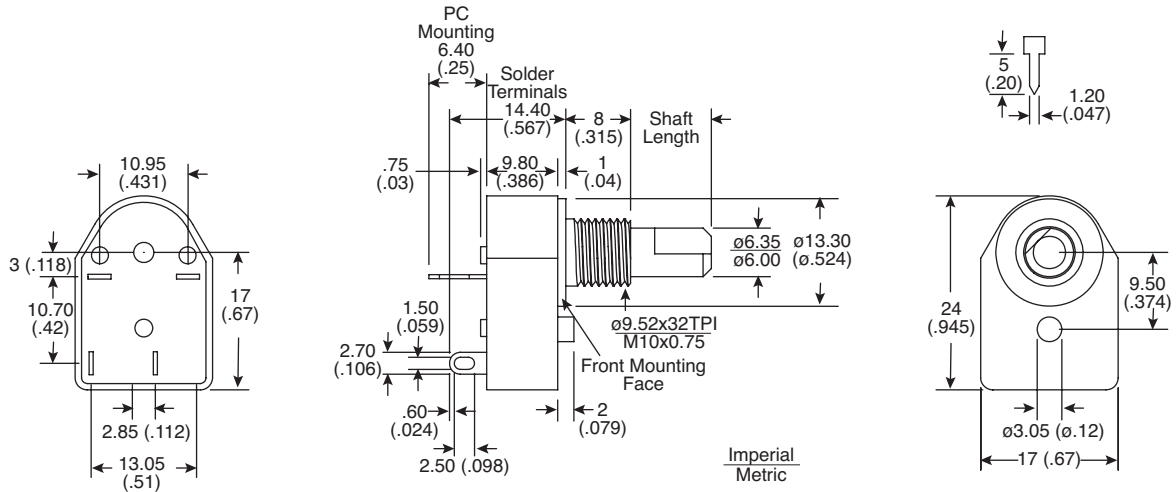


**Dimensions: mm (in.)**



**Electrical Specifications:**

- Rating: 4/80A @ 250VAC R/C, 10A 12VDC
- Proof Voltage: 3KVAC (initial)
- Insulation Resistance: >999M $\Omega$  (initial)
- Contact Resistance: <20m $\Omega$  (initial)

**Mechanical Specifications:**

- Operating temperature: -25°C to +85°C
- Life: >10,000 cycles

**Note:**

- RoHS Compliant

Terminal Type	Standard Metric	Standard Imperial
Solder PCB	10RMS1035 10RMS1130	10RMS1100 10RMS1159

**Materials:**

- Switch Contacts: Silver cadmium oxide
- Switch Chamber: Polyester GF (PBT) V0 Rated
- Tag Panel: SRBP
- Terminals: Brass CZ108, Ag plated

Specifications are subject to change without notice. No liability or warranty implied by this information. Environmental compliance based on producer documentation.

## Rotary Switches

10RMS1100, 10RMS1159, 10RMS1035, 10RMS1130