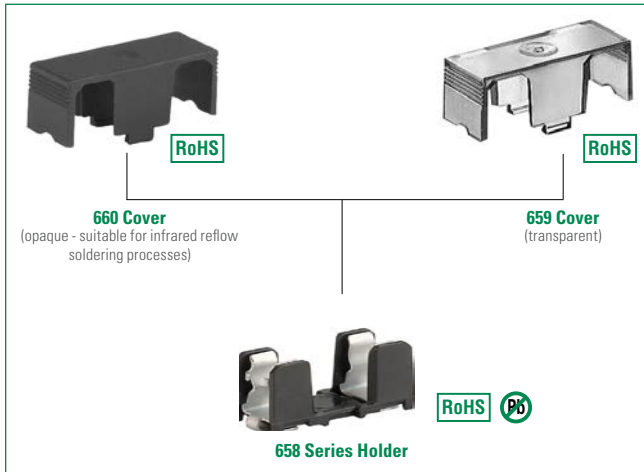


### 658 Series Molded Base Surface Mount Fuse Block For 5x20mm Fuses



### Agency Approval

| Agency | Agency File Number |
|--------|--------------------|
|        | 40001499           |
|        | E70164*            |

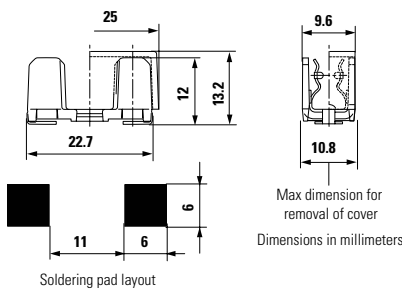
\*See Ordering Info

### Product Characteristics

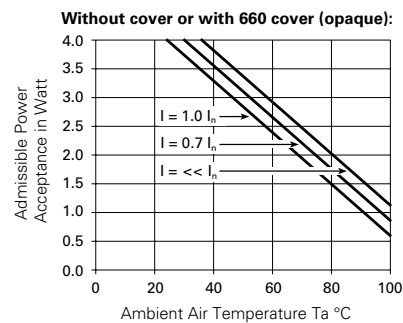
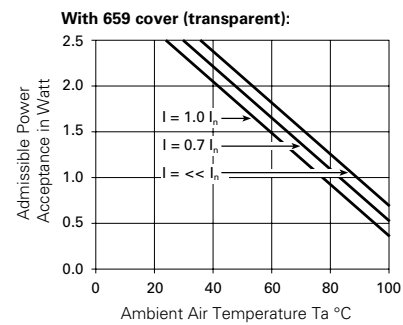
| Compatible Fuse                  | 5x20 mm  |
|----------------------------------|--|
| <b>Materials</b>                 | <b>Clip Frame:</b><br>65800001xxx: UL94 V-0 Black Thermoplastic<br>65800003xxx: UL94 V-0 Black LCP<br>65800004xxx: UL94 V-0 Black LCP                          |
|                                  | <b>Clip Terminals:</b><br>65800001xxx: Tin (Sn) plated copper alloy<br>65800003xxx: Tin (Sn) plated copper alloy<br>65800004xxx: Gold (Au) plated copper alloy |
|                                  | <b>Electrical Data</b>   |
|                                  | <b>Rated Voltage:</b><br>250 Vac (VDE);<br>250 Vac/dc (UL/CSA)   |
|                                  | <b>Rated Current:</b> 10A  |
|                                  | <b>Rated Power Acceptance</b> (at ambient air temp 23°C):<br>- 4W without cover<br>- 4W with 660 cover<br>- 2.5W with 659 cover                                |
| <b>Mounting</b>                  | SMT. Reflow soldering  |
| <b>Operating Temperature</b>     | -40°C to +85°C   |
| <b>Stock Conditions</b>          | 0°C to +60°C, max 70% Relative humidity  |
| <b>Vibration Resistance</b>      | According to IEC 60068-2-6, test Fc  |
| <b>Contact Resistance</b>        | < 5 mΩ at 20 mV  |
| <b>Dielectric Strength</b>       | > 3kV, 50 Hz, 1 min.   |
| <b>Impulse withstand Voltage</b> | > 4 kV between L-N   |
| <b>Insulation Resistance</b>     | (500 V DC/1 min): > 10 MΩ  |
| <b>Solderability</b>             | 245 - 260°C / max. 30 sec. acc. to JEDEC J-STD-020D  |
| <b>Soldering Profile</b>         | JEDEC J-STD-020C:<br>- 65800001xxx: 245(+0/-5)°C / 30 sec max.<br>- 65800003xxx: 260(+0/-5)°C / 30 sec max.<br>- 65800004xxx: 260(+0/-5)°C / 30 sec max.       |

**Note:** If used with covers, refer to [Fuseology](#) for information on proper fuse block re-rating.

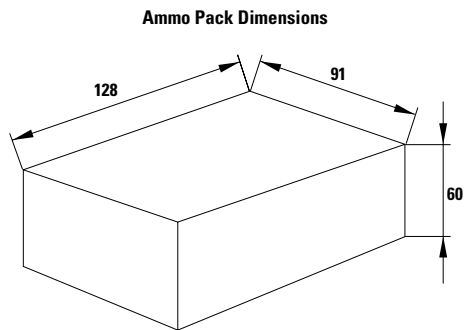
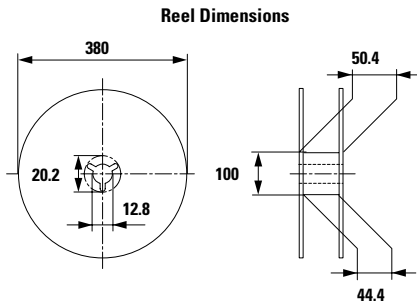
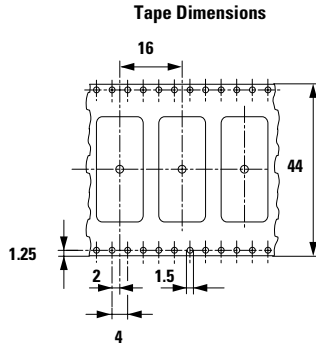
### Dimensions



### Re-Rating Curves



### Packaging Dimensions (millimeter)



### Ordering Information

|                     |  |
|---------------------|--|
| <b>65800001009</b>  | Fuse Holder - Thermoplastic / Tin terminals (100 pcs bulk)   |
| <b>65800001109</b>  | Fuse Holder - Thermoplastic / Tin terminals (400 pcs tape & reel)  |
| <b>65800003009*</b> | Fuse Holder - LCP plastic / Tin terminals (100 pcs bulk)   |
| <b>65800003109*</b> | Fuse Holder - LCP plastic / Tin terminals (400 pcs tape & reel)  |
| <b>65800004009*</b> | Fuse Holder - LCP plastic / Gold terminals (100 pcs bulk)  |
| <b>65800004109*</b> | Fuse Holder - LCP plastic / Gold terminals (400 pcs tape & reel)   |
| <b>65900001009</b>  | Fuse Holder Cover - Transparent plastic (100 pcs bulk)   |
| <b>66000001009</b>  | Fuse Holder Cover - Opaque plastic, suitable for infrared (IR) reflow soldering processes (100 pcs bulk) |

\* Not UL Recognized or CSA.

### Additional Information



**Datasheet**  
658 Series



**Resources**  
658 Series



**Samples**  
658 Series

659 Series



**Resources**  
659 Series



**Samples**  
659 Series

660 Series



**Resources**  
660 Series



**Samples**  
660 Series