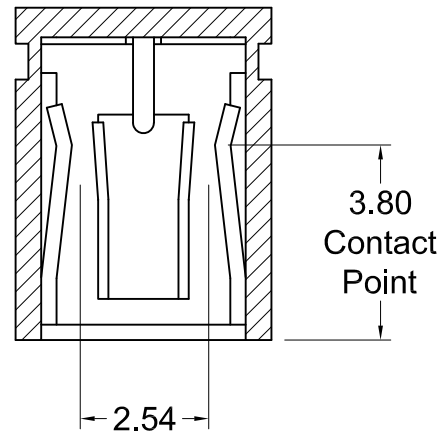


A Type



**Materials and Finish**

Body: PBT Thermoplastic,  
30% Glass Filled,  
UL94V-0 Rated,  
Black Color

Contact Material: Brass,  
Whole Terminal Nickel Plated, With  
Gold Flash Plated In Contact Area

**Electrical Specifications**

Contact Current Rating:  
3 Amp Max.

Contact Resistance:  
20 milliohms Max.

Dielectric Withstanding Voltage:  
AC 650 Volts RMS

Insulation Resistance:  
1000 Megohms Min.

Temperature Rating:  
-55°C to +125°C

Tolerances
X.X ± 0.25
X.XX ± 0.15
Unless Stated Otherwise

**RoHS COMPLIANT**

REV.	DATE	DESCRIPTION	REV. BY	CHK. BY	DRAWN BY	DATE
A1	6/30/05	New Drawing	H. MA	C. Furumasu		
A2	01/15/07	ECO #06-066	R. Aguirre	H. MA	H. MA	6/30/05
A3	09/23/10	ECO #10-065	S. Vien	H. MA		
A4	08/13/18	Update Address	D.Shehan	N/A		
A5	01/31/19	ECO #19-012	C. Kelleher	D.Shehan		

**SX1100-A**

Mini Shunt, 2.54 mm Pitch

**RoHS Compliant**

