

DESCRIPTION

DLI introduces its new high frequency surface mountable catalog direction couplers. These couplers incorporate DLI’s high dielectric ceramic materials which provide small size and minimal performance variation over temperature. The components are well matched for monitoring incident and reflected power.

FEATURES

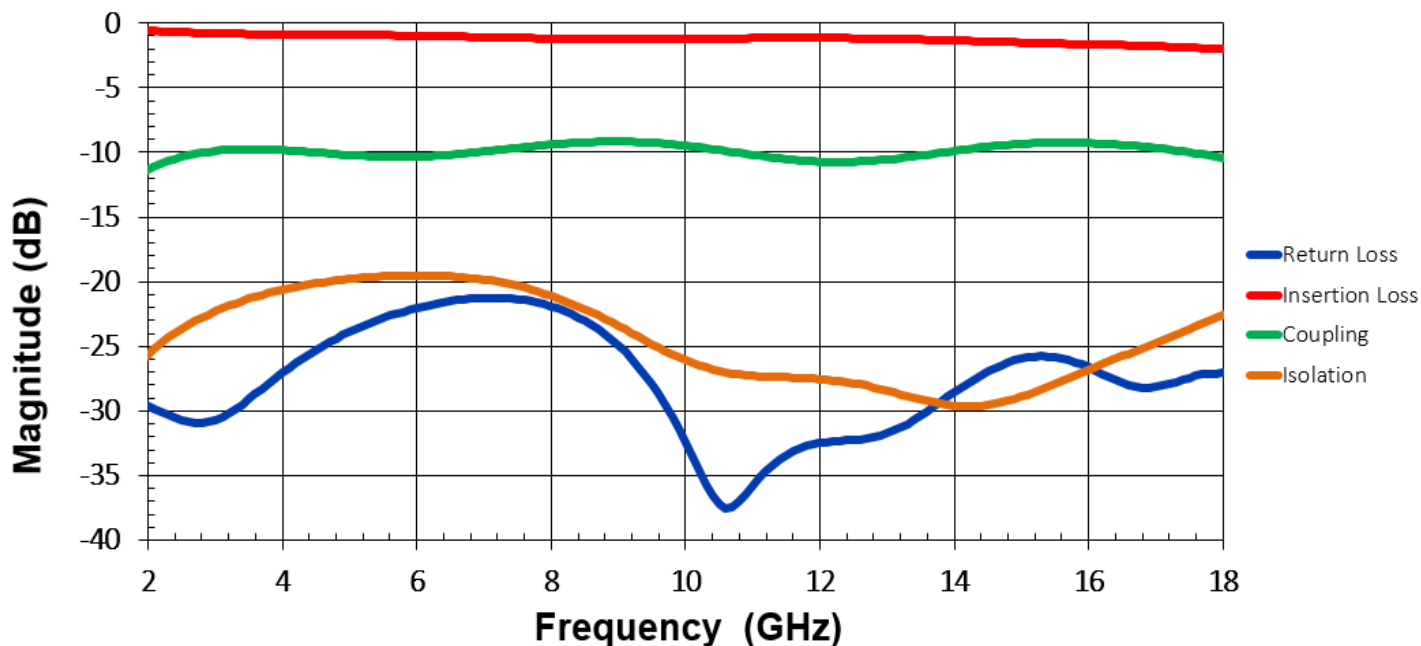
- Small Size
- Frequency Stable over Temperature
- Solder Surface Mountable
- Moisture Sensitivity Level: MSL1
- Excellent Repeatability
- Operating & Storage Temp: -55°C to +125°C
- Characteristic Impedance: 50Ω

PRELIMINARY SPECIFICATIONS*

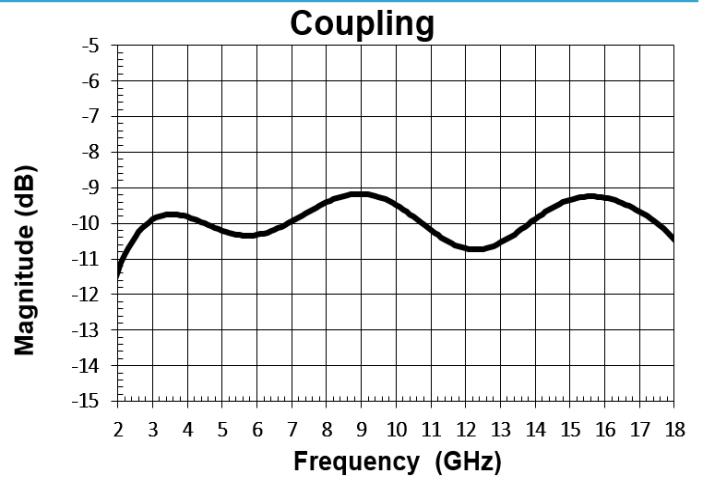
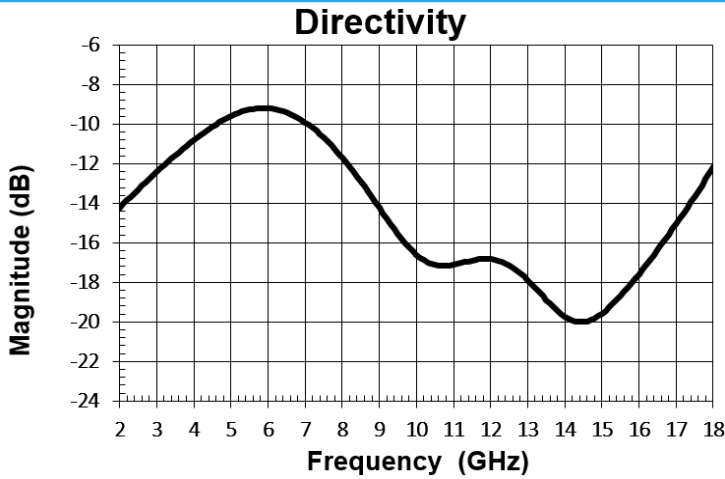
Parameter	Frequency (GHz)	Min	Max
Passband Insertion Loss* (dB)	2 - 18		1
Min Passband Return Loss (dB)		15	
Coupling (dB)		9	11
Directivity (dB)		9	
Size (LxWxH)	0.180x .140 x .015 in 2.54 x 2.032 x .381mm		

*Electrical specifications based on typical mounted performance at room temperature. Insertion loss shall vary ±0.5dB over temperature.

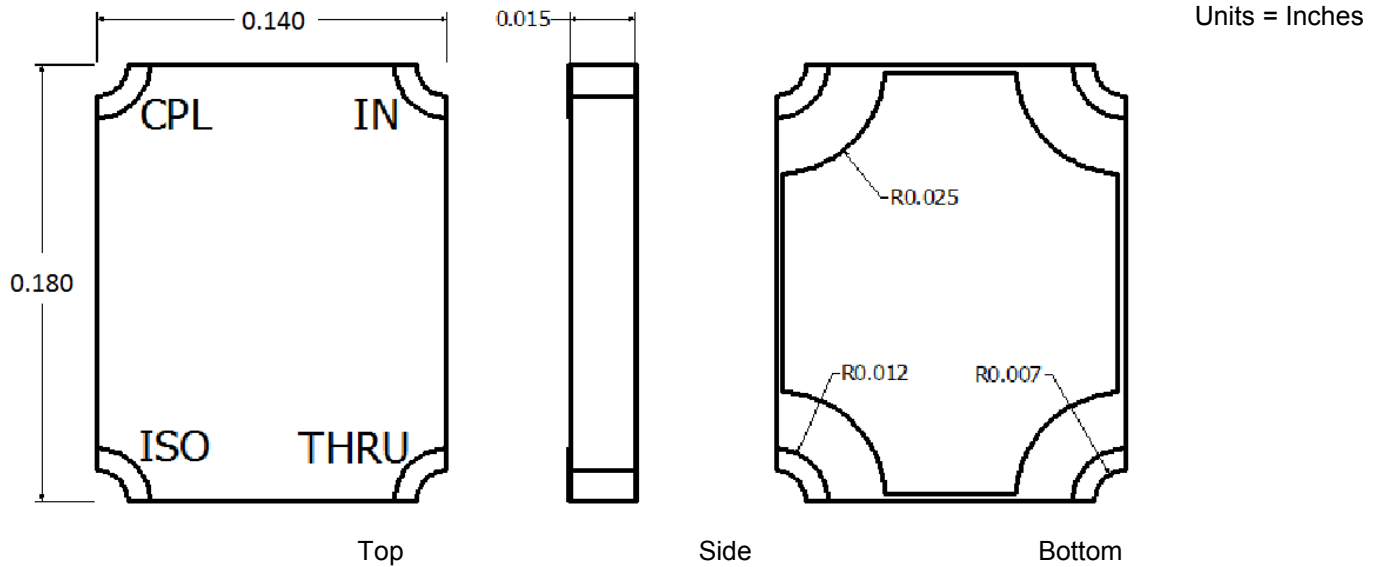
Typical Simulated Preliminary Performance



*Typical measured performance mounted on RO4350B test board at 25°C.



Physical Dimensions



Recommended PCB Layout

TBD

- 50Ω trace dimensions are application specific.
- Ensure adequate grounding beneath the part.
- Trace feed locations can be horizontal, vertical, or angled.

