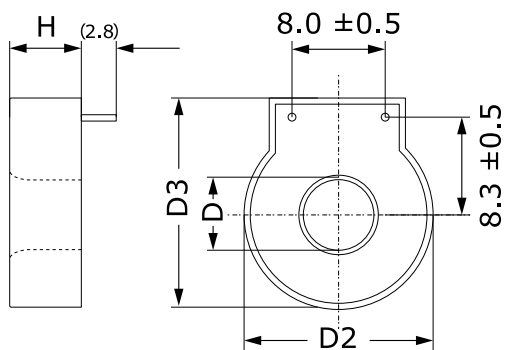


KEMET Part Number: MR/C-01
(USEZA001000000)

KEMET, MR, Current, Round - Toroidal, Zero Phase, High Sensitivity, Compact



General Information	
Series:	MR
Type:	Current
Style:	Round - Toroidal
Description:	Zero-Phase Current Transformers
Features:	High Sensitivity, Compact
Lead:	2 Pin
RoHS:	Yes
Notes:	Measurement Conditions: f=60Hz, R=1000 Ohms, I _o =15 mAmps

Dimensions	
D	6mm MIN
H	6.7mm MAX
D2	17.5mm MAX
D3	19mm MAX

Specifications	
Temperature Range:	-20/+80°C
Voltage DC:	12.5 mV MIN (Output)
Current:	15 Amps
Resistance:	30 Ohms
Miscellaneous:	Overinput characteristics (After DC5A input) = 10% MAX.

Packaging Specifications	
Packaging:	Tray
Packaging Quantity:	1200
Weight:	2.3 g

Statements of suitability for certain applications are based on our knowledge of typical operating conditions for such applications, but are not intended to constitute - and we specifically disclaim - any warranty concerning suitability for a specific customer application or use. This Information is intended for use only by customers who have the requisite experience and capability to determine the correct products for their application. Any technical advice inferred from this Information or otherwise provided by us with reference to the use of our products is given gratis, and we assume no obligation or liability for the advice given or results obtained.