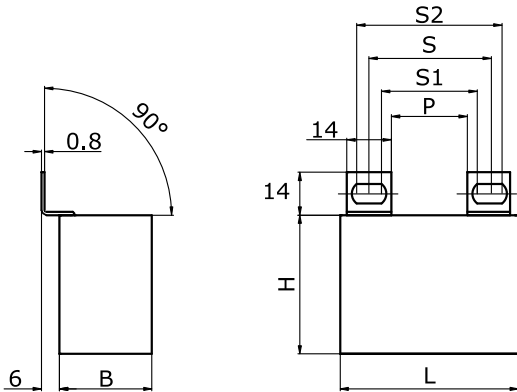


C4BS, Film, Metallized Polypropylene, Power, 1.5 uF, 5%, 630 VAC, 1200 VDC, 70°C, Lead Spacing = 25.5mm



General Information	
Series:	C4BS
Dielectric:	Metallized Polypropylene
Style:	Radial
Features:	IGBT Circuit
RoHS:	Yes
Lead:	Flat Tabs
AEC-Q200:	No
Miscellaneous:	KEMET Style A Tabs.

Dimensions	
L	42mm +1.5/-0.7mm
H	45mm +0.2/-0.7mm
T	30mm +0.4/-0.7mm
S	25.5mm +/-0.2mm
S1	21.5mm NOM
S2	29.5mm +/-0.2mm
P	10.5mm +/-0.2mm

Specifications	
Capacitance:	1.5 uF
Capacitance Tolerance:	5%
Voltage AC:	630 VAC
Voltage DC:	1200 VDC
Temperature Range:	-40/+85°C
Rated Temperature:	70°C
Max dV/dt:	965 V/us
Resistance:	2.3 mOhms (100kHz)
Ripple Current:	34 Amps (100kHz 70C), 1448 Amps (Peak)
Inductance:	43 nH

Packaging Specifications	
Packaging:	Bulk, Bag
Packaging Quantity:	32