

# MICRO SWITCH

A DIVISION OF MINNEAPOLIS-HONEYWELL REGULATOR COMPANY  
 FREEPORT, ILLINOIS  
 FED. MFR. CODE 91929

# ACTUATOR - SWITCH

CATALOG LISTING  
**JS - 70**

(M) JS - 70  
 ISSUE 3

JS - 70

**M**

DRAWING NUMBER

REPLACES

RELEASE NO. SR 8676

ISSUE

00

CHECK

**REVISIONS**

A	GD17304
L E B	
7 AUG 63	
B	GD23675
ORD	
27 JAN 68	
C	0005523
JCC/AP	
20MAY04	
D	0005643
JCC/AP	
26MAY04	

CHECK

GCH/11DEC59

CHECK

59

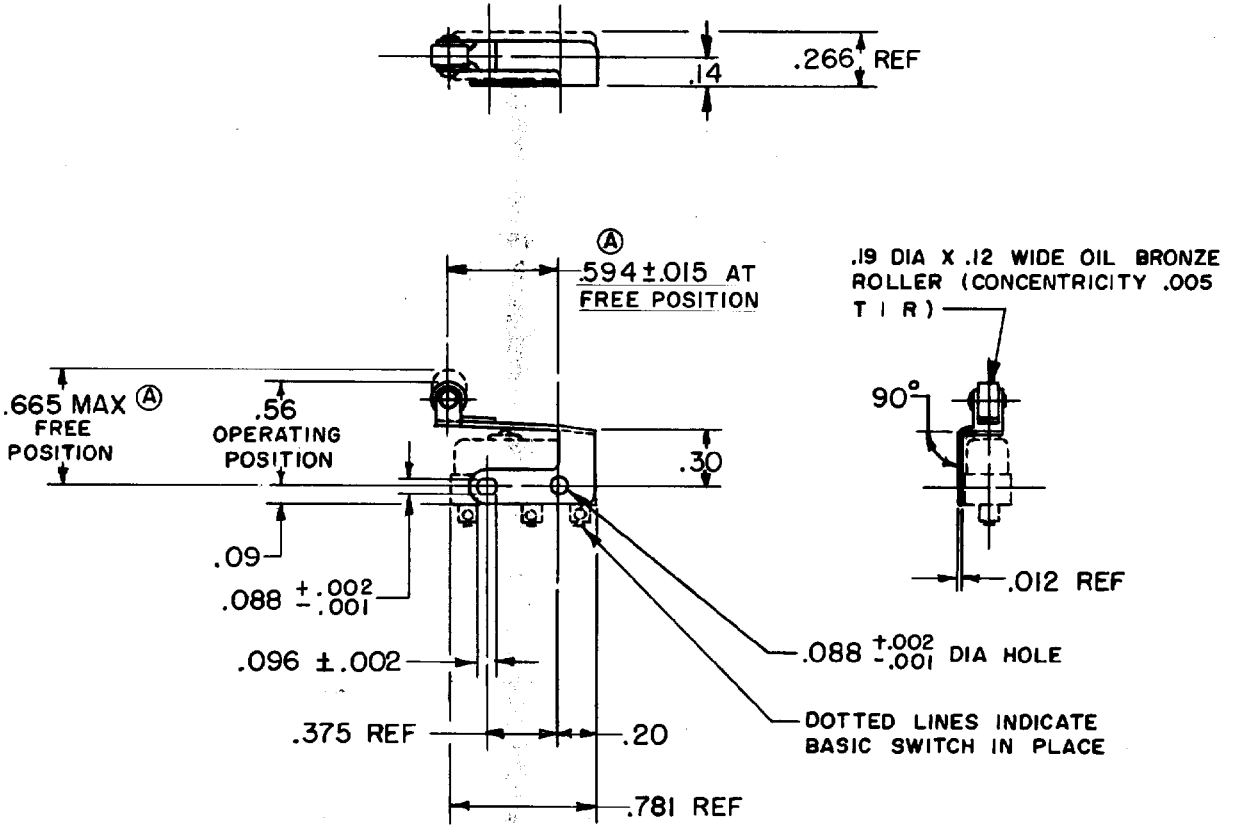
DEC

9

K L B

FO-80378

DRAWN



THIS DRAWING COVERS A PROPRIETARY ITEM AND IS THE PROPERTY OF MICRO SWITCH, A DIVISION OF MINNEAPOLIS-HONEYWELL REGULATOR CO. THIS DRAWING IS NOT TO BE COPIED OR USED WITHOUT THE APPROVAL OF MICRO SWITCH.

**CHARACTERISTICS WITH ISMI BASIC SWITCH INSTALLED**

OPERATING FORCE	-----	10 OZ MAX
RELEASE FORCE	-----	(A) 2 OZ MIN
PRETRAVEL	-----	.078 MAX
DIFFERENTIAL TRAVEL	-----	.015 MAX
OVERTRAVEL	-----	0.15 MIN

**ELECTRICAL DATA**

CONTACT ARRANGEMENT	

**SCALE FULL**

DO NOT SCALE PRINT

UNLESS OTHERWISE SPECIFIED  
 DIMENSIONS ARE IN INCHES

**TOLERANCES ARE:**

ONE PLACE (.0)	±.030
TWO PLACE (.00)	±.015
THREE PLACE (.000)	±.005
ANGLES	±2°

WEIGHT