

Hinged-Cover Type 1 Boxes and Enclosures and Accessories

Small, Type 1



Industry Standards

UL 50, 50E Listed; Type 1; File No. E27567
cUL Listed per CSA C22.2 No 40; Type 1; File No. E27567

NEMA/EEMAC Type 1
CSA, File 42184: Type 1
IEC 60529, IP30

Application

These enclosures have a size range of 6 x 6 x 4-in. to 14 x 12 x 8-in. and meet basic functionality requirements for applications that do not require oil- or dust-tight enclosures.

Features

- Flush slotted latch operated with a screwdriver; optional latches available
- Weldnuts provided for mounting optional panels
- Butt hinges
- Mounting holes on back of enclosure

Specifications

- 16 gauge steel

Finish

ANSI 61 gray polyester powder paint finish inside and out over phosphatized surfaces. Optional solid panels are white and optional perforated panels are gray.

Accessories

See also Accessories.

T-Handle Latch and Keyed Cylinder Lock Kits
Grounding Device

Panels for Type 1 Enclosures and Small Type 3R Enclosures
T-Handle Latch and Keyed Cylinder Lock Kits

Touch-Up Paint
Steel and Stainless Steel Window Kits

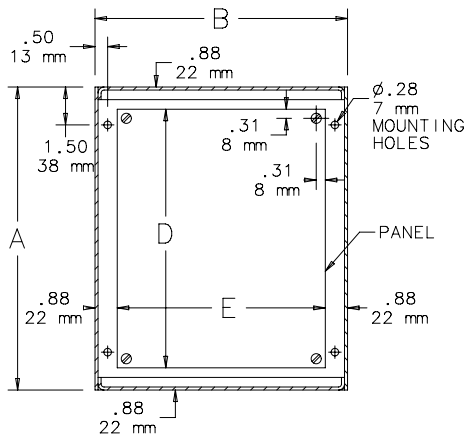
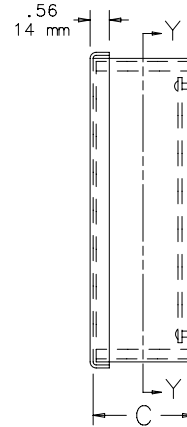
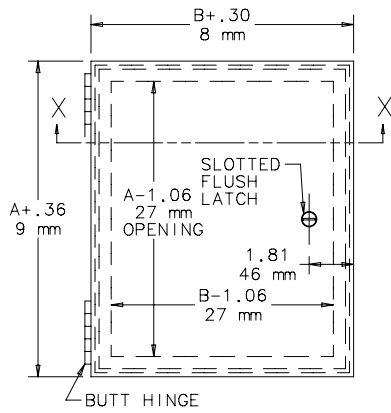
Bulletin: A1SM

Standard Product

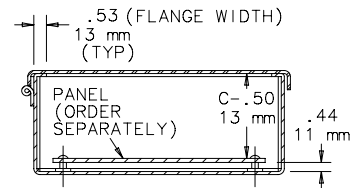
Catalog Number	AxBxC in./mm	Panel	Perforated Panel	Panel Size D x E
				in./mm
A6N64	6.00 x 6.00 x 4.00	A6N6P	A6N6PP	4.25 x 4.25
	152 x 152 x 102			108 x 108
A8N64	8.00 x 6.00 x 4.00	A8N6P	A8N6PP	6.25 x 4.25
	203 x 152 x 102			159 x 108
A8N84	8.00 x 8.00 x 4.00	A8N8P	A8N8PP	6.25 x 6.25
	203 x 203 x 102			159 x 159
A10N84	10.00 x 8.00 x 4.00	A10N8P	A10N8PP	8.25 x 6.25
	254 x 203 x 102			210 x 159
A10N104	10.00 x 10.00 x 4.00	A10N10P	A10N10PP	8.25 x 8.25
	254 x 254 x 102			210 x 210
A12N104	12.00 x 10.00 x 4.00	A12N10P	A12N10PP	10.25 x 8.25
	305 x 254 x 102			260 x 210
A12N124	12.00 x 12.00 x 4.00	A12N12P	A12N12PP	10.25 x 10.25
	305 x 305 x 102			260 x 260
A14N124	14.00 x 12.00 x 4.00	A14N12P	A14N12PP	12.25 x 10.25
	356 x 305 x 102			311 x 260
A8N66	8.00 x 6.00 x 6.00	A8N6P	A8N6PP	6.25 x 4.25
	203 x 152 x 152			159 x 108
A8N86	8.00 x 8.00 x 6.00	A8N8P	A8N8PP	6.25 x 6.25
	203 x 203 x 152			159 x 159
A10N86	10.00 x 8.00 x 6.00	A10N8P	A10N8PP	8.25 x 6.25
	254 x 203 x 152			210 x 159
A10N106	10.00 x 10.00 x 6.00	A10N10P	A10N10PP	8.25 x 8.25
	254 x 254 x 152			210 x 210
A12N106	12.00 x 10.00 x 6.00	A12N10P	A12N10PP	10.25 x 8.25
	305 x 254 x 152			260 x 210
A12N126	12.00 x 12.00 x 6.00	A12N12P	A12N12PP	10.25 x 10.25
	305 x 305 x 152			260 x 260
A14N126	14.00 x 12.00 x 6.00	A14N12P	A14N12PP	12.25 x 10.25
	356 x 305 x 152			311 x 260
A16N126	16.00 x 12.00 x 6.00	A16N12P	A16N12PP	14.25 x 10.25
	406 x 305 x 152			362 x 260
A20N126	20.00 x 12.00 x 6.00	A20N12P	A20N12PP	18.25 x 10.25
	508 x 305 x 152			464 x 260
A12N128	12.00 x 12.00 x 8.00	A12N12P	A12N12PP	10.25 x 10.25
	305 x 305 x 203			260 x 260
A14N128	14.00 x 12.00 x 8.00	A14N12P	A14N12PP	12.25 x 10.25
	356 x 305 x 203			311 x 260

Purchase panels separately.

Hinged-Cover Type 1 Boxes and Enclosures and Accessories



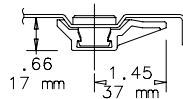
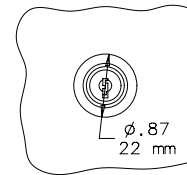
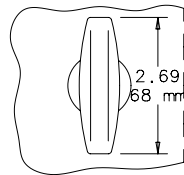
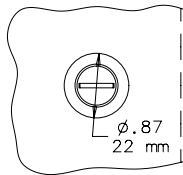
NOTE: 1. Panels are 14 gauge steel.
2. Panel screws have #10-32 threads.



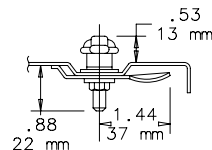
SECTION X-X

SECTION Y-Y

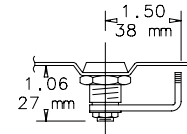
Optional Latches



Standard Slotted Flush Latch



T Handle Latch Kit AL7A



Cylinder Lock Kit AL12AR C2572-C