

## Continuous Hinge, Type 4X

### Continuous Hinge, Type 4X



#### Industry Standards

Mounting brackets required to meet UL/CSA external mounting requirements.

UL 508A Listed; Type 4, 4X, 12, 13; File No. E61997  
cUL Listed per CSA C22.2 No 94; Type 4, 4X, 12, 13; File No. E61997  
Enclosure flammability evaluated per UL 508A  
Window flammability evaluated per UL 508A

NEMA/EEMAC Type 4, 4X, 12, 13  
CSA File No. 42186: Type 4, 4X, 12, 13  
IEC 60529, IP66

#### Application

The efficient design and simple construction of these enclosures make them durable in corrosive environments, yet aesthetically pleasing. Corner latches provide unobstructed access. The continuous hinge provides a secure seal, and double latching creates added security.

#### Specifications

- Compression-molded fiberglass has outstanding chemical- and temperature-resistance qualities and exhibits excellent weatherability and physical properties
- Fiberglass is easily punched, drilled, filed or sawed
- Gasket assures water-tight and dust-tight seal
- Polyester mounting brackets and stainless steel attachment screws are provided with each enclosure
- Scratch-resistant polycarbonate windows are permanently bonded in place
- Molded-in-place threaded brass inserts and plated steel screws are provided for mounting optional panels and terminal block kits
- Removable hinged cover attached to body with Type 316 stainless steel hinge pin
- Screw-cover enclosures are secured with two captivated Type 316 stainless steel slotted cover screws
- Enclosures with patented quick-release latches have corrosion-resistant polyester latches located in corners that provide unobstructed access to enclosure
- Hinge pin and bail are corrosion-resistant Type 316 stainless steel
- Padlock provisions included in each latch

#### Finish

Fiberglass material is light-gray inside and out. Optional steel panels are painted white. Optional stainless steel, aluminum, conductive and composite panels are unpainted.

#### Accessories

See also *Accessories*.  
Panels for Junction Boxes  
Threaded Panel Extenders  
Quick-Release Latch Kit  
Swing-Out Panel Kit  
HOL-SEALERS™ Non-Metallic Hole Seals

#### Modification and Customization

Hoffman excels at modifying and customizing products to your specifications. Contact your local Hoffman sales office or distributor for complete information.

Bulletin: A48

## Continuous Hinge, Type 4X

### Standard Product **Solid-Cover**

Catalog Number	AxBxCin./mm	Type	Steel Panel	Alum. Panel	Panel Size D x E in./mm	Mounting G x H in./mm	Overall L x W in./mm	F in./mm	J in./mm	K in./mm	O in./mm	P in./mm	Q in./mm	T in./mm	U in./mm
<b>A664CHSCFG</b>	6.00 x 6.00 x 4.00	Screw	A6P6	A6P6AL	4.88 x 4.88	6.94 x 4.00	6.50 x 6.50	3.45	3.25	1.00	4.25	4.25	5.64	0.12	5.64
	152 x 152 x 102	Cover			124 x 124	176 x 102	165 x 165	88	83	25	108	108	143	3	143
<b>A664CHQRFG</b>	6.00 x 6.00 x 4.00	Quick	A6P6	A6P6AL	4.88 x 4.88	6.94 x 4.00	6.50 x 6.50	3.45	3.25	1.00	4.25	4.25	5.64	0.12	5.64
	152 x 152 x 102	Release			124 x 124	176 x 102	165 x 165	88	83	25	108	108	143	3	143
<b>A864CHSCFG</b>	8.00 x 6.00 x 4.00	Screw	A8P6	A8P6AL	6.75 x 4.88	8.94 x 4.00	8.50 x 6.50	3.45	3.25	1.00	4.25	6.25	7.64	0.12	5.64
	203 x 152 x 102	Cover			171 x 124	227 x 102	216 x 165	88	83	25	108	159	194	3	143
<b>A864CHQRFG</b>	8.00 x 6.00 x 4.00	Quick	A8P6	A8P6AL	6.75 x 4.88	8.94 x 4.00	8.50 x 6.50	3.45	3.25	1.00	4.25	6.25	7.64	0.12	5.64
	203 x 152 x 102	Release			171 x 124	227 x 102	216 x 165	88	83	25	108	159	194	3	143
<b>A1086CHSCFG</b>	10.00 x 8.00 x 6.00	Screw	A10P8	A10P8AL	10.94 x 6.88	10.94 x 6.00	10.50 x 8.50	5.45	4.94	1.31	6.25	8.25	9.61	0.12	7.61
	254 x 203 x 152	Cover			222 x 175	278 x 152	267 x 216	138	125	33	159	210	244	3	193
<b>A1086CHQRFG</b>	10.00 x 8.00 x 6.00	Quick	A10P8	A10P8AL	8.75 x 6.88	10.94 x 6.00	10.50 x 8.50	5.45	4.94	1.31	6.25	8.25	9.61	0.12	7.61
	254 x 203 x 152	Release			222 x 175	278 x 152	267 x 216	138	125	33	159	210	244	3	193
<b>A12106CHSCFG</b>	12.00 x 10.00 x 6.00	Screw	A12P10	A12P10AL	10.75 x 8.88	12.94 x 8.00	12.50 x 10.50	5.45	4.69	1.56	8.25	10.25	11.58	0.12	9.58
	305 x 254 x 152	Cover			273 x 226	329 x 203	318 x 267	138	119	40	210	260	294	3	243
<b>A12106CHQRFG</b>	12.00 x 10.00 x 6.00	Quick	A12P10	A12P10AL	10.75 x 8.88	12.94 x 8.00	12.50 x 10.50	5.45	4.69	1.56	8.25	10.25	11.58	0.12	9.58
	305 x 254 x 152	Release			273 x 226	329 x 203	318 x 267	138	119	40	210	260	294	3	243
<b>A14128CHSCFG</b>	14.00 x 12.00 x 8.00	Screw	A14P12	A14P12AL	12.75 x 10.88	14.94 x 10.00	14.55 x 12.55	7.45	6.50	1.81	10.25	12.25	13.59	0.15	11.59
	356 x 305 x 203	Cover			324 x 276	379 x 254	370 x 319	189	165	46	260	311	345	4	294
<b>A14128CHQRFG</b>	14.00 x 12.00 x 8.00	Quick	A14P12	A14P12AL	12.75 x 10.88	14.94 x 10.00	14.55 x 12.55	7.45	6.50	1.81	10.25	12.25	13.59	0.15	11.59
	356 x 305 x 203	Release			324 x 276	379 x 254	370 x 319	189	165	46	260	311	345	4	294
<b>A16148CHSCFG</b>	16.00 x 14.00 x 8.00	Screw	A16P14	A16P14AL	14.75 x 12.88	16.94 x 12.00	16.55 x 14.55	7.45	6.23	2.08	12.25	14.25	15.56	0.15	13.56
	406 x 356 x 203	Cover			375 x 327	430 x 305	420 x 370	189	158	53	311	362	395	4	344
<b>A16148CHQRFG</b>	16.00 x 14.00 x 8.00	Quick	A16P14	A16P14AL	14.75 x 12.88	16.94 x 12.00	16.55 x 14.55	7.45	6.23	2.08	12.25	14.25	15.56	0.15	13.56
	406 x 356 x 203	Release			375 x 327	430 x 305	420 x 370	189	158	53	311	362	395	4	344
<b>A181610CHSCFG</b>	18.00 x 16.00 x 10.00	Screw	A18P16	A18P16AL	16.75 x 14.88	18.94 x 14.00	18.58 x 16.58	9.45	7.66	2.66	14.25	16.25	17.53	0.16	15.53
	457 x 406 x 254	Cover			425 x 378	481 x 356	472 x 421	240	195	68	362	413	445	4	394
<b>A181610CHQRFG</b>	18.00 x 16.00 x 10.00	Quick	A18P16	A18P16AL	16.75 x 14.88	18.94 x 14.00	18.58 x 16.58	9.45	7.66	2.66	14.25	16.25	17.53	0.16	15.53
	457 x 406 x 254	Release			425 x 378	481 x 356	472 x 421	240	195	68	362	413	445	4	394

Purchase panels separately. Optional stainless steel, aluminum, conductive and composite material panels available for most sizes.

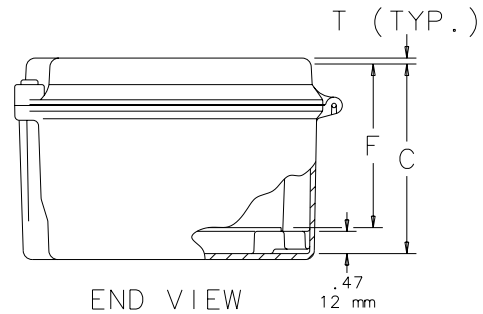
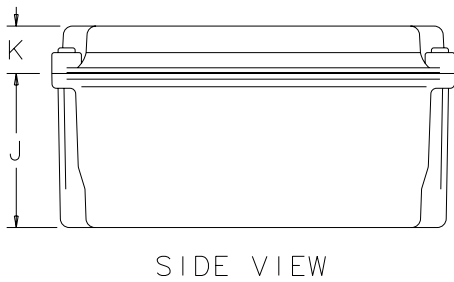
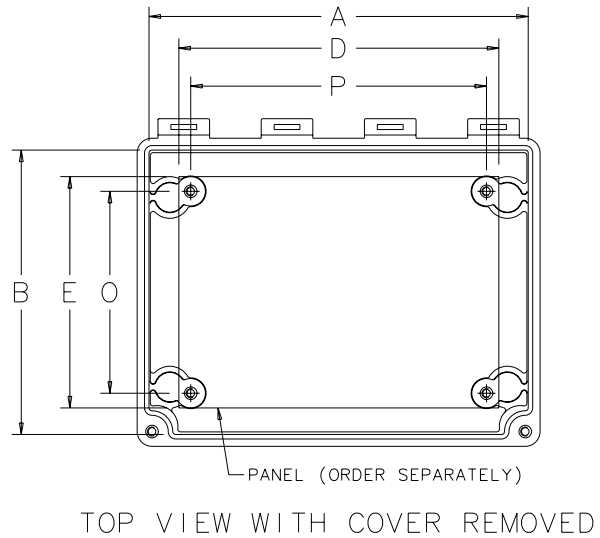
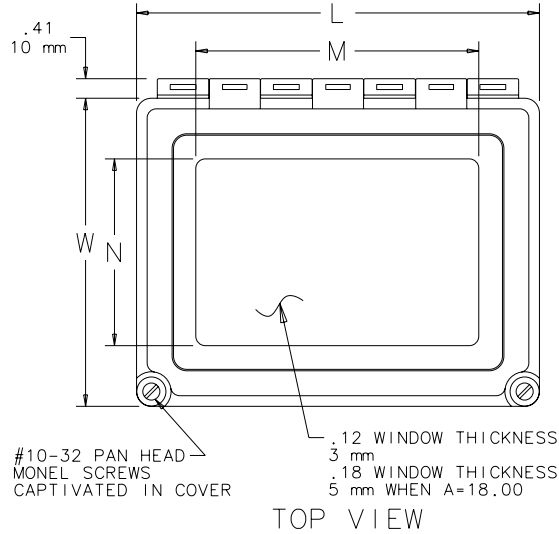
### Standard Product **Window Cover**

Catalog Number	AxBxCin./mm	Type	Steel Panel	Alum. Panel	Panel Size D x E in./mm	Mounting G x H in./mm	Overall L x W in./mm	F in./mm	J in./mm	K in./mm	M in./mm	N in./mm	O in./mm	P in./mm	Q in./mm	T in./mm	U in./mm
<b>A664CHSCFGW</b>	6.00 x 6.00 x 4.00	Screw	A6P6	A6P6AL	4.88 x 4.88	6.94 x 4.00	6.50 x 6.50	3.45	3.25	1.00	4.25	4.25	4.25	4.25	5.64	0.12	5.64
	152 x 152 x 102	Cover			124 x 124	176 x 102	165 x 165	88	83	25	108	108	108	108	143	3	143
<b>A664CHQRFGW</b>	6.00 x 6.00 x 4.00	Quick	A6P6	A6P6AL	4.88 x 4.88	6.94 x 4.00	6.50 x 6.50	3.45	3.25	1.00	4.25	4.25	4.25	4.25	5.64	0.12	5.64
	152 x 152 x 102	Release			124 x 124	176 x 102	165 x 165	88	83	25	108	108	108	108	143	3	143
<b>A864CHSCFGW</b>	8.00 x 6.00 x 4.00	Screw	A8P6	A8P6AL	6.75 x 4.88	8.94 x 4.00	8.50 x 6.50	3.45	3.25	1.00	6.25	4.25	4.25	6.25	7.64	0.12	5.64
	203 x 152 x 102	Cover			171 x 124	227 x 102	216 x 165	88	83	25	159	108	108	159	194	3	143
<b>A864CHQRFGW</b>	8.00 x 6.00 x 4.00	Quick	A8P6	A8P6AL	6.75 x 4.88	8.94 x 4.00	8.50 x 6.50	3.45	3.25	1.00	6.25	4.25	4.25	6.25	7.64	0.12	5.64
	203 x 152 x 102	Release			171 x 124	227 x 102	216 x 165	88	83	25	159	108	108	159	194	3	143
<b>A1086CHSCFGW</b>	10.00 x 8.00 x 6.00	Screw	A10P8	A10P8AL	8.75 x 6.88	10.94 x 6.00	10.50 x 8.50	5.45	4.94	1.31	8.25	6.25	6.25	8.25	9.61	0.12	7.61
	254 x 203 x 152	Cover			222 x 175	278 x 152	267 x 216	138	125	33	210	159	159	210	244	3	193
<b>A1086CHQRFGW</b>	10.00 x 8.00 x 6.00	Quick	A10P8	A10P8AL	8.75 x 6.88	10.94 x 6.00	10.50 x 8.50	5.45	4.94	1.31	8.25	6.25	6.25	8.25	9.61	0.12	7.61
	254 x 203 x 152	Release			222 x 175	278 x 152	267 x 216	138	125	33	210	159	159	210	244	3	193
<b>A12106CHSCFGW</b>	12.00 x 10.00 x 6.00	Screw	A12P10	A12P10AL	10.75 x 8.88	12.94 x 8.00	12.50 x 10.50	5.45	4.69	1.56	10.25	8.25	8.25	10.25	11.58	0.12	9.58
	305 x 254 x 152	Cover			273 x 226	329 x 203	318 x 267	138	119	40	260	210	210	260	294	3	243
<b>A12106CHQRFGW</b>	12.00 x 10.00 x 6.00	Quick	A12P10	A12P10AL	10.75 x 8.88	12.94 x 8.00	12.50 x 10.50	5.45	4.69	1.56	10.25	8.25	8.25	10.25	11.58	0.12	9.58
	305 x 254 x 152	Release			273 x 226	329 x 203	318 x 267	138	119	40	260	210	210	260	294	3	243
<b>A14128CHSCFGW</b>	14.00 x 12.00 x 8.00	Screw	A14P12	A14P12AL	12.75 x 10.88	14.94 x 10.00	14.55 x 12.55	7.45	6.50	1.81	12.25	10.25	10.25	12.25	13.59	0.15	11.59
	356 x 305 x 203	Cover			324 x 276	379 x 254	370 x 319	189	165	46	311	260	260	311	345	4	294
<b>A14128CHQRFGW</b>	14.00 x 12.00 x 8.00	Quick	A14P12	A14P12AL	12.75 x 10.88	14.94 x 10.00	14.55 x 12.55	7.45	6.50	1.81	12.25	10.25	10.25	12.25	13.59	0.15	11.59
	356 x 305 x 203	Release			324 x 276	379 x 254	370 x 319	189	165	46	311	260	260	311	345	4	294
<b>A16148CHSCFGW</b>	16.00 x 14.00 x 8.00	Screw	A16P14	A16P14AL	14.75 x 12.88	16.94 x 12.00	16.55 x 14.55	7.45	6.23	2.08	14.25	12.25	12.25	14.25	15.56	0.15	13.56
	406 x 356 x 203	Cover			375 x 327	430 x 305	420 x 370	189	158	53	362	311	311	362	395	4	344
<b>A16148CHQRFGW</b>	16.00 x 14.00 x 8.00	Quick	A16P14	A16P14AL	14.75 x 12.88	16.94 x 12.00	16.55 x 14.55	7.45	6.23	2.08	14.25	12.25	12.25	14.25	15.56	0.15	13.56
	406 x 356 x 203	Release			375 x 327	430 x 305	420 x 370	189	158	53	362	311	311	362	395	4	344
<b>A181610CHSCFGW</b>	18.00 x 16.00 x 10.00	Screw	A18P16	A18P16AL	16.75 x 14.88	18.94 x 14.00	18.58 x 16.58	9.45	7.66	2.66	16.25	14.25	14.25	16.25	17.53	0.16	15.53
	457 x 406 x 254	Cover			425 x 378	481 x 356	472 x 421	240	195	68	413	362	362	413	445	4	394
<b>A181610CHQRFGW</b>	18.00 x 16.00 x 10.00	Quick	A18P16	A18P16AL	16.75 x 14.88	18.94 x 14.00	18.58 x 16.58	9.45	7.66	2.66	16.25	14.25	14.25	16.25	17.53	0.16	15.53
	457 x 406 x 254	Release			425 x 378	481 x 356	472 x 421	240	195	68	413	362	362	413	445	4	394

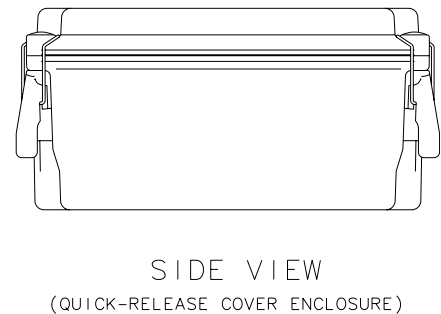
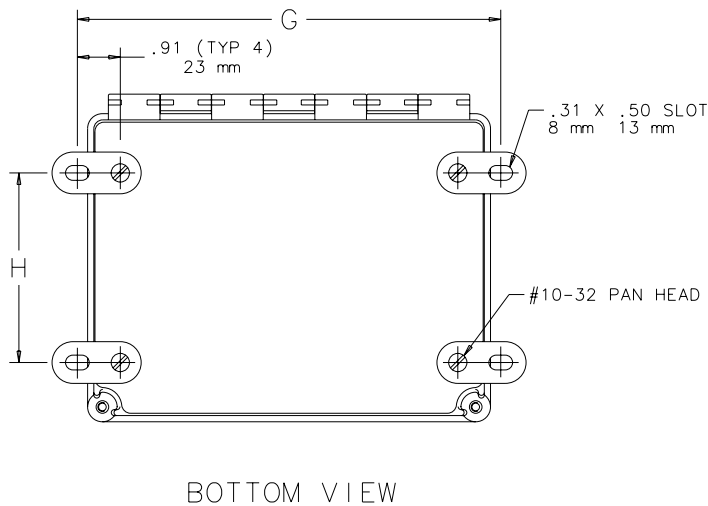
Purchase panels separately. Optional stainless steel, aluminum, conductive and composite material panels available for most sizes.

## Continuous Hinge, Type 4X

Hinged Window Cover Type 4X



NOTE: 1. Panel screws have #10-32 threads.  
2. Mounting brackets are .16 (4mm) thick.



C2567-C

## Continuous Hinge, Type 4X

### Quick-Release Latch Kit



Two fiberglass-reinforced gray polyester latches with 316L stainless steel bail and screw-hole plugs are included in each package. Supplied with Continuous Hinge, Type 4X enclosures and available for Fiberglass Hinged Cover WiFi Cabinet, Type 4X. Kit converts screw-cover enclosures to quick-release without modification. No tools needed to install. Padlocking provision is included.

**Bulletin: A48Y**

Catalog Number	Description	Kit Qty.
AL48	Quick-Release Latch Kit	2

### Swing-Out Panel Kit



The Swing-Out Panel Kit provides an attractive, cost-effective solution for installing front-mounted panels in Continuous Hinge, Type 4X, and Overlapping Cover, Type 4X enclosures. No drilling required.

**Bulletin: A48Y**

Catalog Number	Fits Enclosure A x B (in.)	Fits Enclosure A x B (mm)
A6SPK6C	6.00 x 6.00	152 x 152
A8SPK6C	8.00 x 6.00	203 x 152
A10SPK8C	10.00 x 8.00	254 x 203
A12SPK10C	12.00 x 10.00	305 x 254
A16SPK14C	16.00 x 14.00	406 x 356
A18SPK16C	18.00 x 16.00	457 x 406
A14SPK12C	14.00 x 12.00	356 x 305