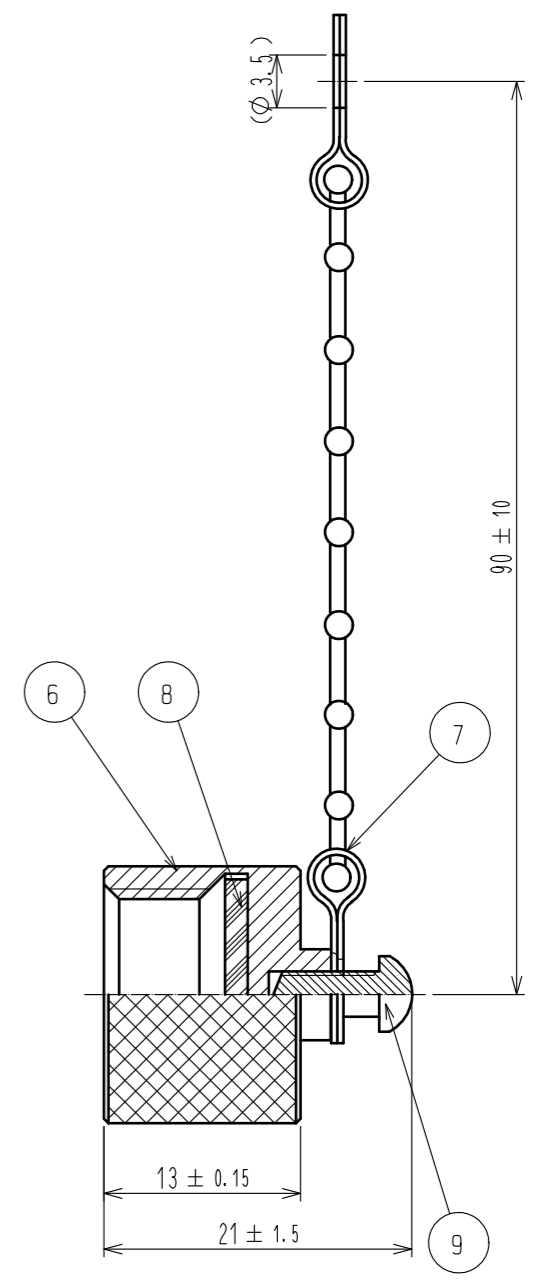
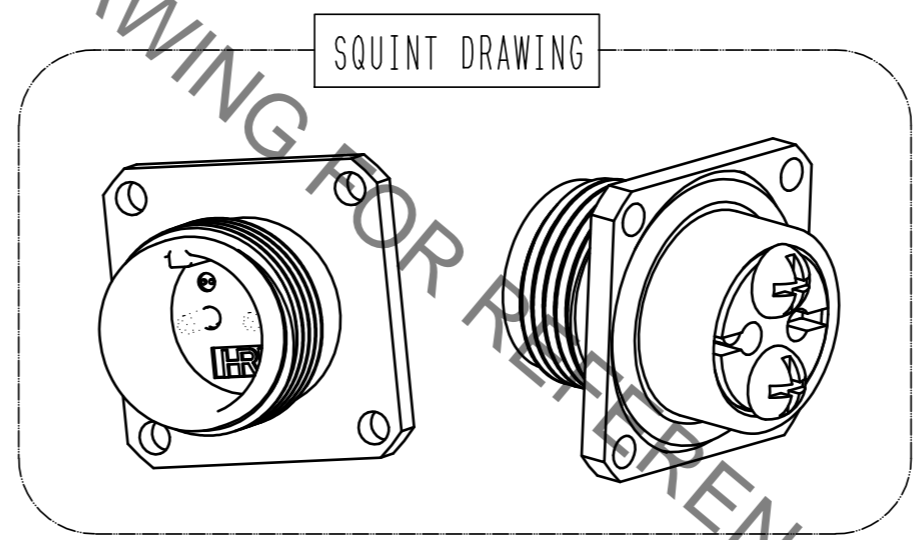
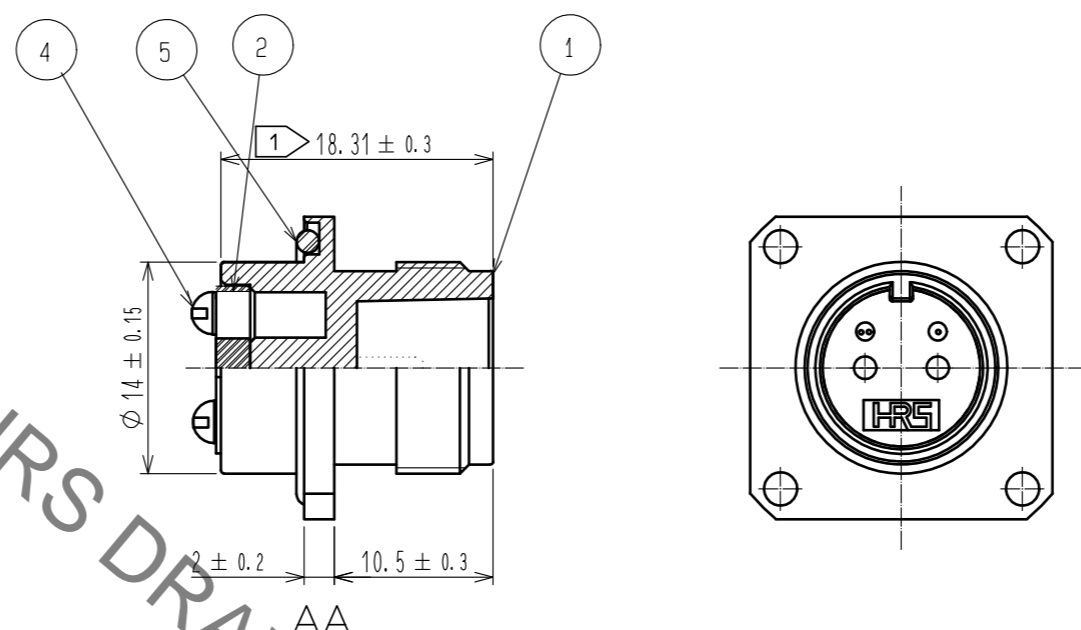
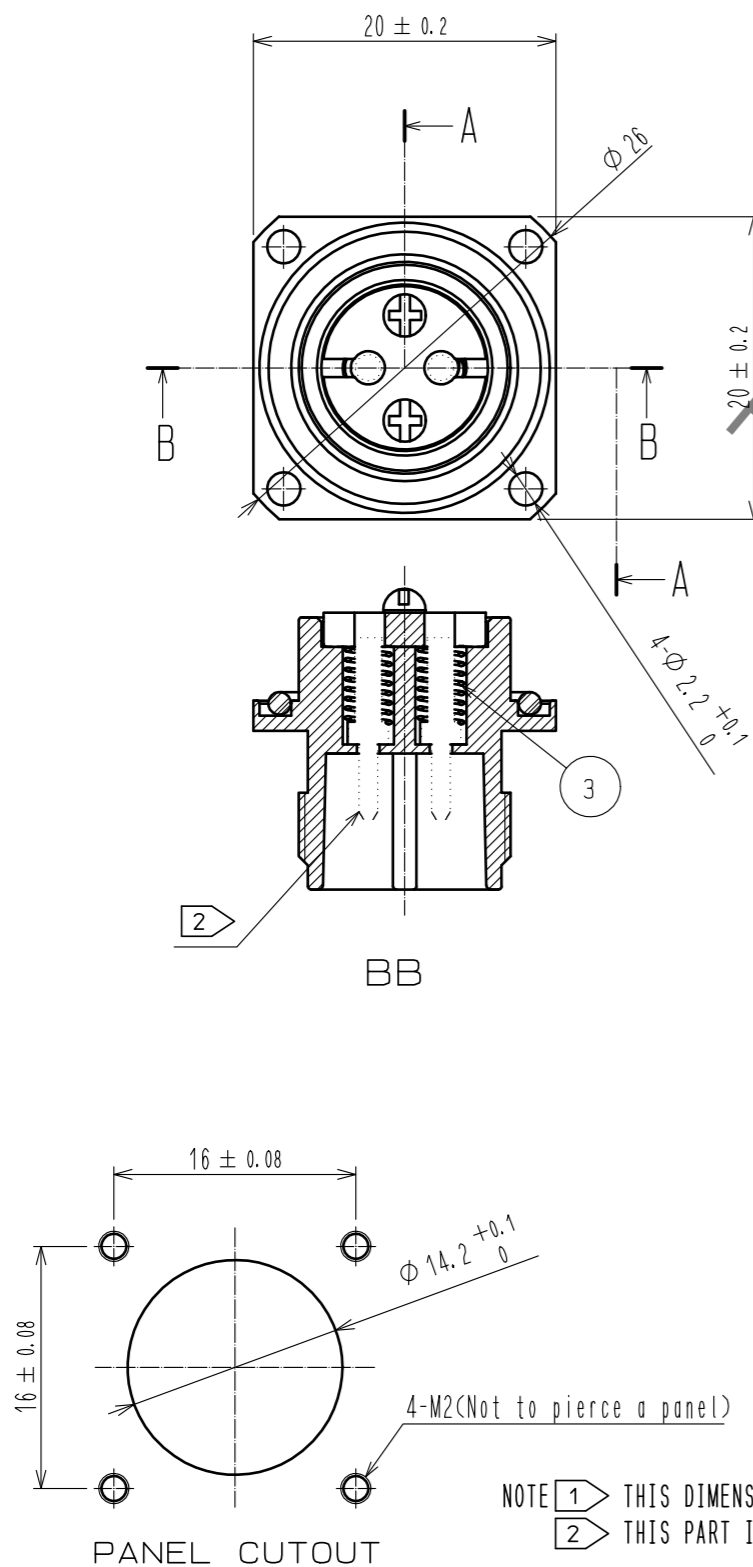


Jun.1.2020 Copyright 2020 HIROSE ELECTRIC CO., LTD. All Rights Reserved.  
In case of consideration for using Automotive equipment / device which demand high reliability, kindly contact our sales window correspondents.



NOTE 1 THIS DIMENSION SHOWS AFTER ASSEMBLING.  
2 THIS PART IS NOT CONTAINED. PLEASE USE AN OPTIONAL MU FERRULE.

NO.	MATERIAL	FINISH . REMARKS	NO.	MATERIAL	FINISH . REMARKS
5	SYNTHETIC RUBBER		9	STAINLESS STEEL	NYELOCK
4	STAINLESS STEEL		8	SYNTHETIC RUBBER	
3	PIANO WIRE	ZINC PLATING	7	STAINLESS STEEL	
2	SYNTHETIC RESIN		6	ALUMINIUM ALLOY	ANODIC OXIDE COATING
1	ZINC DIECAST	NICKEL PLATING			

UNITS	SCALE	COUNT	DESCRIPTION OF REVISIONS	DESIGNED	CHECKED	DATE
mm	2 : 1	△				
APPROVED : MT. SHIBUTANI			18.02.02	DRAWING NO. EDC-176609-31-00		
CHECKED : FS. YOSHIDA			18.02.02	PART NO. MF10S-WDRFN01-0200(31)		
DESIGNED : TY. SATO			18.02.02	CODE NO. CL709-0548-4-31		
DRAWN : MK. INOUE			18.02.01	1/1		