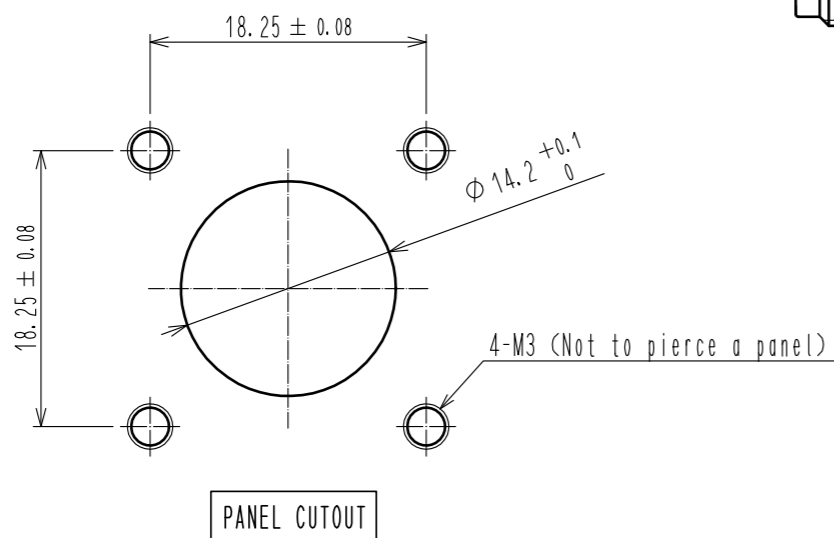
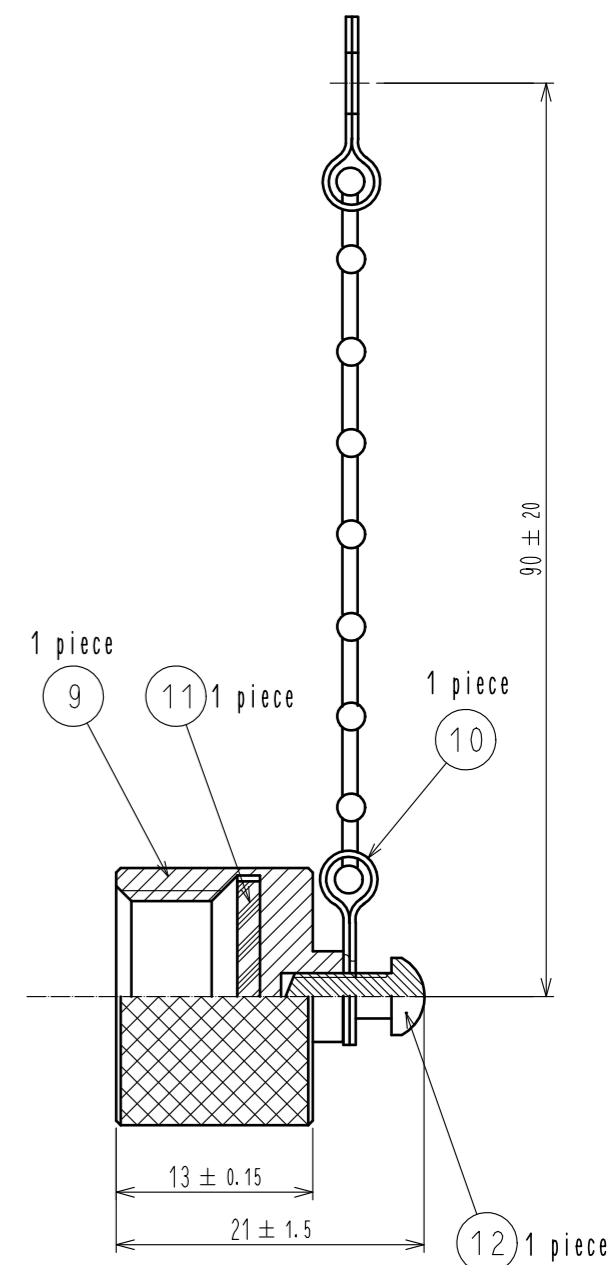
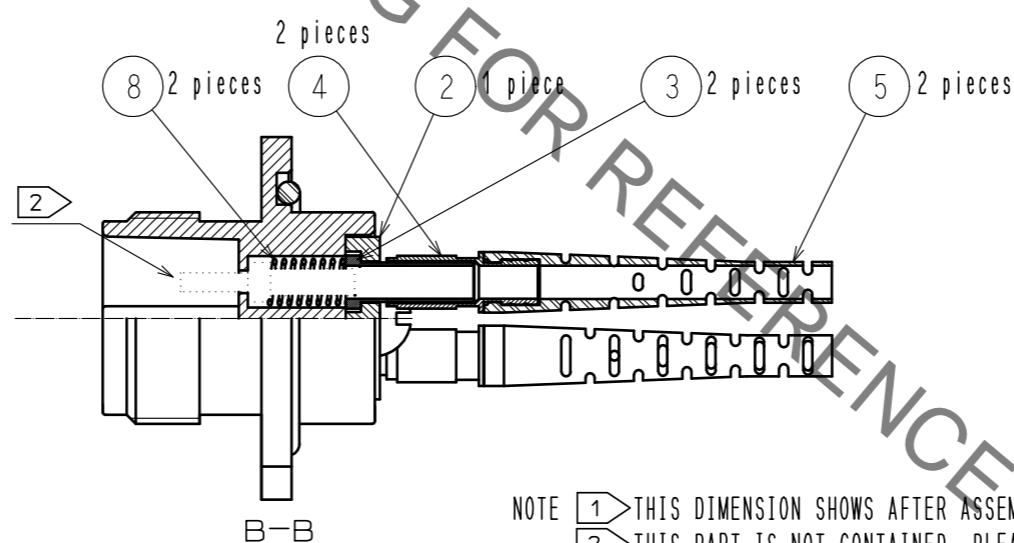
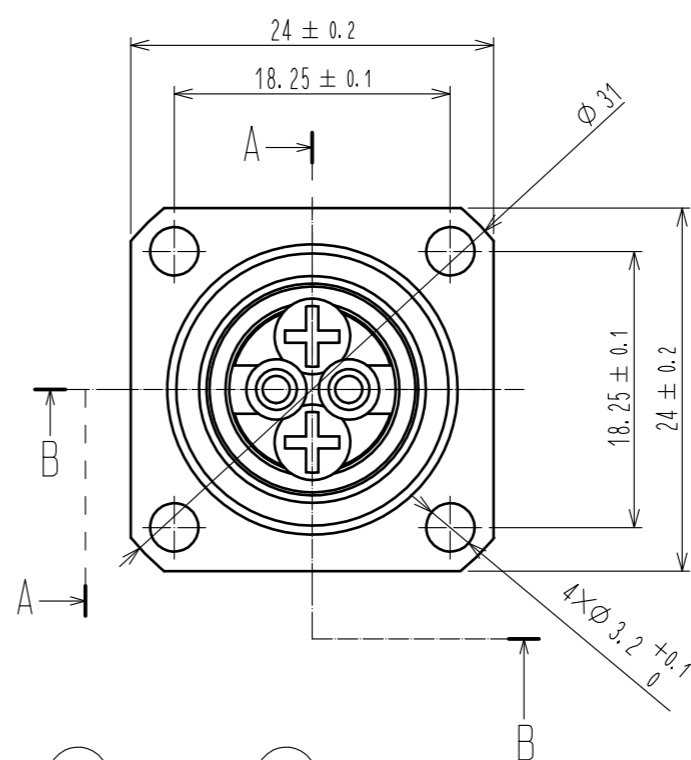
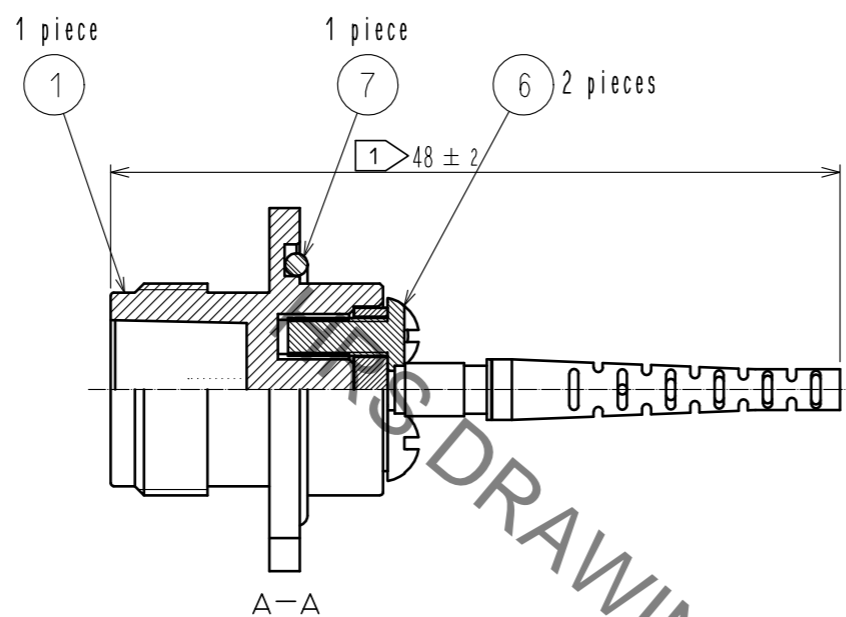
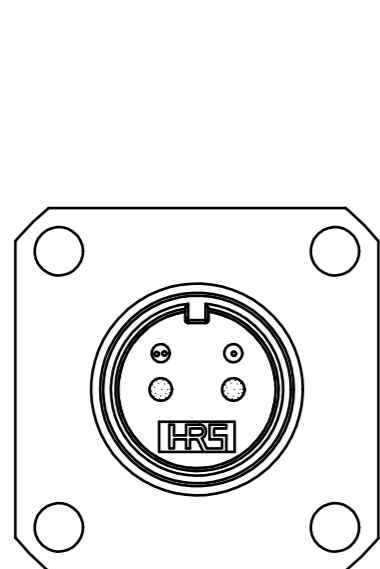


Jun.1.2020 Copyright 2020 HIROSE ELECTRIC CO., LTD. All Rights Reserved.
 In case of consideration for using Automotive equipment / device which demand high reliability, kindly contact our sales window correspondents.



NOTE 1 THIS DIMENSION SHOWS AFTER ASSEMBLING.
 2 THIS PART IS NOT CONTAINED. PLEASE USE AN OPTIONAL MU FERRULE.

6	STAINLESS STEEL		12	STAINLESS STEEL	NYELOCK
5	TPEE RESIN	COLOR:LAVENDER	11	SIR RUBBER	COLOR:NATURAL
4	BRASS	NICKEL PLATING	10	STAINLESS STEEL	
3	BRASS	NICKEL PLATING	9	ALUMINIUM ALLOY	ANODIC OXIDE COATING (BLACK)
2	BRASS	NICKEL PLATING	8	PIANO WIRE	ZINC PLATING
1	ZINC DIECAST	CHROME PLATING (BLACK)	7	EPR RUBBER	COLOR:BLACK
NO.	MATERIAL	FINISH . REMARKS	NO.	MATERIAL	FINISH . REMARKS

UNITS	SCALE	COUNT	DESCRIPTION OF REVISIONS	DESIGNED	CHECKED	DATE
mm	2 : 1	△				
APPROVED : MT. SHIBUTANI			18.02.02	DRAWING NO. EDC-176813-31-00		
CHECKED : FS. YOSHIDA			18.02.02	PART NO. MF10S-WDRFGC01-0200(31)		
DESIGNED : TY. SATO			18.02.02	CODE NO. CL709-0579-8-31		
DRAWN : MK. INOUE			18.02.02	△ 1/1		