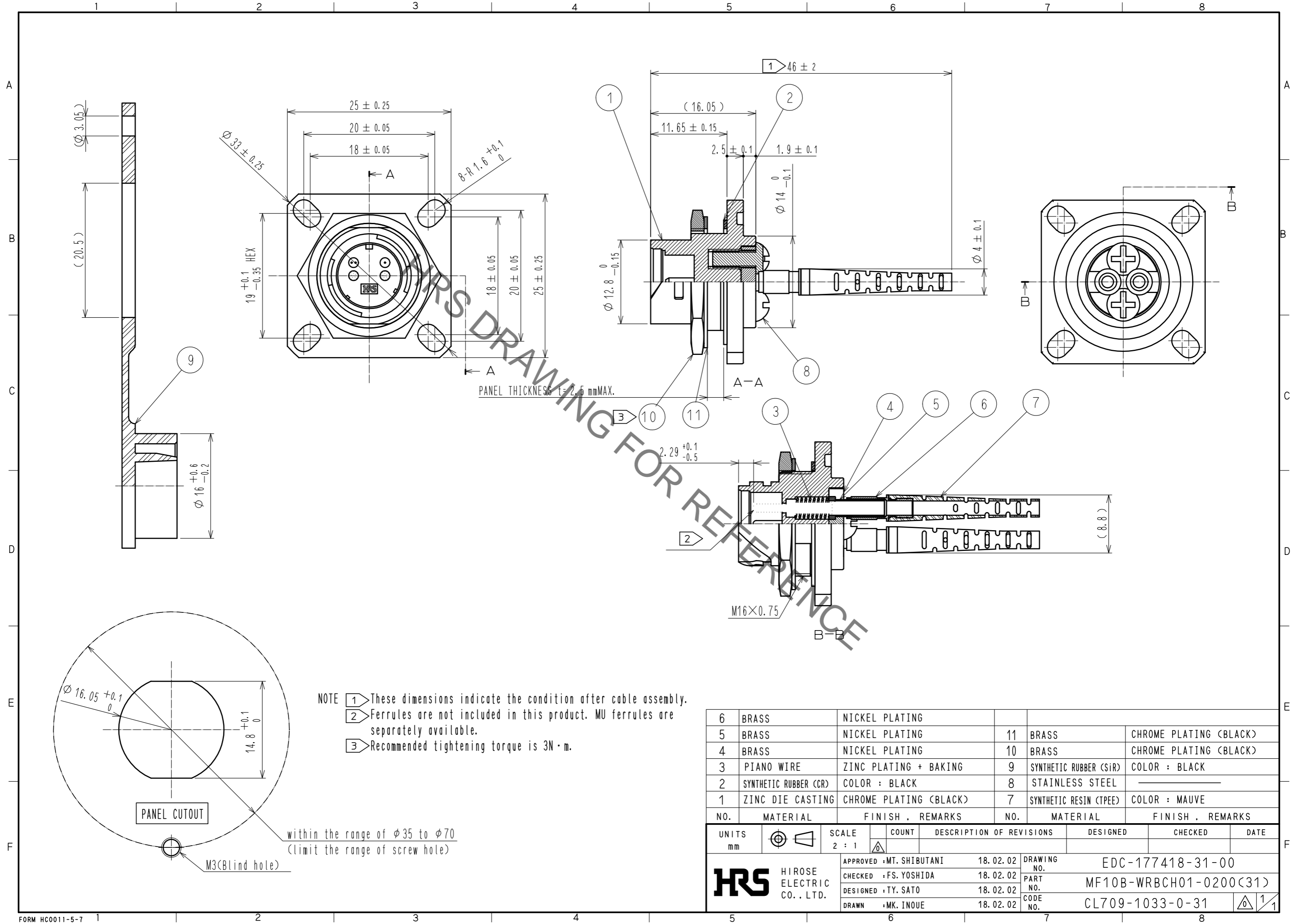


May.1.2020 Copyright 2020 HIROSE ELECTRIC CO., LTD. All Rights Reserved.
In case of consideration for using Automotive equipment / device which demand high reliability, kindly contact our sales window correspondents.



NO.	MATERIAL	FINISH . REMARKS	NO.	MATERIAL	FINISH . REMARKS
6	BRASS	NICKEL PLATING			
5	BRASS	NICKEL PLATING	11	BRASS	CHROME PLATING (BLACK)
4	BRASS	NICKEL PLATING	10	BRASS	CHROME PLATING (BLACK)
3	PIANO WIRE	ZINC PLATING + BAKING	9	SYNTHETIC RUBBER (SIR)	COLOR : BLACK
2	SYNTHETIC RUBBER (CR)	COLOR : BLACK	8	STAINLESS STEEL	
1	ZINC DIE CASTING	CHROME PLATING (BLACK)	7	SYNTHETIC RESIN (TPEE)	COLOR : MAUVE

UNITS	SCALE	COUNT	DESCRIPTION OF REVISIONS	DESIGNED	CHECKED	DATE
mm	2 : 1					
APPROVED : MT. SHIBUTANI			18.02.02	DRAWING NO. EDC-177418-31-00		
CHECKED : FS. YOSHIDA			18.02.02	PART NO. MF10B-WRBC01-0200(31)		
DESIGNED : TY. SATO			18.02.02	CODE NO. CL709-1033-0-31		
DRAWN : MK. INOUE			18.02.02	1/1		