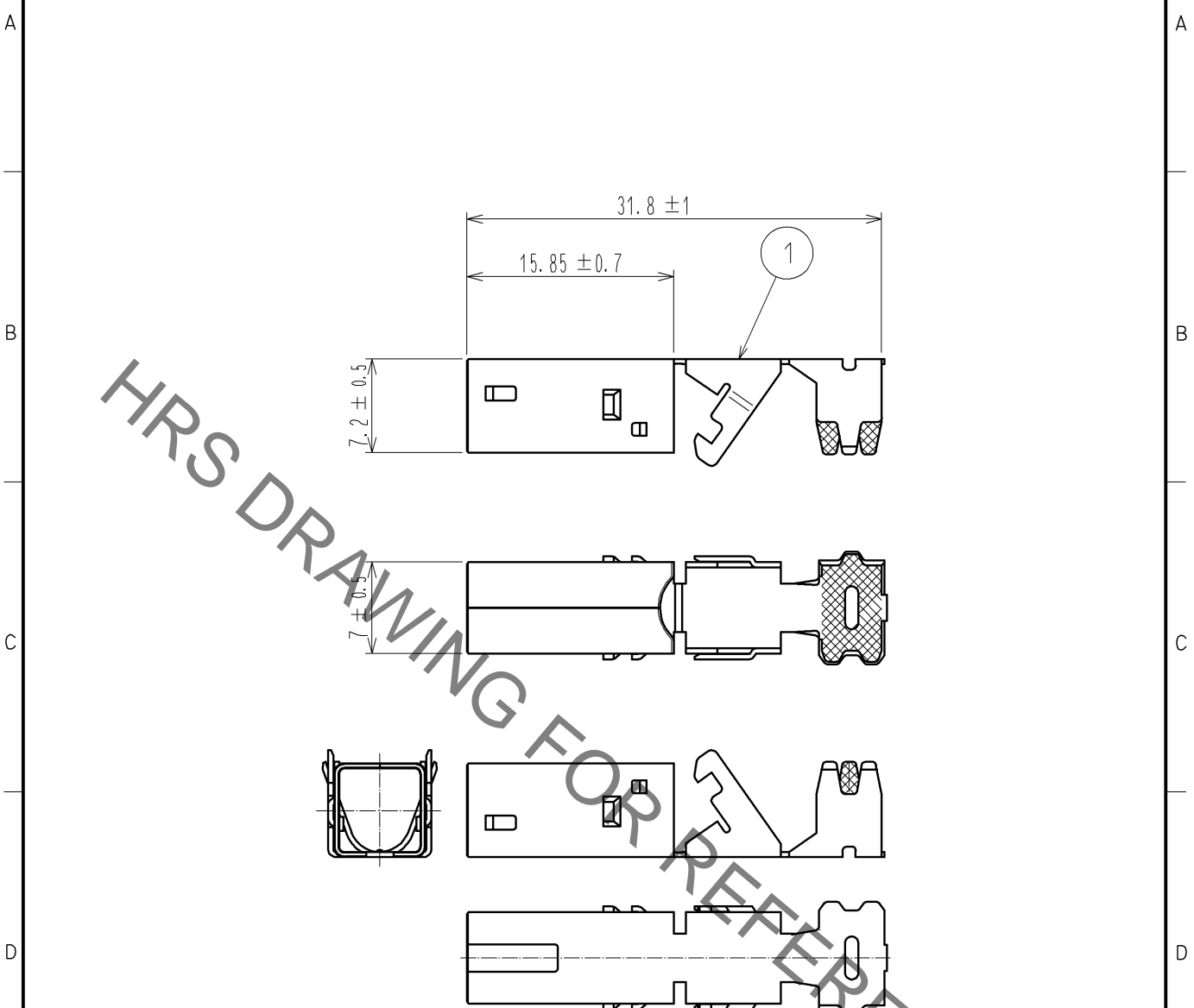


Jun.1.2020 Copyright 2020 HIROSE ELECTRIC CO., LTD. All Rights Reserved.
In case of consideration for using Automotive equipment / device which demand high reliability, kindly contact our sales window correspondents.

ELV, RoHS COMPLIANT



APPLICABLE CABLE DIAMETER: $\phi 5 \pm 0.2$

1	COPPER ALLOY	TIN PLATING						
NO.	MATERIAL	FINISH .	REMARKS	NO.	MATERIAL	FINISH .	REMARKS	
UNITS mm		SCALE ?: 1	COUNT 	DESCRIPTION OF REVISIONS		DESIGNED	CHECKED	DATE
HIROSE ELECTRIC CO., LTD.	APPROVED : KS. SATOH	09. 01. 07		DRAWING NO.	EDC4-167161-00			
	CHECKED : KS. SATOH	09. 01. 07		PART NO.	GT17HNN-4DS-5CF			
	DESIGNED : NA. HARUBAYASHI	09. 01. 07		CODE NO.	CL767-0189-4-00			
	DRAWN : NA. HARUBAYASHI	09. 01. 07			1/1			