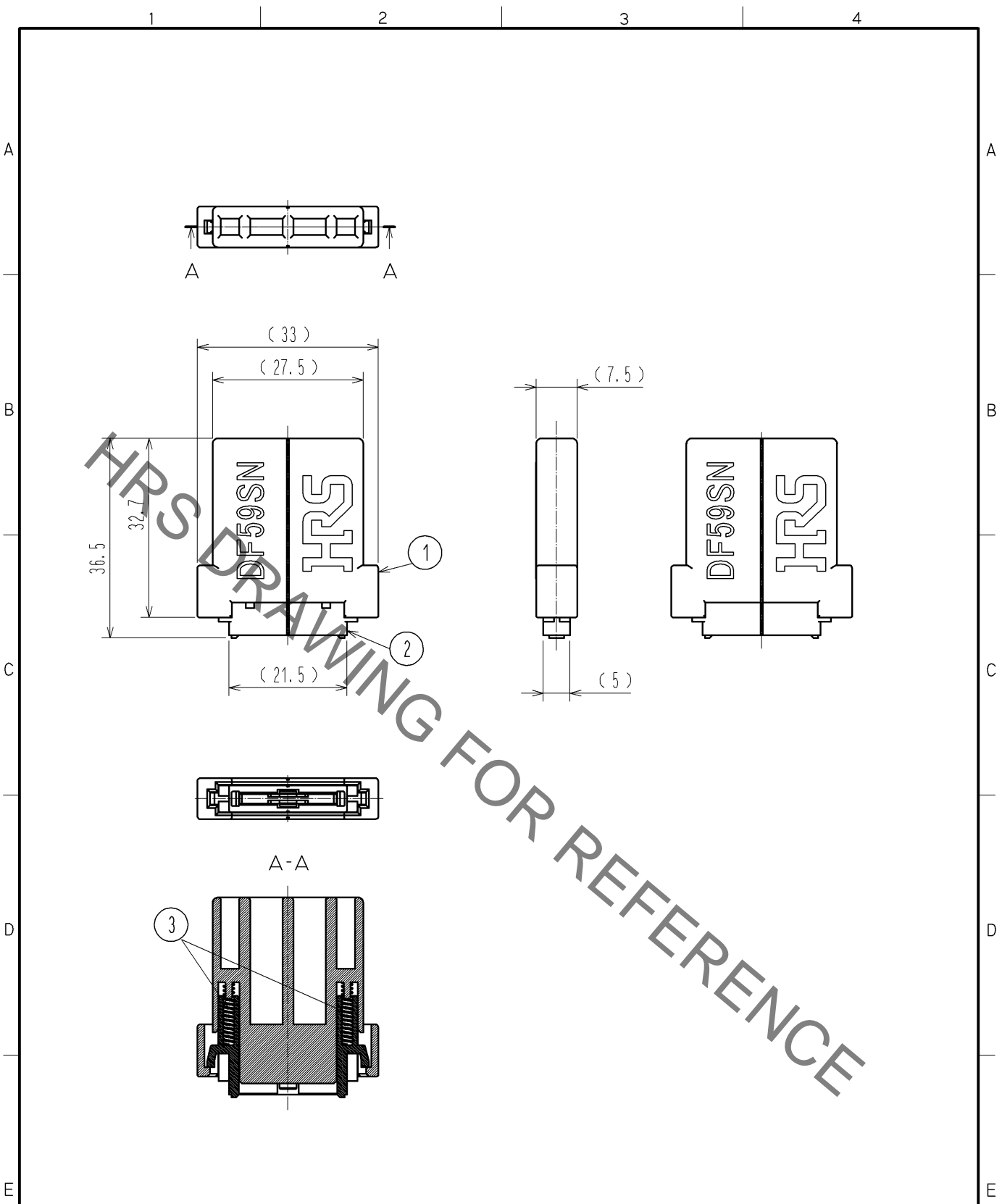


Jun.1.2020 Copyright 2020 HIROSE ELECTRIC CO., LTD. All Rights Reserved.
 In case of consideration for using Automotive equipment / device which demand high reliability, kindly contact our sales window correspondents.



NOTE 1: This Product Is An Insertion Tool For Mating. (For DF59SN-1P-FC)

| 2 | PC | UL94V-2, CLEAR | | | | | | |
|---------------------------|----------|------------------------|-----------|--------------------------|-----------------|----------------------|---------|------|
| 1 | PC | UL94V-2, CLEAR | | 3 | STAINLESS STEEL | Ni3μm | | |
| NO. | MATERIAL | FINISH | REMARKS | NO. | MATERIAL | FINISH | REMARKS | |
| UNITS mm | | SCALE 1 : 1 | COUNT | DESCRIPTION OF REVISIONS | | DESIGNED | CHECKED | DATE |
| HIROSE ELECTRIC CO., LTD. | | APPROVED : KI. AKIYAMA | 13.10.09 | DRAWING NO. | | EDC4-352702-01 | | |
| | | CHECKED : OM. MIYAMOTO | 13.10.09 | PART NO. | | DF59SN-1P-FC/IN-TOOL | | |
| | | DESIGNED : SZ. ONO | 13.10.09 | CODE NO. | | CL667-0040-2-00 | | |
| | | DRAWN : SZ. ONO | 13.10.09 | | | 1/1 | | |