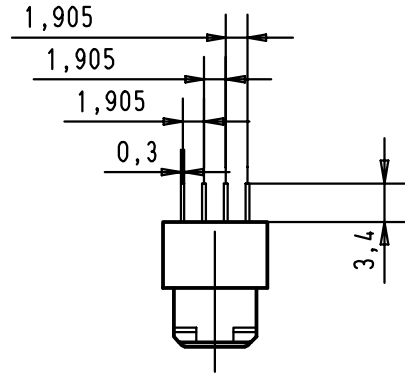
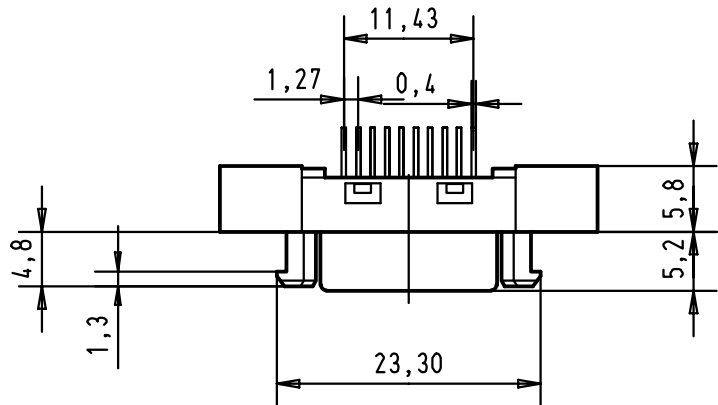
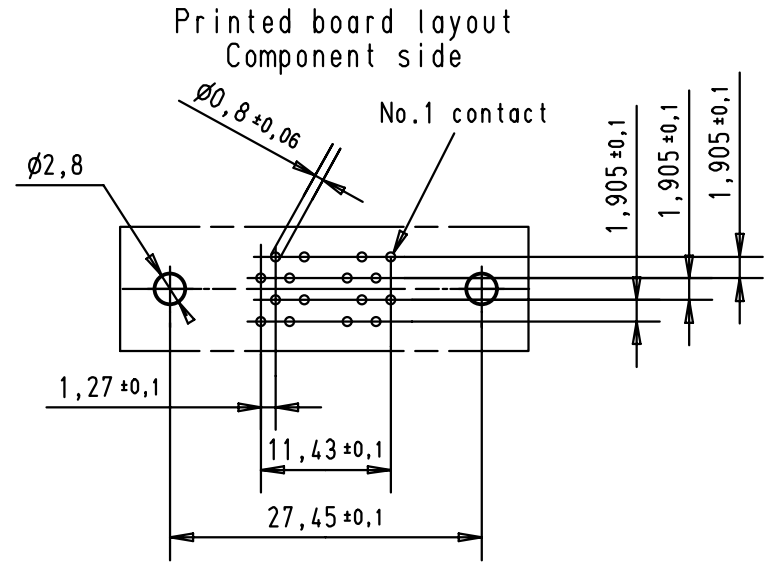
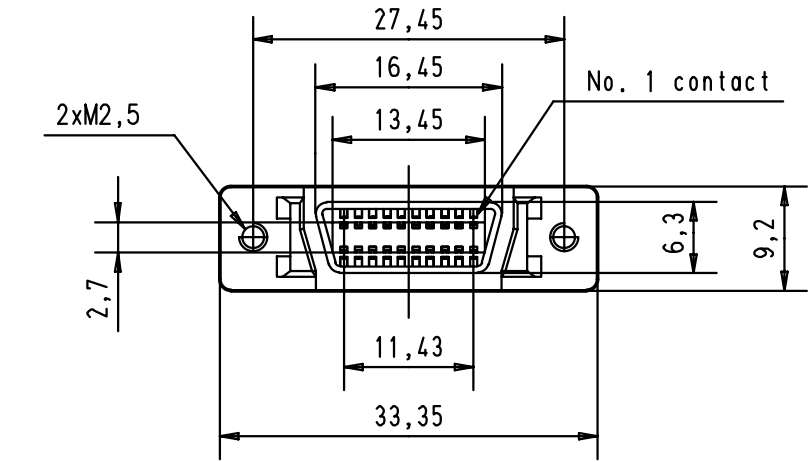




5 4 3 2 1



				Dat.	Name	 All Dim. in mm Orig. Size DIN A 4	har.mik® I/O bellow 20 poles female connector with straight solder pins and fixed latching	Maßstab/ Scale
			Detail.	30-AUG-00	JB			1,5:1
			Insp.					
			Stand.					Blatt/ Page
27941	30-AUG-00	JB	HARTING EURL F-95972 Paris				TB 60 11 020 5102	1 / 1
Mod.	Dat.	Name					Sub.	

**60 11 020 5102**  
**har-mik pcb connector**

Other applications

Contact gender	Female
Series	Bellows
Termination	Solder pins, straight
Latch System	With Latch System
Material	Thermoplastic resin glass-fibre filled
Connector size	20 poles



Data sheets are available in following formats

2D files

Typenblatt

Typenblatt