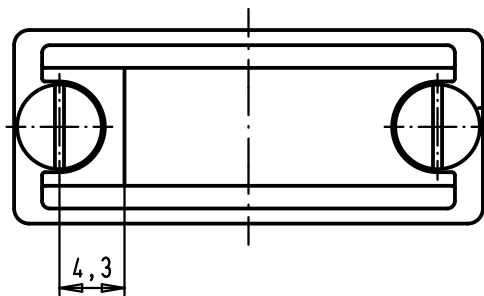
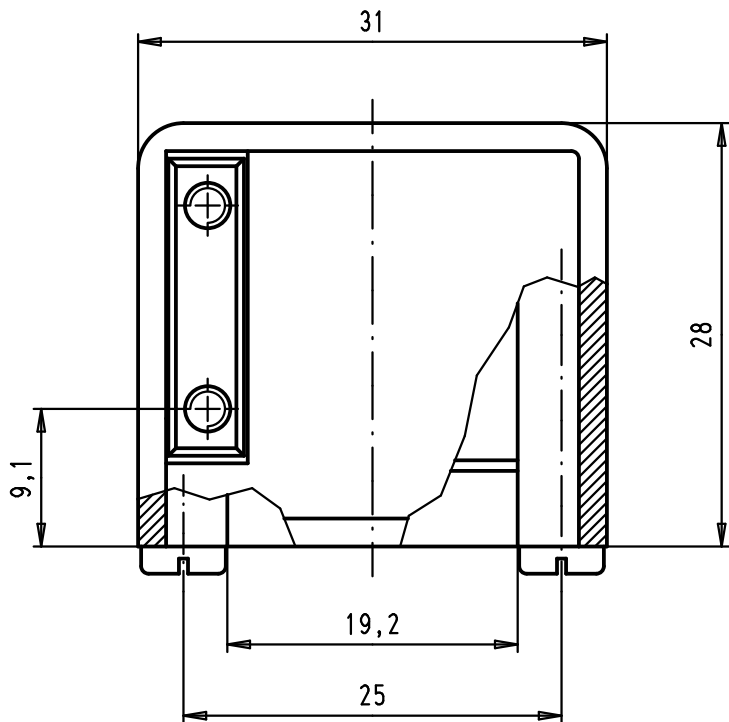


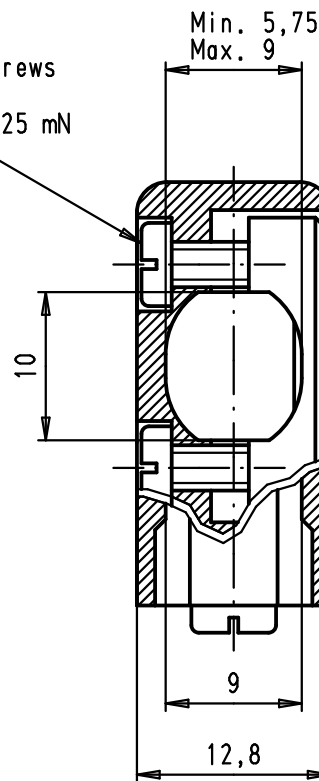
5 4 3 2 1



Slotted pan head tapping screws  
DIN 7971-ST 2,9 x 6,5-F  
Maximum screwing torque= 1 mN



Slotted pan head tapping screws  
DIN 7971-ST 2,2 x 9,5-F  
Maximum screwing torque= 0,25 mN



D

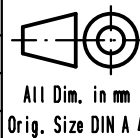
C

B

A

09 67 009 0513	Thermoplastic metallized
09 67 009 0511	Thermoplastic grey RAL 7032
Part number	Material

			Dot.	Name
			Detail.	28/03/02 CV
			Insp.	
			Stand.	
34886	26/02/08	PK		
29760	28/03/02	CV		
Mod.	Dot.	Name	HARTING EURL F-95972 Paris	



All Dim. in mm  
Orig. Size DIN A 4

D-Sub, hood 9 poles  
for spring or slide  
locking, side cable entry

Maßstab/  
Scale

2:1



Sub. TB 09 67 009 051X

Blatt/ Page

1 / 1