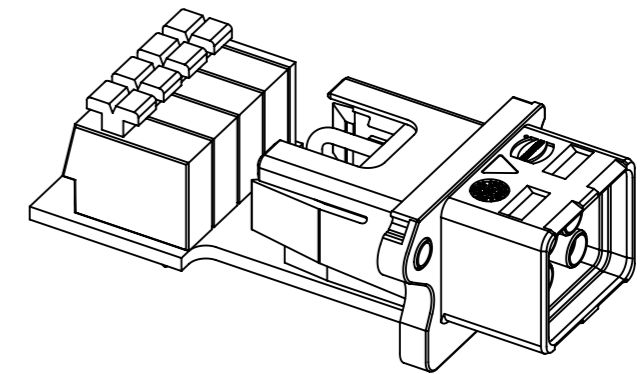
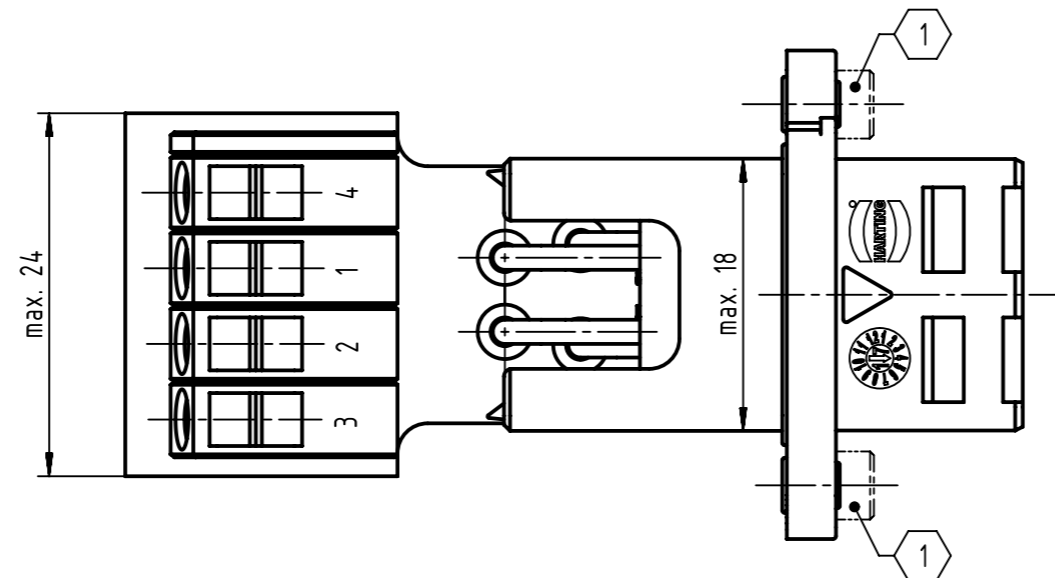


connector pitch on panel:  
axis X = 27mm and axis Y = 21mm 2

panel thickness = max. 5.5mm



2 connector pitch with coding clip 0945840002X Y = 23mm

1 2x M2.5; screws acc. to ISO 4762;  
please order separately; bolting torque 0.3Nm - 0.5Nm

further information see: DS 09466100700

	All rights reserved Department EL PD	Created by ELLERMANN	Inspected by ZWAHR	Standardisation KOHLER	Date 2018-05-30	State Final Release	Ref. Sub.
	HARTING Electronics GmbH D-32339 Espelkamp	Title HARTING PushPull V4 Compact Housing 48V/12A				Doc-Key / ECM-Nr. 100671827/UGD/000/C 500000135700	
		Type TB	Number 09462454021		Rev. C	Page 1/1	