



Quality Products. Service Excellence.

3000-5000 BTU/H Outdoor Slimline Air Conditioner *DTS SL Series*

Type 3R, 4, 4X, Side Mounting



Description

- Narrow design for side mounting on any enclosure surface where hot spot or low capacity cooling is required.
- Closed loop cooling ensures clean enclosure air is recirculated without ever mixing with contaminated ambient air.

Standards

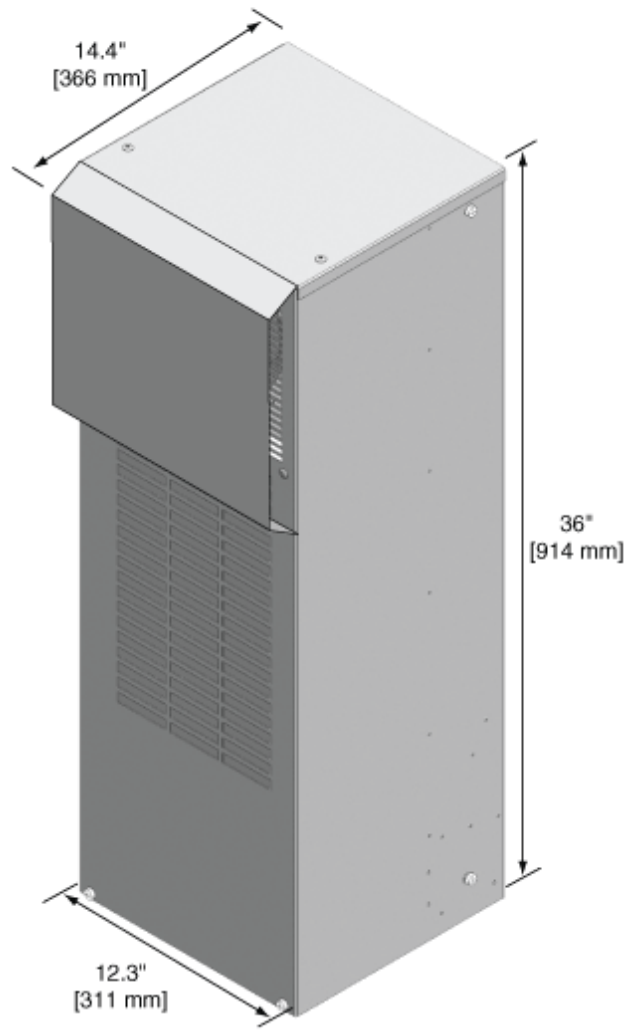
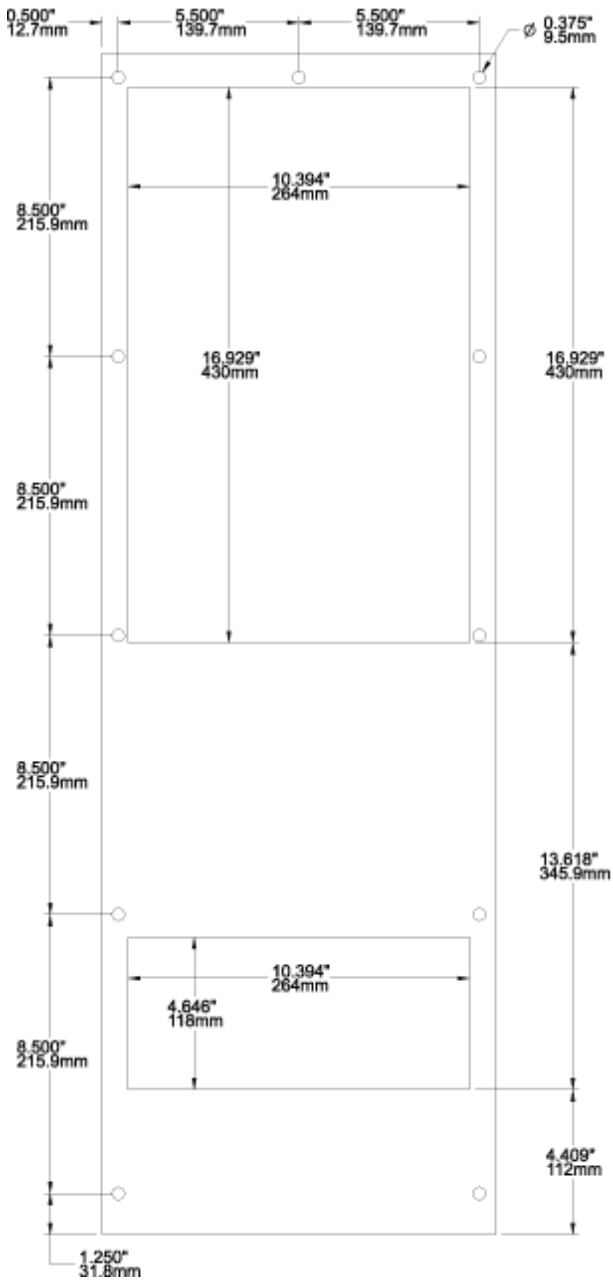
- Complies with
 - NEMA 3R, 4, 4X rating
- IP 56
- UL, cUL and CE

Features

- R134a refrigerant.
- Thermostat control accessible from inside enclosure.
- Expansion valve increases efficiency with improved evaporator heat transfer and less frequent compressor operation.
- Built in condensor/evaporator
- Continuous air circulation from high capacity fans.
- EMI/RFI suppression meets CE.
- Self-diagnostics on startup.
- Fault indication via LED light.
- Door contact for power down when enclosure door is opened.
- Gasket, mounting kit and template for cutout and drilling are included.
- Condensate drain hose and clamp

Accessories

- Remote Door Switches
- Gasket Kits
- Condensate Bottle
- Filter Kits
- Water Condensate Evaporator



| Part Number | Type Rating |
|-----------------|-------------|
| DTS3161SLA2N3LG | 3R, 4 |
| DTS3161SLA4N3LG | 3R, 4 |
| DTS3181SLA2N4SS | 4X |
| DTS3181SLA4N4SS | 4X |

* For ANSI 61 Gray replace LG with GY

| Electrical Data | DTS3161SLA2N3LG | DTS3161SLA4N3LG |
|--------------------|-----------------|-----------------|
| | DTS3181SLA2N4SS | DTS3181SLA4N4SS |
| Rated Voltage | 230 V 50/60 Hz | 460 V 50/60 Hz |
| Range of Operation | 198-252 V | 360-506 V |
| Power Consumption | 890 W | 751 W |
| Running Amps | 4.0 A | 1.9 A |
| Starting Current | 14.8 A | 14.8 A |
| Line Cord | Terminal Block | Terminal Block |

| Refrigeration Data | |
|--|------------------------------|
| Cooling Capacity BTU/h (Watts) +95/+95F +35/35C | 5097 BTU/h (1493 Watts) |
| Type of Refrigerant | R134a |
| Adjustable Control Range | + 59...+ 113F / + 15...+ 45C |
| | Factory setting +95 F (+35C) |
| Max Ambient Air Temp | +131 F (+55 C) |
| Min Ambient Air Temp | +32 F (+0 C) |
| Air Capacity (unrestricted) | Internal Circulation 350 CFM |

| Refrigeration Data | |
|----------------------|------------------------------------|
| | External Circulation 350 CFM |
| Condensate Discharge | Condensate Evaporator |
| Filter Mat | Filterless |
| Db Noise Level | <70 dB (A) |
| Unit Weight | 108 lbs (49 kg) |
| Exterior Case | Galvanized Sheet Steel |
| Finish LG | RAL7035 light Gray |
| Finish GY | ANSI 61 Gray |
| Finish SS | 304 Stainless Steel # 4 brush |
| Nema Rating | Enclosures IP 54/Nema 3R, 4, 4X |

Data subject to change without notice

© 2020. Hammond Manufacturing Ltd. All rights reserved.