



Quality Products. Service Excellence.

## Step-Down (230VAC to 115VAC) 175 Series

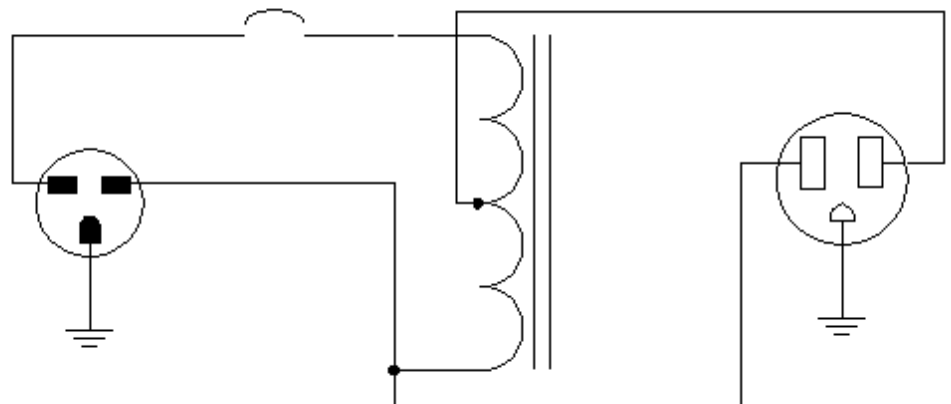
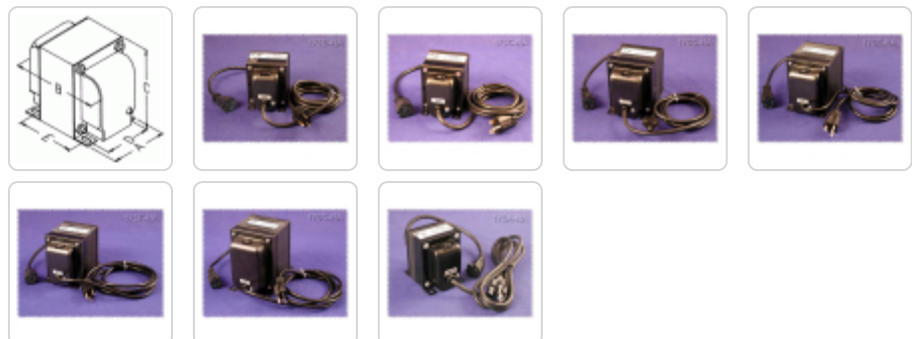
### Plug-In



### Features

- Single winding, does not provide isolation, for use where equipment is already isolated and only voltage change is required.
- World wide applications, 50 or 60 Hz. operation, step down (230VAC to 115 VAC).
- Input is circuit breaker protected.
- Hi-pot tested to 2 KV RMS.
- Input is a standard 250V North American, 3-wire, grounded plug (can also be used with **adaptors** for proper grounding).
- Input on "-NA" version - connected to a 5 foot cord & grounded North American 250V plug (NEMA 6-15P).
- Output connected to a one foot long "pig tail" cord with standard North American 115V - 3 wire grounded receptacle (NEMA 5-15R).
- North American Mark of Safety - C UL & UL listed (File #E211544).
- Indoor use only.
- Remember - These units do NOT convert line frequency.

### Gallery



Part No.	Capacity	Overall Dimensions					Wt. Lbs.
	VA	A	B	C	D	E	

Part No.	Capacity	Overall Dimensions					Wt. Lbs.
	VA	A	B	C	D	E	
175A-NA	100	3.16	4.25	3.81	2.50	2.94	3.5
175B-NA	200	3.16	4.50	3.81	2.50	3.19	4.5
175C-NA	300	3.16	5.00	3.81	2.50	3.69	6
175D-NA	500	3.80	6.00	4.68	3.00	4.38	10
175E-NA	750	3.80	7.06	4.68	3.00	5.38	14
175F-NA	1000	3.80	7.06	4.68	3.00	5.38	14.5
175G-NA	1500	4.40	6.63	5.39	3.50	6.09	22

*Data subject to change without notice*

© 2020. Hammond Manufacturing Ltd. All rights reserved.