

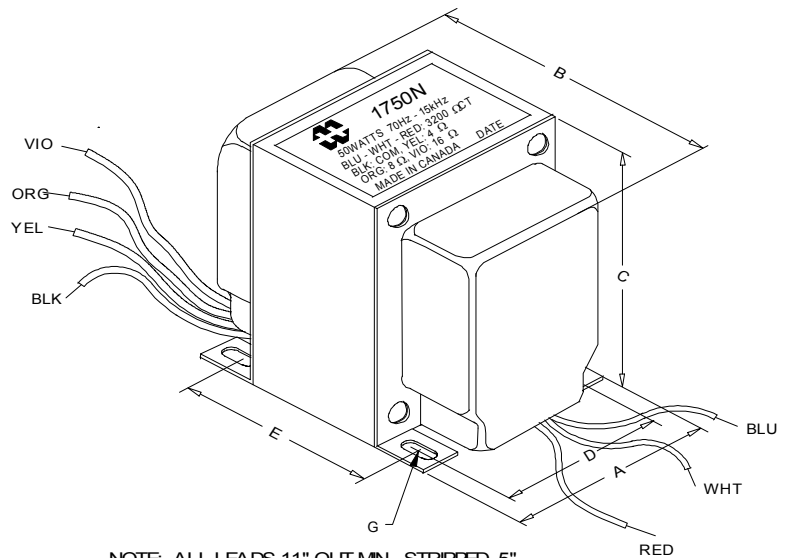
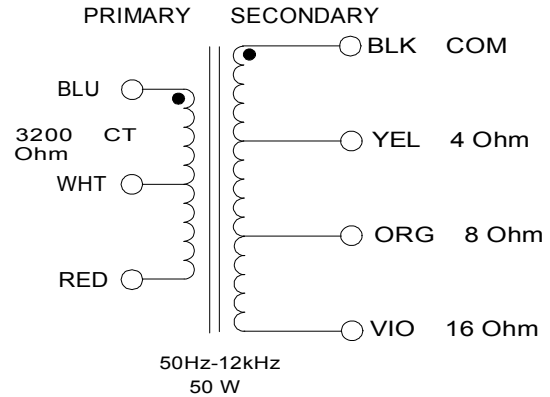
1750N

TUBE GUITAR AMPLIFIER - OUTPUT TRANSFORMER

- Designed for drop in replacement of original units such as Marshall¹ JMP, JCM 800(P-TM050)
- Constructed to look similar to original factory units (where possible).
- Material used & design specifications were kept as close as possible to the original part to preserve the stock "tone".
- Open style with minimum 11" long primary and secondary leads
- Frequency response 70Hz - 15KHz (0/-1dB reference @ 1KHz)
- Distortion is less than 1% @ 70Hz

ELECTRICAL SPECIFICATIONS

Characteristics		Typical
Input Impedance		3200 Ohms
Output Impedance		4, 8 & 16 Ohms
Output Power		50 W
DCR		
Primary Blue-White		41.74 Ohms
Primary White-Red		43.14 Ohms
Secondary Black-Yellow		0.770 Ohm
Inductance	Impedance	@ 1.0 kHz, 1.0 V OC
Primary Blue-Red	18.3H	112K Ohm
Leakage Inductance		
Primary Blue-Red		@ 1.0 kHz, 1.0 V SC
		13.41 mH
Dielectric Strength		1500VRMS
Temperature Range		-40 to 105 degC



NOTE: ALL LEADS 11" OUT MIN., STRIPPED .5"

Dimensions		
A	3.125" ±0.063	C 3.800" Max
B	3.350" Max	D 2.500" ±0.063
E	2.450" ±0.063	G 0.188X0.406" ±0.015

TEST CONDITIONS

Measurement instruments:

D scope series iii audio analyzer

Wayne Kerr 3255B with a 3265B

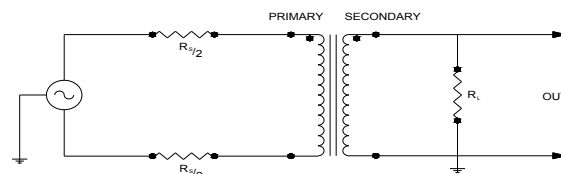
Keithley 2010 DVM

Hp4192a impedance analyzer

* All graphs input level 27dBu @1.0KHz reference.

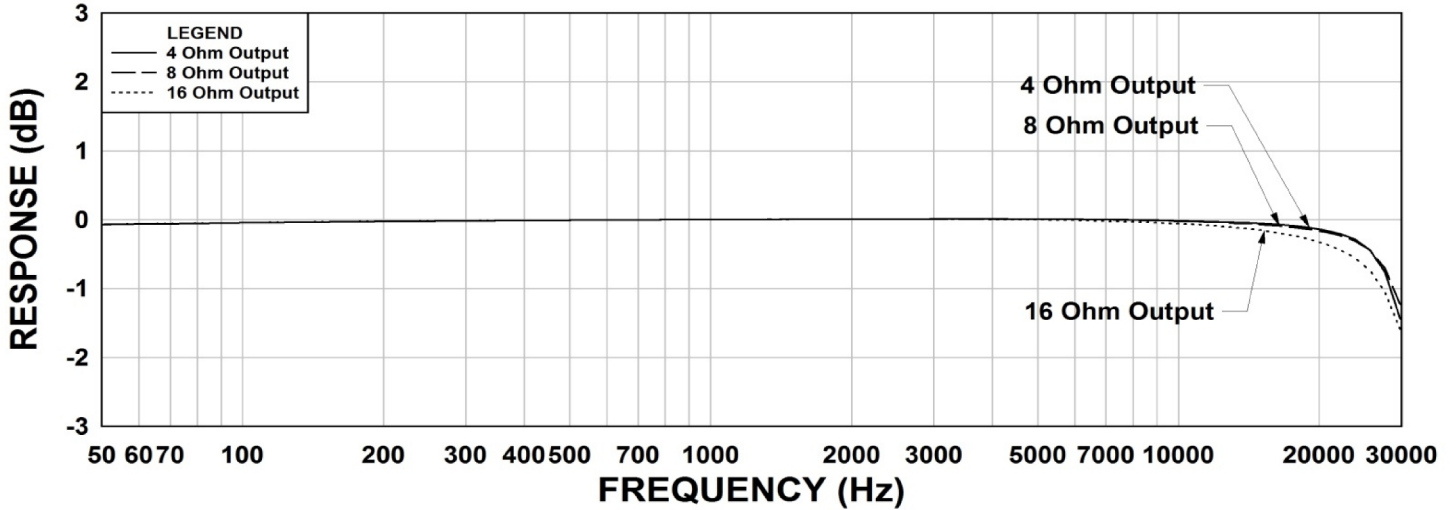
**The results are typical and are subject to normal manufacturing and electrical tolerances.

TYPICAL TEST CIRCUIT

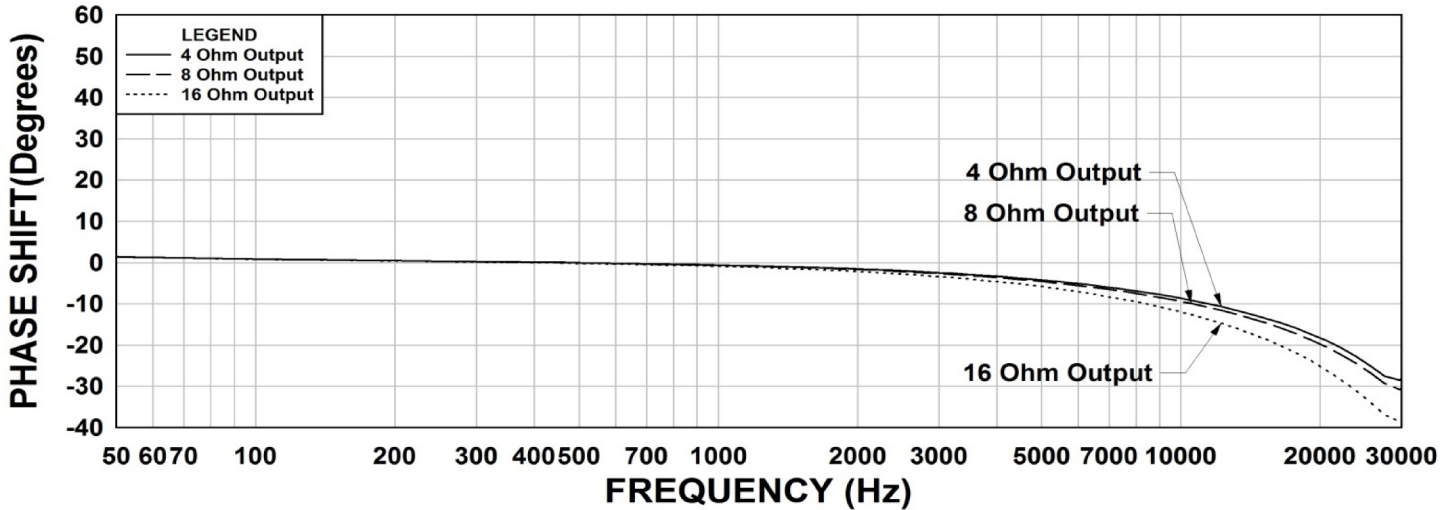


¹DISCLAIMER: Hammond Mfg. is not affiliated with Fender Musical Instruments Corp., Marshall Amplification, Yorkville/Traynor, AMPEG or VOX Amplification companies. Amplifier model names are trademarks of the amplifier companies and are just listed here for reference purpose only.

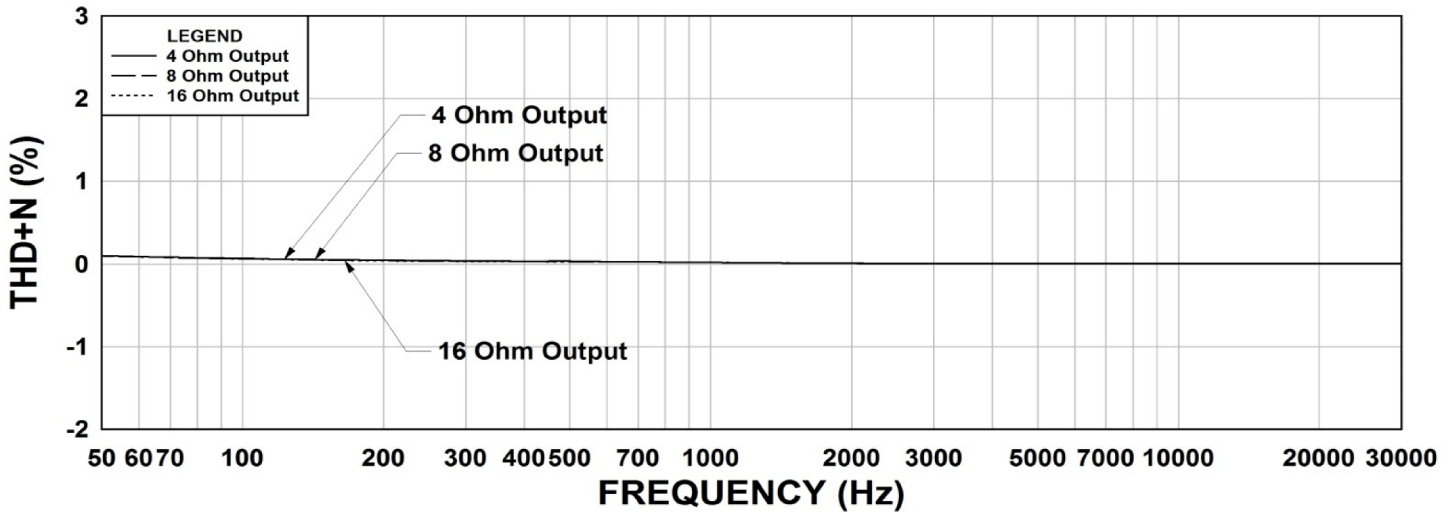
1750N Frequency Response RS = 3200 Ohms



1750N Phase Shift RS = 3200 Ohms



1750N THD+N RL = 3200 Ohms



This drawing and the information in it is the property of Hammond Manufacturing. It may not be reproduced, transmitted or used in any manner whatsoever without the written permission of Hammond Manufacturing. Data subject to change without notice.