



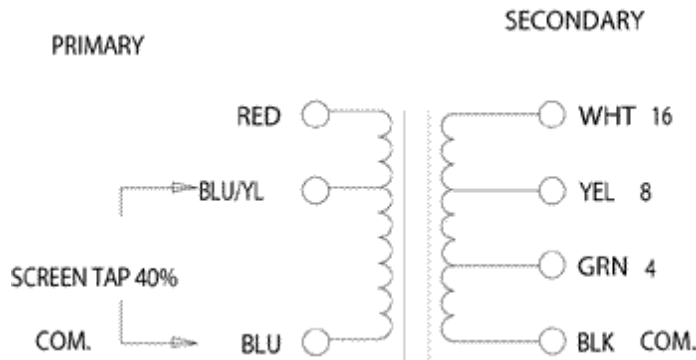
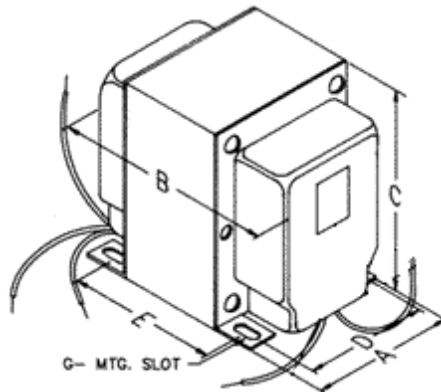
Quality Products. Service Excellence.

Tube Output (25 - 75 Watts) Single Ended - HI-FI 1627-1642 Series

Features



- "Over designed" for high fidelity, single ended, Class-A, tube output circuits (triode, tetrode or pentode tubes).
- Enclosed (shielded), four slot, chassis Type "X" mounting.
- Frequency response at least 20 Hz. to 20 KHz. at full rated power (+/- 1 db max., ref. 1 KHz.)
- Insulated flexible leads 8" min.
- For maximum versatility, all units (except the 1642SE & 1638SEA) include a 40% screen tap for Ultra-Linear, tetrode/pentode operation (if desired). The 1642SE & 1638SEA do NOT include this screen tap as they were designed principally for high impedance triode tubes.
- High quality laminations, (M6) grain oriented silicon steel.
- Core is gapped to reduce core saturation in Class-A tube amplifier circuits.
- For general purpose or replacement use in single ended tube output circuits see our **125SE Series**.



| Part No. | Audio Watts | Impedance (Ohms) | Primary | | Ultra-Linear 40% Primary Tap | Secondary Impedance (Ohms) | Hipot Test (VRMS) | Weight (lbs.) | Overall Dimensions | | | | | Mounting Slot G |
|----------|-------------|------------------|--------------|------------|------------------------------|----------------------------|-------------------|---------------|--------------------|------|------|------|------|-----------------|
| | | | Max. DC Bias | Inductance | | | | | A | B | C | D | E | |
| 1626SEA | 25 | 600 | 250 ma. | 2.9 Henrys | Yes | 4-8-16 | 2000 | 11 | 3.75 | 4.44 | 4.56 | 3.00 | 3.31 | 0.20 x 0.38 |
| 1640SEA | 30 | 1250 | 200 ma. | 14 Henrys | Yes | 4-8-16 | 2000 | 11 | 3.75 | 4.94 | 4.56 | 3.00 | 3.81 | 0.20 x 0.38 |
| 1627SEA | 30 | 2500 | 160 ma. | 20 Henrys | Yes | 4-8-16 | 2000 | 11 | 3.75 | 4.94 | 4.56 | 3.00 | 3.81 | 0.20 x 0.38 |

| Part No. | Audio Watts | Impedance (Ohms) | Primary Max. DC | | Ultra-Linear | Secondary | Hipot | Weight (lbs.) | Overall Dimensions | | | | | Mounting | |
|----------|-------------|------------------|-----------------|------------|-----------------|------------------|-------------|---------------|--------------------|------|------|------|------|----------|--------|
| | | | Bias | Inductance | 40% Primary Tap | Impedance (Ohms) | Test (VRMS) | | A | B | C | D | E | Slot G | |
| 1630SEA | 30 | 3500 | 135 ma. | 42 Henrys | Yes | 4-8-16 | 2000 | 11 | 3.75 | 4.94 | 4.56 | 3.00 | 3.81 | 0.20 | x 0.38 |
| 1628SEA | 30 | 5000 | 120 ma. | 48 Henrys | Yes | 4-8-16 | 2000 | 11 | 3.75 | 4.94 | 4.56 | 3.00 | 3.81 | 0.20 | x 0.38 |
| 1642SE | 75 | 5000 | 300 ma. | 53 Henrys | No | 4-8-16 | 3500 | 28 | 4.38 | 7.50 | 5.25 | 3.50 | 5.88 | 0.20 | x 0.38 |
| 1629SEA | 30 | 6500 | 100 ma. | 55 Henrys | Yes | 4-8-16 | 2000 | 11 | 3.75 | 4.94 | 4.56 | 3.00 | 3.81 | 0.20 | x 0.38 |
| 1638SEA | 30 | 10000 | 90 ma. | 88 Henrys | No | 4-8-16 | 2000 | 11 | 3.75 | 4.94 | 4.56 | 3.00 | 3.81 | 0.20 | x 0.38 |

- RED wire connects to B+
- BLUE/YELLOW wire connects to screen (optional use)
- BLUE wire connects to the tube plate
- The 1642SE & 1638SEA do not include a primary screen tap (as they are designed for triode applications).

Suggested Tube Types:

| Part No. | Triodes | Pentodes |
|----------|---|--|
| 1626SEA | 6C33 | - |
| 1640SEA | Parallel - 2A3, 6A3, 6B4G, 300B, 572B, 811A | Parallel - 6550, 6CA7 |
| 1627SEA | 2A3, 6A3, 6B4G, 300B | 6CA7, 6L6, 807, 5881, 6550, Parallel - 6AQ5, 6V6, EL84 |
| 1630SEA | 2A3, 6A3, 6B4G, 300B | 6CA7, 6L6, 807, 5881, 6550, Parallel - 6AQ5, 6V6, EL84 |
| 1628SEA | 211, 300B, 572B, 811A | 6AQ5, 6V6, 6L6, 807, 5881, 6550, EL84 |
| 1642SE | Parallel - 211, 572, 811A, 845 | - |
| 1629SEA | 211, 811A, 572B, 845 | 6AQ5, 6V6, 6L6, 807, 5881, 6550, EL84 |
| 1638SEA | 211, 845 | - |

Notes: The above examples of possible combinations are to help you narrow down the choices of transformers for your favorite tube types. How you operate the tubes (ultra-linear, bias, plate voltage, operating points, etc.) will change optimum plate load impedance. Only a few of the most popular tubes are shown. A tube manual or tube manufacturer's technical data sheets should be consulted first, before making a decision on a proper output transformer.

Data subject to change without notice

© 2020. Hammond Manufacturing Ltd. All rights reserved.