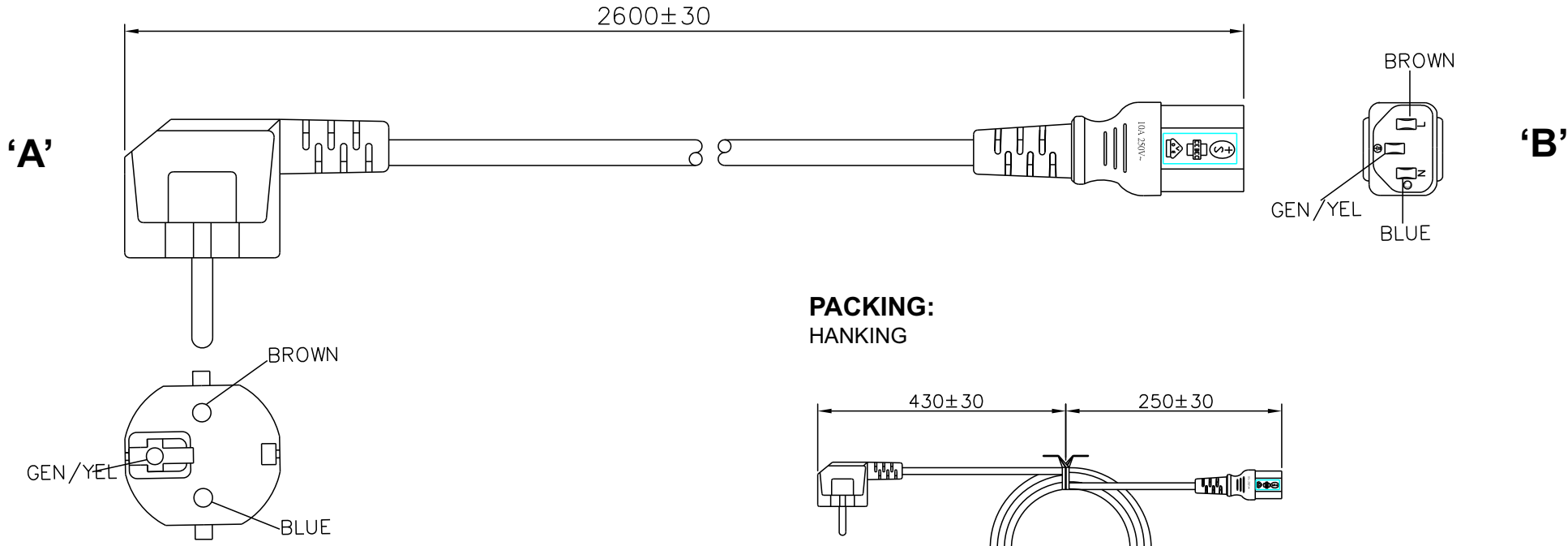
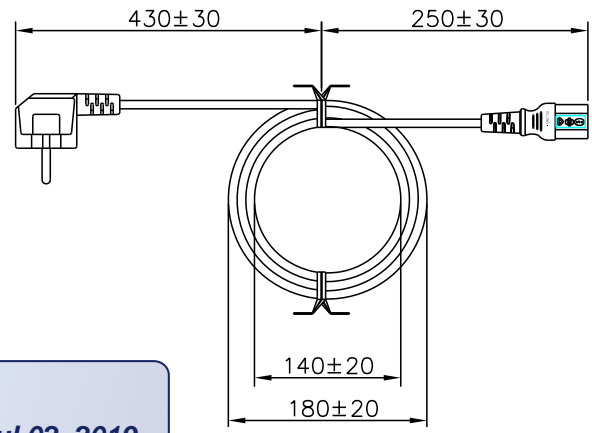


**PROPRIETARY INFORMATION:**  
 PROPRIETARY OF GLOBTEK, INC. ANY REPRODUCTION, DISCLOSURE OR USE OF THIS DRAWING, IN WHOLE OR IN PART, IS HEREBY PROHIBITED EXCEPT AS SPECIFIED IN WRITING BY GLOBTEK, INC.

REVISION			
REV	DESCRIPTION	DATE	APPROVED
A	INITIAL RELEASE, RFS.25129, SO	08/08/13	HM
B	ADD CARTON LABEL, RFS. 26864, BS		HM
C	UPDATE APPROVAL MARKS ON CORD, PLUG, ONNECTOR, RFS.2738427384	06/28/19	MK



**PACKING:  
HANKING**



**Customer Approval of Specification:**

Please approve, sign and send back to GlobTek so we can complete order processing. A delay in receipt of this form will delay delivery schedule.

Company Name:  
 Customer P/N:  
 Quote Number:  
 Date:  
 Auth. Rep. Name:  
 Auth. Rep. Signature:

**RELEASED**  
 By pudxc at 10:51 am, Jul 02, 2019



**Foot Note:**  
 Globtek Inc. will not be liable for the safety and performance of these power product if unauthorized access and repair occurs. End user should consult the applicable UL, CSA or EN Standards for proper installation instruction.

**Limitation of Use:**  
 Globtek product are not authorized for use as mission critical components in life support, hazardous environment, nuclear or aircraft applications without prior written approval from the CEO of Globtek Inc.

Contents of this document are subject to change without prior notice

DASH NO.	PART NO	REV.	DESCRIPTION	NOTES
<b>TABULATION BLOCK</b>				
		<b>TOLERANCES:</b> DECIMALS ANGULAR .xx +/- 0.1 +/- 1° .xxx +/- .005		<b>GlobTek, Inc.</b> www.globtek.com 186 Veterans Dr. Northvale, NJ 07647 Tel. 201-784-1000 Fax 201.784.0111
		MILLIMETERS ANGULAR .xx +/- 0.3 +/- 1° .xxx +/- .013		
INIT.BY:SO	DATE: 08/08/13	<b>DWG TITLE:</b> EUROPEAN DETACHABLE CORDSET		
DRAWN: NF	DATE: 08/08/13	FSCN No.: G, CC	SIZE: A	REV. C
APRVD: HM	DATE: 08/08/13	SCALE: NONE	PART NO: <b>23134272M5701D(R)</b>	SHEET 1/2

**GENERAL SPECIFICATIONS:**

RATING: 10A / 250V AC  
 CABLE TYPE / SIZE: H05VV-F, 3 x 1.0mm<sup>2</sup>  
 TEMPERATURE RATING: 70° C  
 CONDUCTOR COLORS: BROWN / BLUE/ GREEN-YELLOW  
 CABLE JACKET COLOR: BLACK  
 OVERALL LENGTH (L): 2600 ± 30 mm  
 CABLE OUTER DIAMETER: 7.2 ± 0.1 mm  
 END 'A' PLUG: RIGHT ANGLE CEE 7/7  
 END 'B' : IEC-320 / C13  
 APPROVALS PLUG: VDE, N, S, D, FI, KEMA, OVE, IMQ, CEBEC,IMQ, NF, EAC  
 APPROVALS CABLE: VDE, N, S, D, FI, KEMA, SEV, CEBEC, OVE, IEMMEQU, EAC  
 APPROVALS CONNECTOR: ENEC-VDE

**NOTES:**

1. PLUG MUST BE MARKED WITH APPROVAL SYMBOLS OR FILE NUMBER(S):



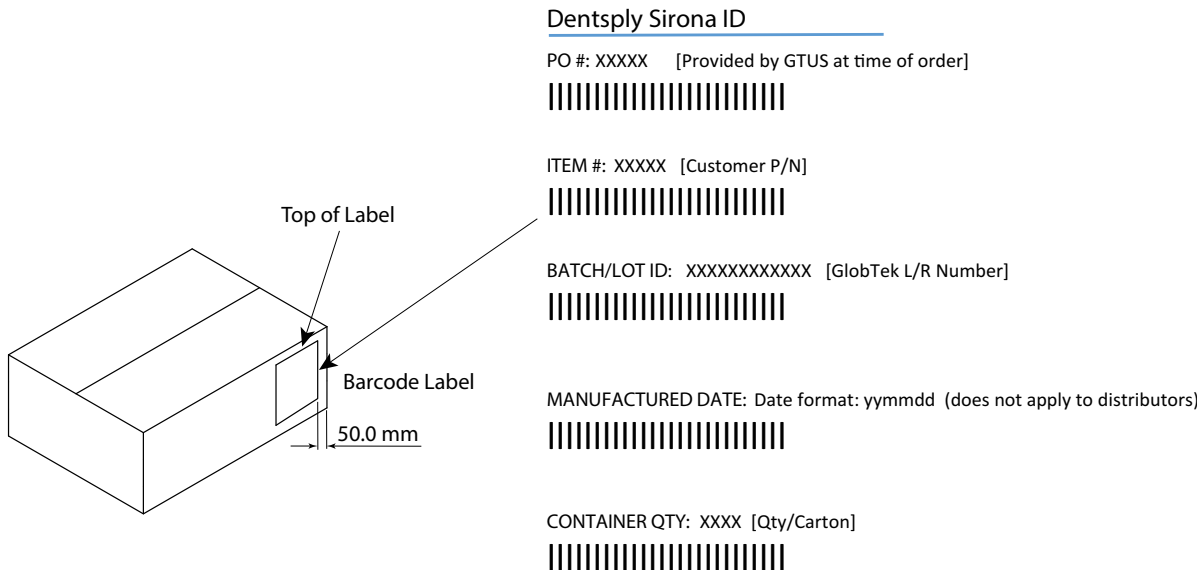
2. CABLE MUST BE MARKED WITH APPROVAL SYMBOLS OR FILE NUMBER(S):  
 VDE, N, S, D, FI, KEMA, SEV, CEBEC, OVE, IEMMEQU, EAC


3. CONNECTOR MUST BE MARKED WITH APPROVAL SYMBOLS OR  
 FILE NUMBER(S):



**PACKING:**

Outside of every carton must include Bar code label:



 <b>GlobTek, Inc.</b> www.globtek.com		186 Veterans Dr. Northvale, NJ 07647 Tel. 201-784-1000 Fax 201.784.0111	
DWG TITLE:		EUROPEAN DETACHABLE CORDSET	
		REV. C	
PART NO:	<b>23134272M5701D(R)</b>	SHEET 2/2	