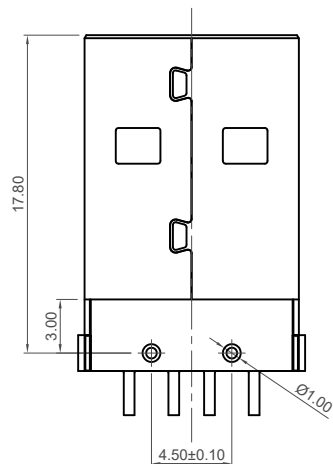
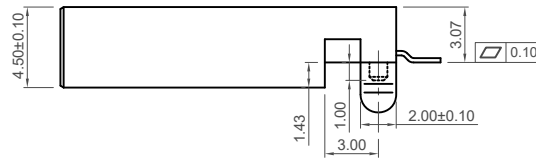
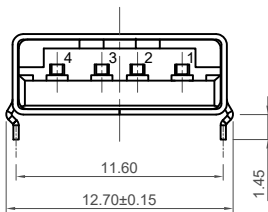


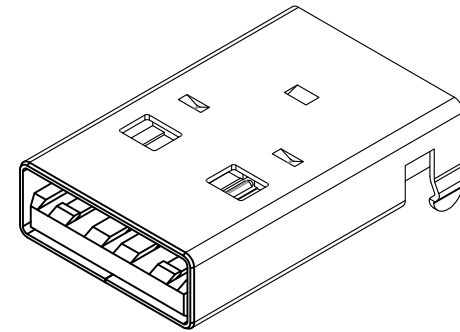
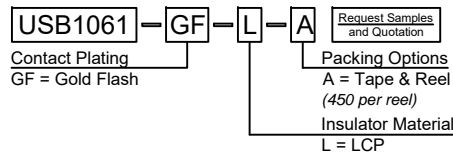
Recommended PCB Layout

As viewed from component side.
Recommended PCB Thickness: 1.20mm
General Tolerance: ±0.05

☒ Solder Area ☐ Component Outline



Ordering Grid



Specification 规格

Material 物料

Plastic Housing 塑胶外壳: LCP, UL94V-0, Black
Contact Terminal 接触端子: Copper Alloy
Metallic Shell 金属外壳: Steel

Plating 电镀

Underplating 底层电镀: 50µ" Nickel
Plating 电镀:
Contact Area: See ordering grid
Solder Tails 焊接末端: 100µ" Tin
Metallic Shell 金属外壳: Nickel

Electrical 电气

Voltage Rating 电压额定值: 30 V
Current Rating 电流额定值: 1.5 A
Operating Temperature 工作温度: -55°C to +85°C
Contact Resistance 接触电阻值: 30 mΩ max.
Insulating Resistance 绝缘电阻值: 1000 MΩ min.
Dielectric Withstand Voltage 耐压: 500 V AC

Mechanical & Environmental 机械 & 环境

Mating Force 插入力: 35N (3.57Kgf) max.
Unmating Force 拔出力: 10N (1.02Kgf) min.
Durability 耐久性: 1,500 Cycles

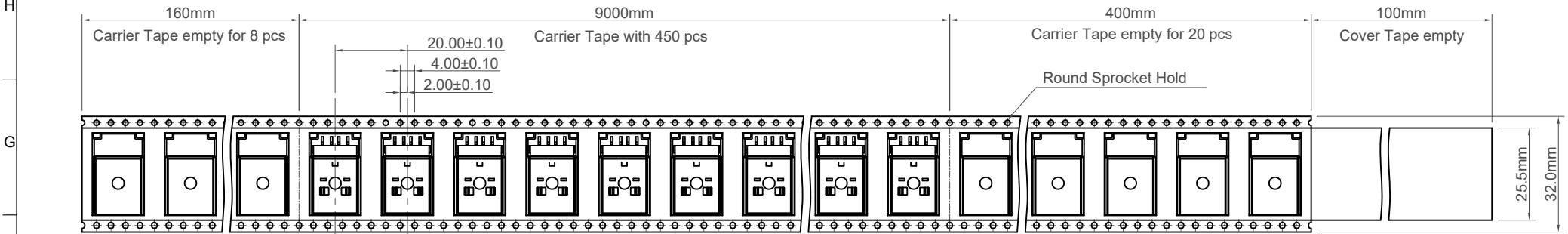
Part Number		Product Description	
USB1061		USB Plug, Type A, 4 Pin, Mid-Mount, Offset 1.43mm, SMT, Horizontal, Top Mount, Plastic Peg & Kinked Shell Stakes	
Drawing Date		2nd December 2014	
By	AJO	Tolerances (Except as Noted)	Units:
Detail	Drawing Release	Length	Metric (mm)
Revision	A	Angle	3rd Angle Projection
Date	02/12/14	X.X ± 0.35	
		X.XX ± 0.25	



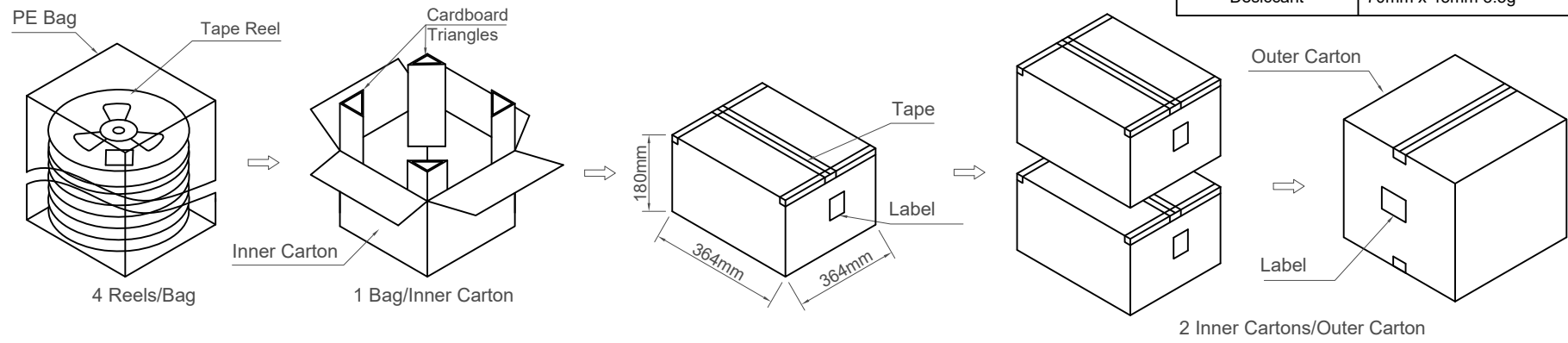
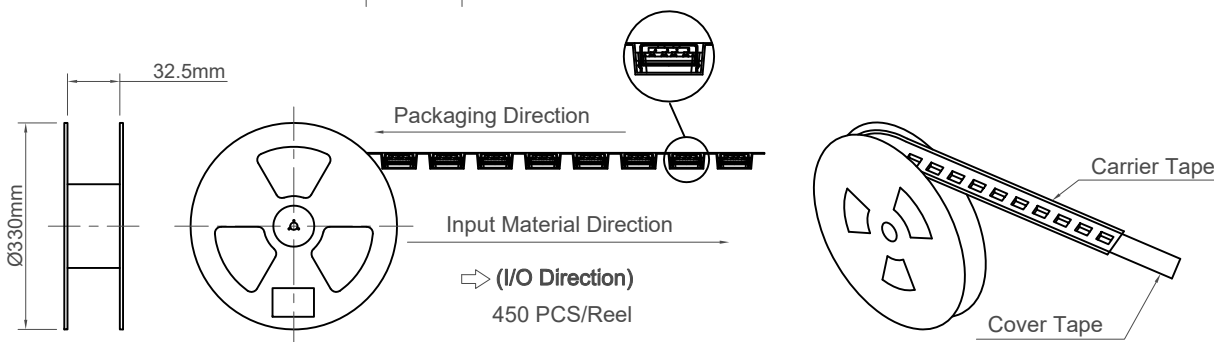
This drawing is confidential and copyright of Global Connector Technology, Ltd (GCT). This drawing must not be copied or disclosed without written consent. E & OE



Not to Scale Drawn By AJO Sheet No. 1/2



Name	Specification	Q'ty
Carrier Tape	32.0mm x 9.56m	8
Cover Tape	25.5mm x 200m	9.66m
Tape Reel	Ø330mm x 32.5mm	8
PE Bag	400mm x 400mm x 400mm	2
Cardboard Triangle	430mm x 150mm x 3mm	4
Inner Carton	364mm x 364mm x 180mm	2
Outer Carton	386mm x 383mm x 400mm	1
Desiccant	70mm x 45mm 3.5g	4



Product Part No.	PCS/Reel	Reels/Carton	PCS/Carton
USB1061	450	8	3600

Part Number		Product Description	
USB1061		USB Plug, Type A, 4 Pin, Mid-Mount, Offset 1.43mm, SMT, Horizontal, Top Mount, Plastic Peg & Kinked Shell Stakes	
Drawing Date		2nd December 2014	
By	AJO	Tolerances (Except as Noted)	Units:
Detail	Drawing Release	Length	Metric (mm)
Revision	A	Angle	3rd Angle Projection
Date	02/12/14		



This drawing is confidential and copyright of Global Connector Technology, Ltd (GCT). This drawing must not be copied or disclosed without written consent. E & OE



Not to Scale	Drawn By AJO	Sheet No. 2/2
--------------	--------------	---------------