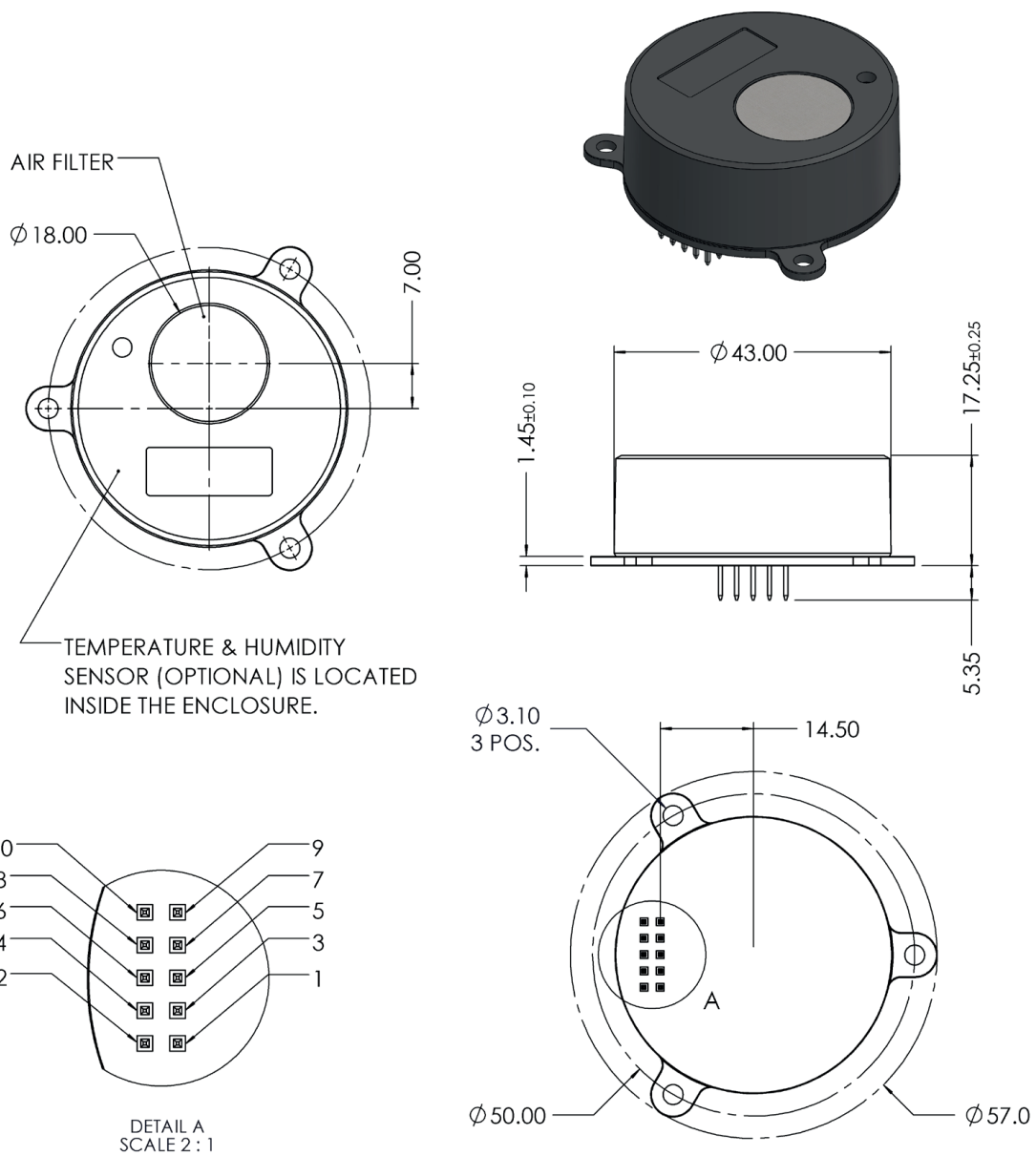


Technical drawings



CozIR[®]-A



FUNCTION	PIN #	PIN #	FUNCTION
FRESH AIR ZERO	10	9	ANALOGUE OUTPUT
NITROGEN ZERO	8	7	SENSOR Tx (OUT)
GND	6	5	SENSOR Rx (IN)
GND	4	3	+3.3V
N/C	2	1	GND

NOTE: ONLY ONE GND CONNECTION IS REQUIRED.

THIS INFORMATION SUPPLIED BY GSS IS BELIEVED TO BE ACCURATE AND RELIABLE. HOWEVER NO RESPONSIBILITY IS ASSUMED BY GSS LTD FOR ITS USE.

Document version no: **24/07/18-001**

60-62 Grayhill Road
Westfield North Courtyard
Cumbernauld G68 9HQ

Tel: +44 (0) 1236 781 900
info@gassensing.co.uk
www.gassensing.co.uk

GSS
Gas Sensing Solutions