

Three-pole IEC Class II surge arrestors for TN-C systems



Optional remote contact signaling

The three-pole terminal remote contact signaling option has a floating changeover contact for use as a break or make contact, according to circuit concept.

Specifications:

System volts

- 120
- 230

System types

- TN-C

Agency information

- CE
- KEMA
- RoHS compliant

Mounting

- 35mm DIN-Rail

Warranty

- Five years

Catlog symbols:

- BSPM_TNC
- BSPM_TNCR

Description:

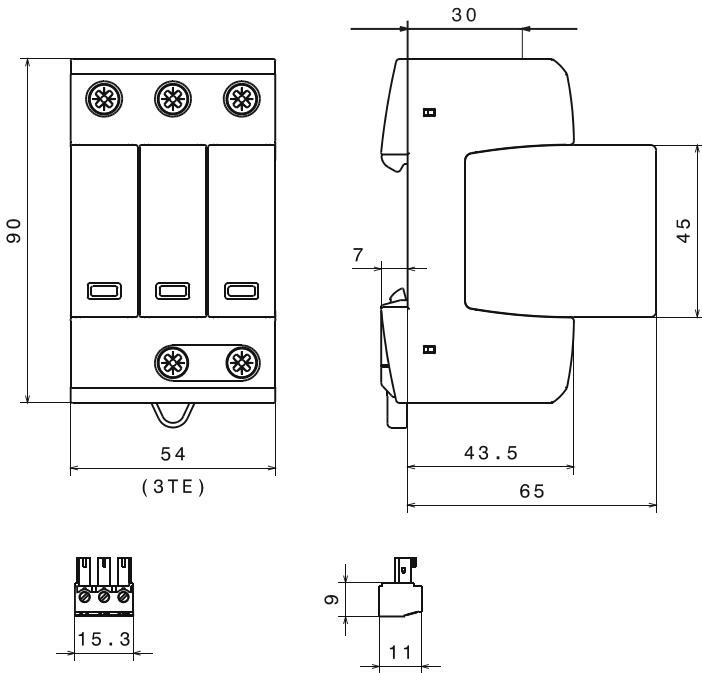
Eaton's Bussmann™ series three-pole IEC Class II modular surge arresters for TN-C systems feature local *easyID™* visual status indication and optional remote contact signaling. The unique module locking system fixes the protection module to the base. Modules can be easily replaced without tools by simply depressing the release buttons. Integrated mechanical coding between the base and protection module ensures against installing an incorrect replacement module.

MCOV rating are 150V for 120 volt models and 275V or 385V for 230 volt models.

TNC System Arresters

The features of these three-pole devices are for use in TN-C 120/240 volt or 230/400 volt systems ("3-0" circuit) against surges.

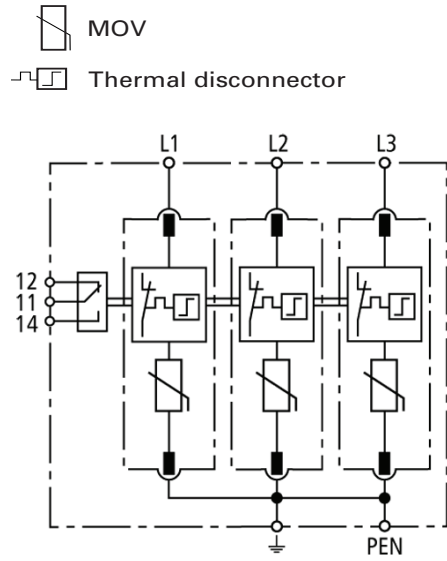
Dimensions - mm:



Shown with optional remote contact signaling.

Circuit diagrams:

Shown with optional remote contact signaling.



BSPM3150TNC(R)
 BSPM3275TNC(R)
 BSPM3385TNC(R)

Ordering information:

System voltage (50-60Hz) / poles		120/240V / 3	230/400V / 3	230/400V / 3
Max. Continuous Operating Voltage (MCOV) [U_c] AC (50-60Hz)		150V	275V	385V
Catalog numbers (base + modules)		W/O remote signaling	BSPM3150TNC	BSPM3275TNC
		W/ remote signaling	BSPM3150TNCR	BSPM3275TNCR
Replacement modules		BPM150IEC	BPM275IEC	BPM385IEC
Specifications				
Nominal AC voltage [U_N]		120 / 240V	230 / 400V	230 / 400V
Voltage protection level [U_p]			≤ 0.7 kV	≤ 1.5 kV
		at 5kA	≤ 0.55 kV	≤ 1 kV
Short-circuit withstand capability for max. mains-side overcurrent protection (I_{SCCR})		50kA _{rms}	50kA _{rms}	25kA _{rms}
Temporary overvoltage (TOV) [U_T]		Withstand	175V / 5 sec	335V / 5 sec
		Safe failure	230V / 120 min.	440V / 120 min
Nominal discharge current (8/20 μ s) [I_n]		15kA	20kA	20kA
Agency information		—	KEMA	—
Max. discharge current (8/20 μ s) [I_{max}]		40kA		
SPD according to		EN 61643-11 Type 2, IEC 61643-11 Class II		
Response time [t_A]		≤ 25 ns		
Max. mains-side overcurrent protection		125A gG		
Operating environment [T_U]		-40°C to +80°C, 5% to 95% RH		
Operating state/fault indication		Green (good) / Red (replace)		
Number of ports		1		
Cross-sectional area		Min.	1.5mm ² /14AWG solid/flexible	
		Max.	35mm ² /2AWG stranded — 25mm ² /4AWG flexible	
Mounting		35mm DIN-Rail per EN 60715		
Enclosure material		Thermoplastic, UL 94V0		
Location category		Indoor		
Degree of protection		IP20		
Capacity		3 mods., DIN 43880		
Product warranty		Five years*		
Remote contact signaling				
Contact signaling type		Changeover contact		
Switching capacity (volts/amps)		AC	250V/0.5A	
		DC	250V/0.1A; 125V/0.2A; 75V/0.5A	
Conductor ratings and cross-sectional area		60/75°C Max. 1.5mm ² /14AWG solid/flexible		
Ordering information		Order from catalog numbers above		

* See Eaton Bussmann series SPD limited warranty statement (3A1502) for details at www.cooperbussmann.com/surge.

Recommended Bussmann series back up fuses

DIN fuse size	NH fuse catalog number
00	125NHG00B
0	125NHG0B
01	125NHG01B
02	125NHG02B

The only controlled copy of this data sheet is the electronic read-only version located on the Eaton network drive. All other copies of this document are by definition uncontrolled. This bulletin is intended to clearly present comprehensive product data and provide technical information that will help the end user with design applications. Eaton reserves the right, without notice, to change design or construction of any products and to discontinue or limit distribution of any products. Eaton also reserves the right to change or update, without notice, any technical information contained in this bulletin. Once a product has been selected, it should be tested by the user in all possible applications.

Eaton
1000 Eaton Boulevard
Cleveland, OH 44122
Eaton.com

Bussmann Division
114 Old State Road
Ellisville, MO 63021
United States
Eaton.com/bussmannseries

© 2015 Eaton
All Rights Reserved
Printed in USA
Publication No. 1168 — BU-SB15XXX
December 2015

Eaton, Bussmann and easyD are valuable trademarks of Eaton in the U.S. and other countries. You are not permitted to use the Eaton trademarks without prior written consent of Eaton.
CSA
KEMA

For Eaton's Bussmann series
product information,
call **1-855-287-7626** or visit:
Eaton.com/bussmannseries

Follow us on social media to get the
latest product and support information.

