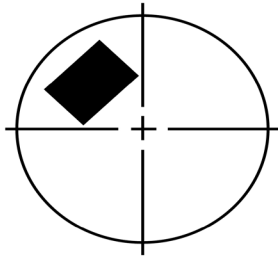
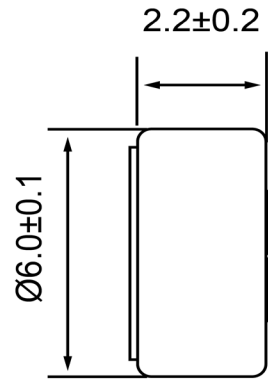


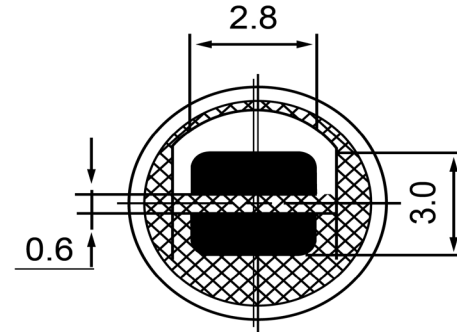
TOP VIEW




SIDE VIEW



BOTTOM VIEW



Specifications			Notes	Revision History															
Description	Value	Unit		Version	Description	Date	Approved												
Directivity	Omnidirectional		1) All dimensions are in mm unless otherwise noted 2) All parts meet RoHS 	1	Released from Engineering	10/21/2013	J.S												
Technology	Electret Condenser																		
Sensitivity	-40	(dB)																	
Frequency Range	50 ~ 16,000	(Hz)																	
Rated Voltage	2	(V)																	
Output Impedance	2,200	(Ohm)																	
Connection Method	Solder Pads																		
Voltage Range	1 ~ 10	(V)																	
Max Rated Current	0.5	(mA)																	
Minimum Signal to Noise Ratio	>60	(dB)																	
Operating Temperature	-10 ~ +50	°C																	
Storage Temperature	-20 ~ +60	°C																	
			Electret Condenser Microphone	MO064002-1															
				<table border="1"> <thead> <tr> <th>Drawn by</th> <th>Date</th> <th>Checked by</th> <th>Date</th> <th>Approved by</th> <th>Date</th> </tr> </thead> <tbody> <tr> <td>A.B.</td> <td>10/21/2013</td> <td>C.E.</td> <td>10/21/2013</td> <td>J.S</td> <td>10/21/2013</td> </tr> </tbody> </table>	Drawn by	Date	Checked by	Date	Approved by	Date	A.B.	10/21/2013	C.E.	10/21/2013	J.S	10/21/2013			
Drawn by	Date	Checked by	Date	Approved by	Date														
A.B.	10/21/2013	C.E.	10/21/2013	J.S	10/21/2013														