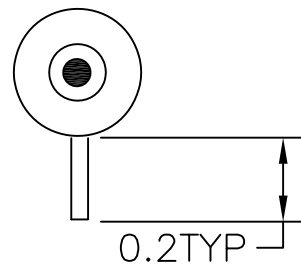
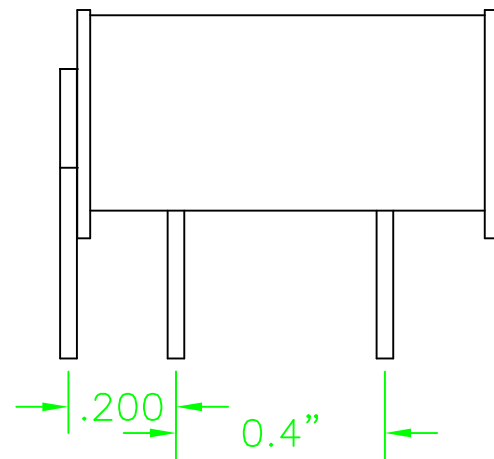



PART NUMBER

1320-0185

1320-0185
COTO-(D/C)



APPROVAL:	CUSTOMER: N/A	TYPE:
ENG.:	CUSTOMER P/N:	P/N: 1320-0185
SCALE: N/A	SHEET: 1 OF 1	 55 DUPONT DR. PROVIDENCE RI
DATE:		