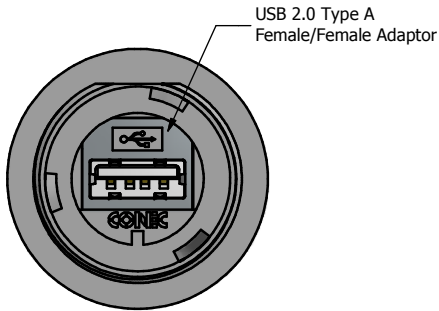
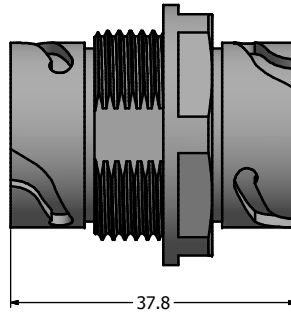


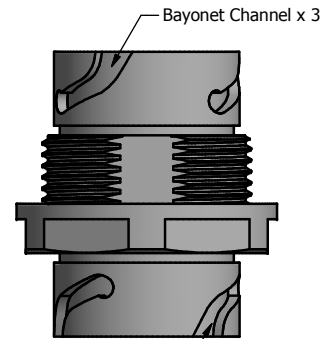
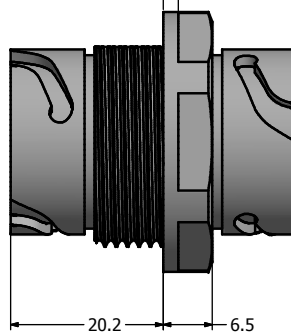
Panel Flange
Receptacle Housing
(Bayonet Locking Style
on Both Sides)



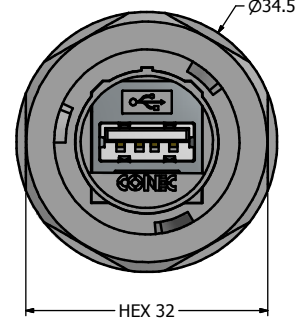
USB 2.0 Type A
Female/Female Adaptor



2 (b)



Bayonet Channel x 3



Notes:

- Electrical Specifications:
 - Meets USB 2.0 Specification
 - Contact Resistance: 30 mOhm max.
 - Insulation Resistance: 1000 MOhm min. @ 100 VDC
 - Current Rating: 1.5 A max. at 25° C
 - Working Voltage: 30 V (RMS) max.
 - DWV: 500 VAC/60s at sea level
 - Operating Temperature: -40° C to +85° C
- Material and Finish:
 - Receptacle Housing: Polyester, UL94 V-0, Color: Black
 - Ⓢ or ABS, Nickel Plated, UL94 V-0
 - Panel Nut: Brass, Finish: Nickel Plated
 - Panel Gasket: Silicon, Color: White
 - USB Adaptor Insulator: PBT, UL94 V-0, Black
 - USB Adaptor Metal Shell: Copper Alloy, Nickel Plated
 - USB Adaptor Overmold material: PBT UL94 V-0, Color: Black
 - USB Contacts: Copper Alloy, Finish: 30 u" Gold min. over Nickel
- Connector can be mounted to a maximum panel thickness of 3.2 mm.
- IP67 rated when covered or fully mated with the appropriated mating connector

Directive 2002/95/EC RoHS Compliant

(b)	Version	Part Number
	Plastic Version	17-210131
	Metallized Plastic Version	17-210171

THIS DRAWING MAY NOT BE COPIED OR REPRODUCED IN ANY WAY AND MAY NOT BE PASSED ON TO A THIRD PARTY WITHOUT WRITTEN PERMISSION. OWNERSHIP AND COPYRIGHT OF CONEC CORPORATION. DO NOT ALTER CAD DRAWING BY HAND	Customer:			Tolerance Unless otherwise specified			Scale:	Dim. in mm		
	Name	Title	Approval Date	0 PLC ±0.50	1 PLC ±0.38		Autodesk Inventor Material: See Notes Title: Receptacle Assembly Kit Both Sides Bayonet Receptacle Housing with USB Type A F/F Adaptor	Title: Receptacle Assembly Kit Both Sides Bayonet Receptacle Housing with USB Type A F/F Adaptor		
				2 PLC ±0.25	3 PLC ±0.10	2012		Date	Name	
				ANGLES ±3°	Draw.	Sept. 28		Vincent Ke	Appd.	Sept. 28
					Norm					
	b	3 x b	Jan/18/2013	Vincent Ke						
	a	original								
	Rev.	Changes	Date	Name			Drawing No.: 17K1A356		DIN A3	
							Part No.: SEE PART NUMBER TABLE		Sheet 1/1	