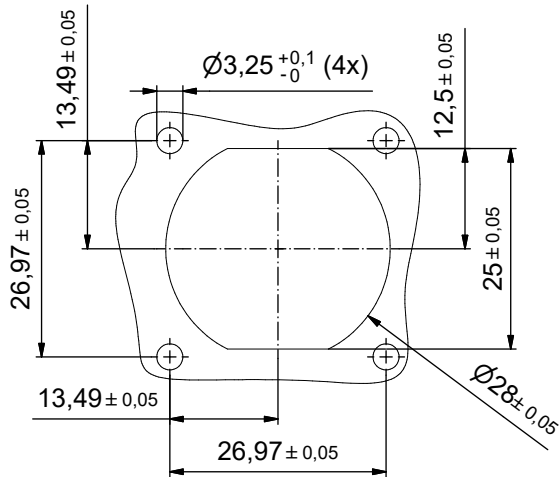
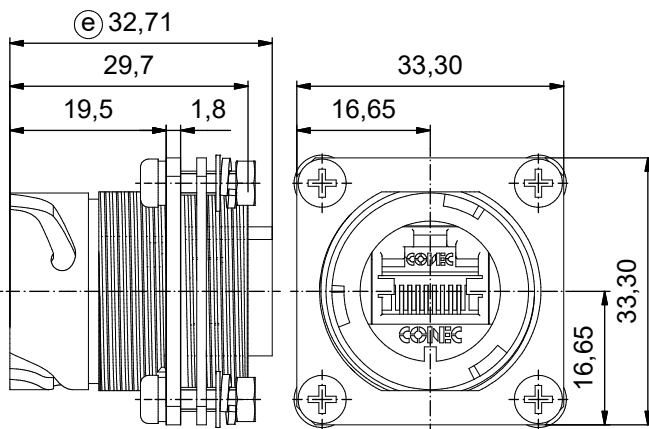
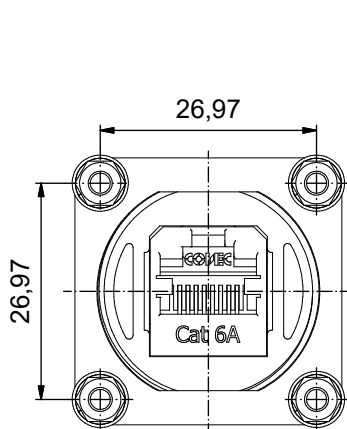
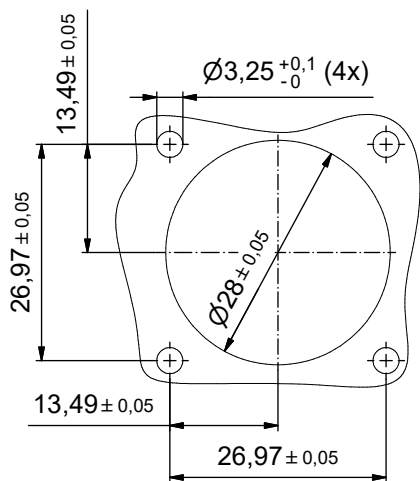


Recommended double-D panel cut-out/
Empfohlener Doppel-D Montageausschnitt



Recommended round panel cut-out/
Empfohlener Kreis-Montageausschnitt



**Technical specification/
Technische Daten:**

| | |
|--|--|
| Electrical specifications/ Elektrische Daten: | ANSI/EIA-568-C.2 Cat 6A channel specification |
| Meets/ Erfüllt: | IP67, rated when covered or fully mated with the appropriate mating connector IP67 bei Verwendung mit Kappe oder passendem Gegenstecker |
| Degree of protection/ Schutzart: | 20 mOhm max. |
| Contact resistance/ Kontaktwiderstand: | 500 MOhm min. @ 100 V DC |
| Insulation resistance/ Isolationswiderstand: | 1 A max. at 25 °C |
| Current rating/ Strombelastbarkeit: | 72 V DC |
| Working voltage/ Betriebsspannung: | 1000 V DC / 60 s contact to contact/ Kontakt zu Kontakt |
| Dielectric withstanding voltage/ Spannungsfestigkeit: | 1500 V DC / 60 s contact to metal shell Kontakt zu Metall-Shell |
| Temperature range/ Temperaturbereich: | - 40 °C ... + 85 °C |

**Materials/
Werkstoffe:**

| | |
|--|---|
| Receptacle housing/ Anschlussgehäuse: | Zinc die-cast, nickel plated/ Zinkdruckguss, vernickelt |
| Panel gasket/ Einbaudichtung: | NBR, black/schwarz |
| M3 mounting hardware/ M3 Montage-Zubehör: | Stainless steel/Edelstahl |
| Cat 6A RJ45 inline coupler metal shell/ Cat 6A RJ45 Inline-Kupplung Metall-Shell: | Copper alloy, nickel plated/ Kupferlegierung, vernickelt |
| Cat 6A RJ45 inline coupler plastic housing/ Cat 6A RJ45 Inline-Kupplung Kunststoff-Gehäuse: | Glass filled PBT UL 94 V-0, black/schwarz |
| Cat 6A RJ45 inline coupler contact/ Cat 6A RJ45 Inline-Kupplung Kontakt: | Phosphor bronze, finish: min. 50 µm gold over nickel/ Veredelung: min. 50 µm Gold über Nickel |

**Installation specification/
Montagedaten:**

Includes:
4 x screw + Nut + gasket washer + flat washer + spring lock washer/
Inklusive:
4 x Schraube + Mutter + Dichtungsring + Unterlegscheibe + Federring

Hardware shipped unassembled/
Zubehör wird unmontiert geliefert

Recommended mounting torque is 8 to 10 in.LB/
Empfohlenes Drehmoment ist 90 bis 113 Ncm

Connector can be front or rear mounted to a maximum panel thickness of 3,2 mm/
Der Stecker eignet sich zur Vorderwand- und auch Hinterwand-Montage, bei einer maximalen Wandstärke von 3,2 mm

Part no./
Art.-Nr.
17-160004

| | | | | | | |
|---|---------------------------|---|-----------------------|--------------------|---|---------------------------|
| Tolerance Unless otherwise specified | | 0 PLC ± 0,50 1 PLC ± 0,38 2 PLC ± 0,25 3 PLC ± 0,10 ANGLES ± 3° | dim. in mm | | Receptacle Assembly Kit with zinc die-cast flange receptacle housing and with shielded Cat 6A RJ45 inline coupler+gasket+M3 hardware Durchführung mit Zinkdruckguss Flansch-Anschlussgehäuse und mit geschirmter Cat 6A RJ45 Inline-Kupplung+Dichtung+M3 Zubehör | |
| Index: | e Ä19-0015 28.03.2019 JLE | scale/ Maßstab: | 1,5 : 1 | drawn/ gezeichnet: | 16.10.2012 V. Ke | dwg no / Z.-nr.: 17K1A366 |
| Status: | InBearbeitung | appd./ gezeichnet: | 16.10.2012 J. Chaudry | Date/ Datum Name | | |
| RoHS compliant/ konform | | CONEC® | | DIN-A3 | | 1 / 1 |

This reproduction, distribution and utilization of this document as well as the communication of its contents to others without express authorization is prohibited. Offenders will be held liable for the payment of damages. For further information on our legal notices, please refer to our website: www.conec.com. In order to avoid any liability, please refer to our website: www.conec.com. In order to avoid any liability, please refer to our website: www.conec.com.