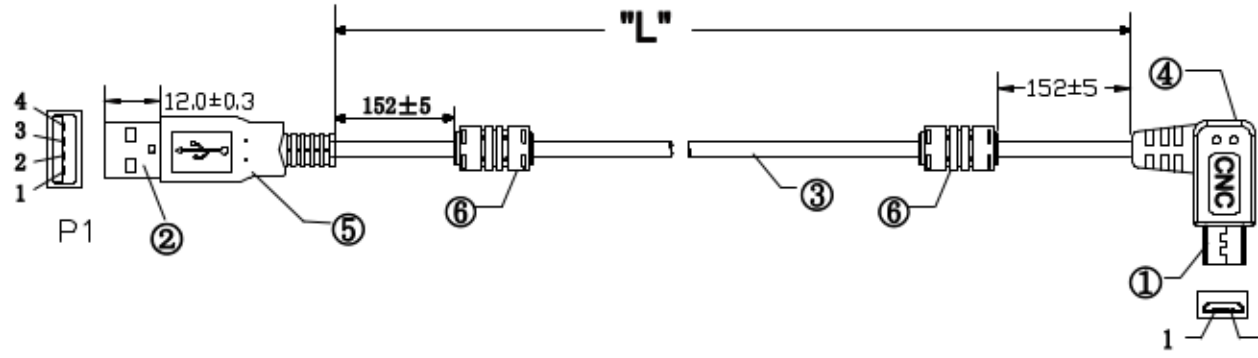


UNIT:MM

REVISION INFORMATION

Rev.	Rev. Date	Modified By	Brief Description
A/0	18-07-13	T0713A	NEW DRAWING



PIN ASSIGNMENT:

P1		P2
1	RED	1
2	WHITE	2
3	GREEN	3
4	BLACK	5
SHELL DRAIN+BRAID		SHELL

Electrical test:  
 1. 100% short, open, miswire test  
 2. Conduct resistance: 2 Ohm(max)  
 3. Insulation resistance: 10Mohm(min)  
 4. dielectric test: DC 300V

CABLE WHITE PRINT  
 E166160 兄 AWM 2725 80°C 30V  
 28AWGX1P+24AWGX2C USB2.0

PART NO	WIRE LENGTH "L"	BUYER COLOR	VENDOR COLOR	CUT LENGTH
102-1292-BL-00100	1000±30		BLACK	1060-1070MM

NO.	NAME	QTY	SPECIFICATION
⑨	TIE	2	BLACK L=80mm
⑧	PE BAG	1/10	CLEAR SIZE: 280X330X0.05mm PRINT BLACK "MADE IN CHINA" + "10PCS".
⑦	PE BAG	1	CLEAR SIZE: 130X230X0.05mm PRINT BLACK "MADE IN CHINA" + "1PC".
⑥	OUT JACKET	18g	BLACK 45P PVC (MOLD NO: CH003)
	FERRITE	2	CORE OD12*5.6*L20
⑤	OUT JACKET	6g	BLACK PVC-40P (MOULD NO: 2002-527)
④	OUT JACKET	6g	BLACK PVC-40P
③	CABLE	1	BLACK USB2.0 UL2725 28#/1P+24#/2C+AEB OD: 4.7mm
②	CONN	1set	USB A MALE SHELL: NICKEL PIN: G/F 3PCS TYPE INSULATOR COLOR: WHITE
①	CONN	1	MICRO USB 5P B/M SOLDER TYPE SHELL: NICKEL PIN: G/F INSULATOR COLOR: BLACK

**CnC Tech, LLC**  
 Industrial Cable and Connector Technology

DRAWN BY:	DATE: 2018/07/13	DESCRIPTION: 4C CABLE USB A/M+MICRO 5P
CHECKED BY:	SHEET 1 of 1	ITEM NO. As above
APPROVED BY:	SCALE 1:1	REV. A/0 UNIT: mm