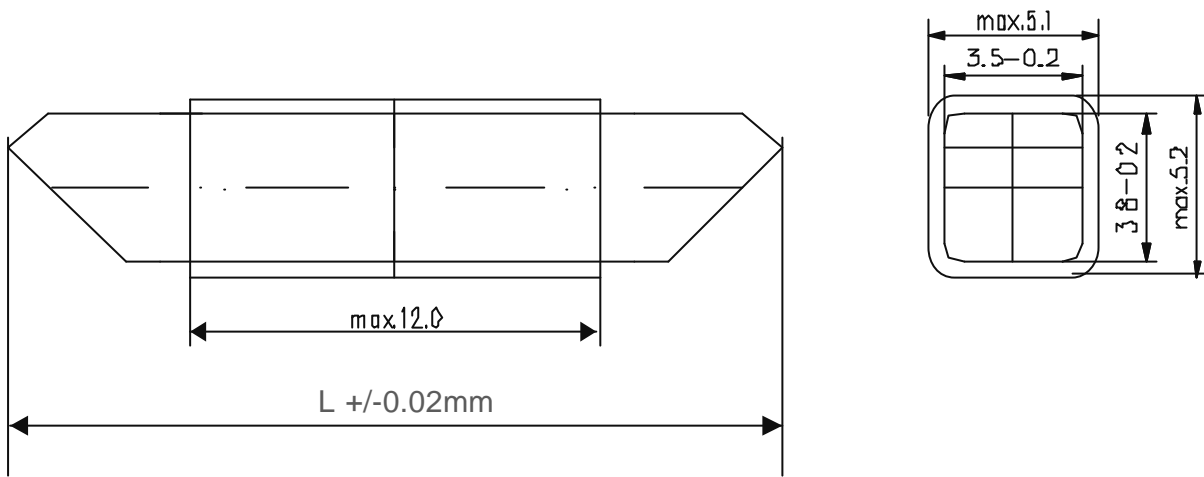


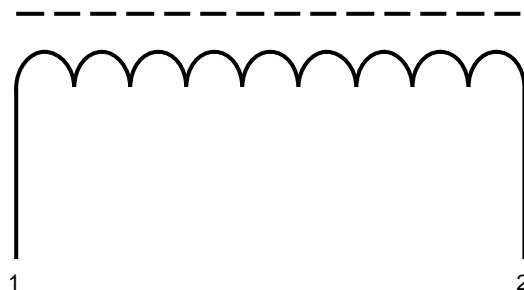
DESCRIPTION

The CMA-XX-XX is a watch antenna designed for single band reception (40kHz, 60kHz, 77.5kHz). Small outside dimension allow easy design in into watch applications.

DIMENSION



CIRCUIT



WATCH ANTENNA – SPECIFICATION**19mm – single frequency for digital modules**

For Core					
1. Material	CL6E (or equivalent)				
For Winding					
	40kHz	60kHz	77.5kHz	Testing condition	Measurement instrument
1. No. of Turns	412 T	228 T	176 T		
1. Inductance	3.19 mH	985 ?H	590 ?H	At resonant f	HP-4284 A
3. Unloaded Q	45 Min	55 Min	60 Min	At resonant f	HP-4284 A
4. Winding type	Solenoid				
5. Wire	? 0.12	? 0.16	? 0.16		
Colour	Red or natural (gold)				

19mm – single frequency for analog modules

For Core					
1. Material	CL6E (or equivalent)				
For Winding					
	40kHz	60kHz	77.5kHz	Testing condition	Measurement instrument
1. No. of Turns	406 T	227 T	173 T		
1. Inductance	3.12 mH	964 ?H	577 ?H	At resonant f	HP-4284 A
3. Unloaded Q	45 Min	55 Min	60 Min	At resonant f	HP-4284 A
4. Winding type	Solenoid				
5. Wire	? 0.12	? 0.15	? 0.16		
Colour	Red or natural (gold)				

23mm – single frequency for digital modules

For Core					
1. Material	M283735236AFX (or equivalent)				
For Winding					
	40kHz	60kHz	77.5kHz	Testing condition	Measurement instrument
1. No. of Turns	371 T	203 T	159 T		
1. Inductance	3.19 mH	985 uH	590 uH	At resonant f	HP-4285A
3. Unloaded Q	50 Min	50 Min	60 Min	At resonant f	HP-4285A
4. Winding type	Solenoid				
5. Wire	? 0.12	? 0.16	? 0.16		
Colour	Red or natural (gold)				

GENERAL INFORMATION - PART NUMBERING

